



Catalog Number See Table
UPC Number
Description Cable Tie - Natural
 175 Lb Tensile Strength



Features

- Durable Nylon 6/6 Material
- Low Profile Locking Head
- Bent Tip for ease of insertion into locking head

General

Material: Nylon 6/6
Flammability: UL94V-2

Dimension Information

Length: See Table
Width: See Table
Bundle Dia: See Table

Specifications

Temperature Rating Negative 40 to 185⁰ F
Voltage Rating 600
Flammability Rating UL 94V-2
Tensile Strength: 175 Lbs

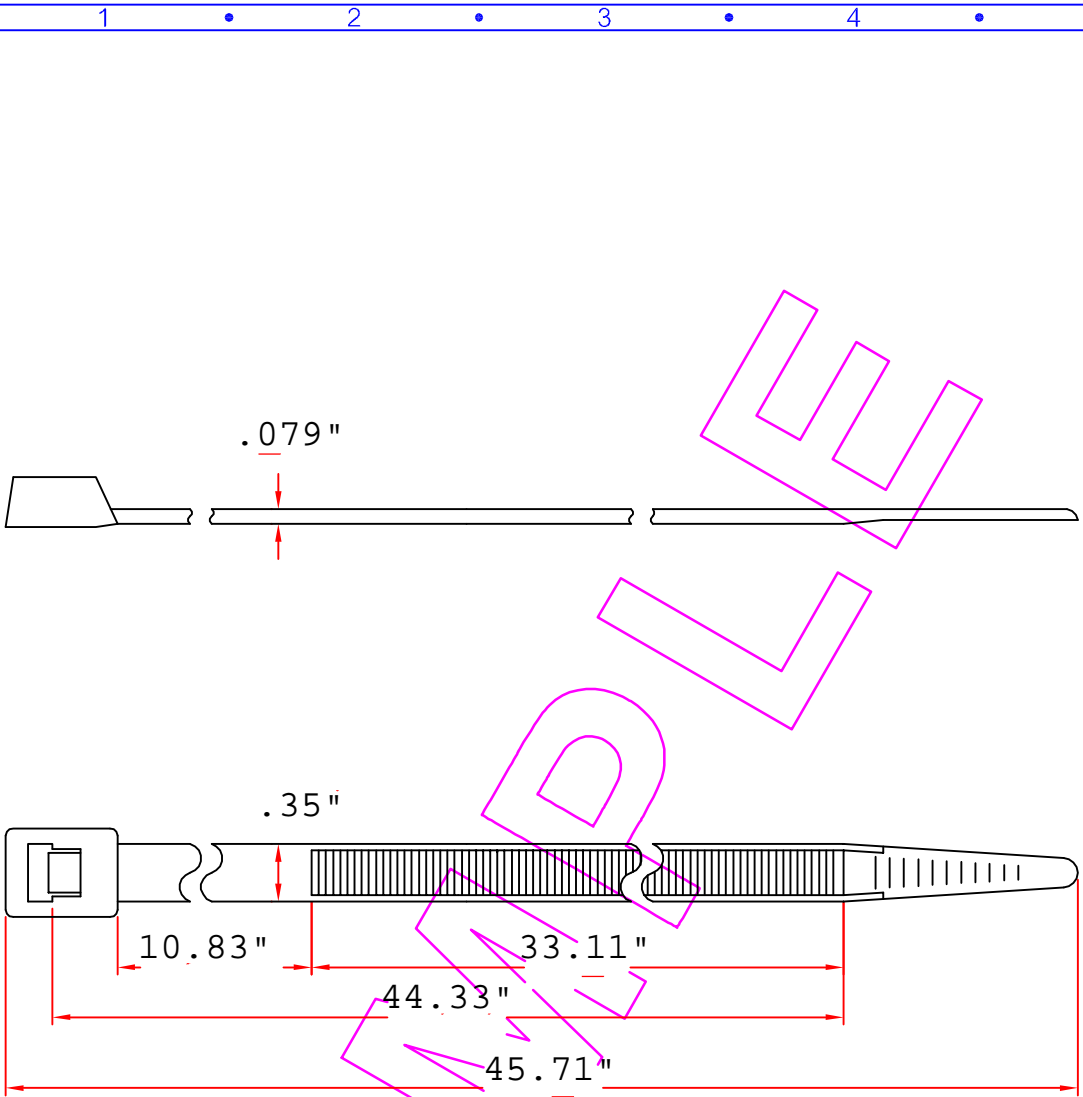
Packaging

Bag Qty 100

Certifications

UL Yes
CSA Yes
ROHS Yes

Cat. No.	Tensil Strength (Lbs.)	Length (Inches)	Width (Inches)	Max Bundle Dia (Inches)	Bag Qty	Master Bag Qty	
20082	175	17 3/4	0.312	5.24	100	100	
20084	175	21 5/8	0.312	6.54	100	100	
20085	175	24	0.351	7.28	100	100	
20086	175	30	0.351	9.29	100	100	
20087	175	36	0.351	10.63	100	100	
20088	175	46	0.351	14.17	100	100	
20089	175	48	0.351	14.96	100	100	



SAMPLE

MATERIAL	UL 94V-2	ITEM NO.	20088
	NYLON 66		

SCALE		Natural	NAME	NYLON CABLE TIE
-------	--	---------	------	-----------------

△	(. .)	Morris Products Queensbury NY	△	06-12-2008 DATE	REVISIONS	K001	R.NO.
---	-------	----------------------------------	---	--------------------	-----------	------	-------