



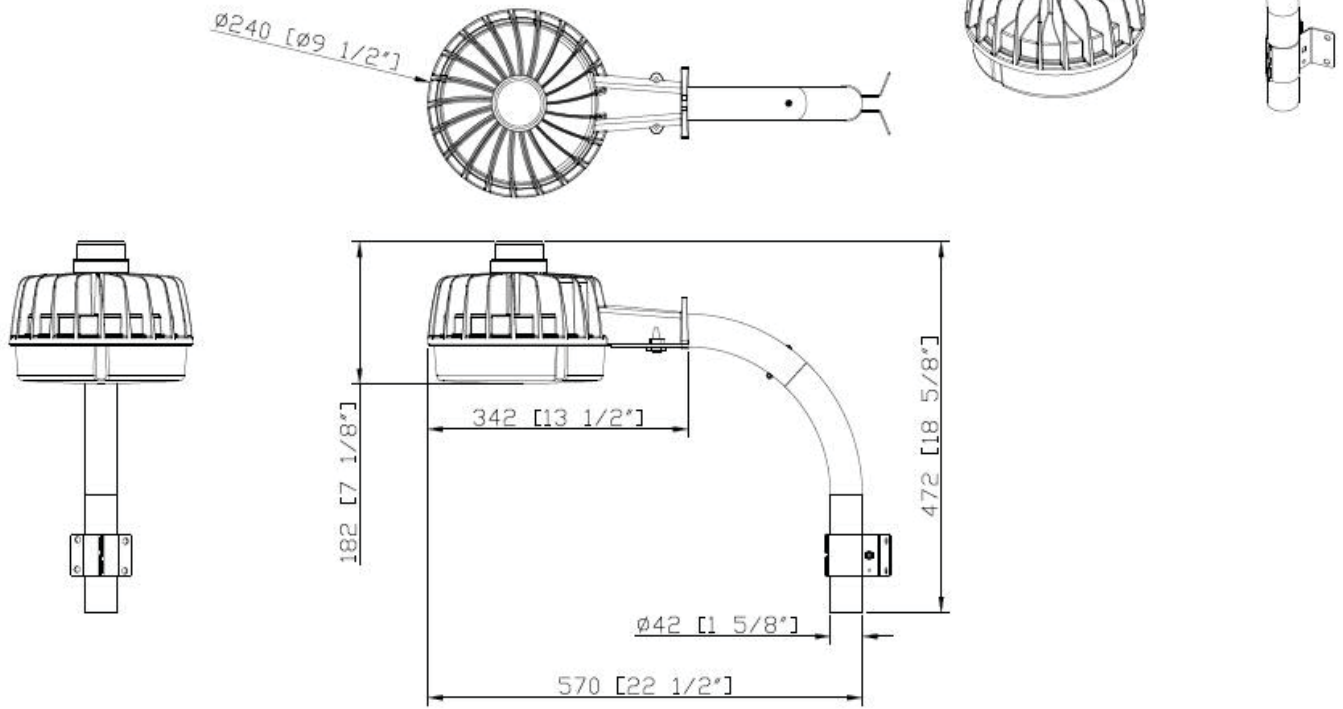
71332
LED Dusk To Dawn
(Area Light)



Model :		71332
OVERALL LAMP PARAMETERS	Input Voltage	100-277VAC
	Input Current	0.4A @120V / 0.2A @277V
	Input Power	48W
	Power Factor	PF≥0.98
	Luminance	5342 LM
	Luminous Efficiency	111 LM/W
	CRI	83
	Beam Angle	135°
	Main Structure	Aluminium + PC
LED DRIVER	Output Voltage	22-36VDC
	Output Current	1.38A
	Driver Efficiency	89%
LED	LED Manufacturer	Philips
	LED Type	3530
	LED Quantity	33PCS
	LED Efficacy	136LM/W
	Color Temperature	WW/NW/CW (5000K)
Photocell	-	dusk-to-dawn, UL listed
LIFESPAN & ENVIRONMENT	Lifespan	50000Hrs.
	Warranty	5 Years
	IP Rating	IP65 Wet Location Rated
	Operating Temperature	-20°C—+55°C
	Storage Temperature.Humidity	-40°C—+80°C , 10—90% RH
SAFETY&EMC	Safety Norms	UL1598,UL8750, EN60598, EN61347-2-13, EN62031, EN62471
	Withstand Voltage	I/P-FG: 2121VDC
	Grounding Resistance	25A 100mΩ
	Electromagnetic Compatibility	EN55015, EN61000-2-3, EN61000-3-3, EN61547
OTHERS	Dimension	Pls refer to attached dimension drawing
	Gross Weight	8.8 Lbs
	Packing Size	inner box: 380x280x195mm, master carton: 395x295x405mm
	Q'ty / Carton	2PCS
	Volume	1.67Cbm/carton

dusk-to-dawn photocell

Dimension : 71332





Report No.: GZE140709-S

NVLAPLAB CODE 201011-0

LM-79-08 Test Report

For

Morris Products Inc.

(Brand Name: Morris)

53 Carey Road
Queensbury, NY 12804

Outdoor Wall-Mounted Area Luminaires

Model name(s): 71332

Test & Report By:

Sean Zhuo

Engineer: Sean Zhuo

Date: Nov.15,2014

Review By:

Tommy Liang

Manager: Tommy Liang

Note: This report does not imply product certification, approval, or endorsement by NVLAP, NIST, or any agency of the Federal Government.

Laboratory: Standard-Tech Co. Ltd Testing Center

NVLAP CODE: 201011-0

Report Format Number STD/QR4909-A/2

Address: 8th floor, Block B, No. 11 Caipin Road, Guangzhou Science City, Tianhe, Guangzhou 510663, China

Tel: 8620-3229 0320

Fax: 8620-32290422

<http://www.standard-tech.com>



U.S. Department of Energy

Lighting Facts™ Uniform LM-79 Reporting Template

Laboratory Information:

Name of Test Laboratory	Standard-Tech Co. Ltd
Date of Test Report	Nov.15,2014
Test Report No.	GZE140709-S
Laboratory Contact Name	Tommy Liang

Product Information:

Organization Name	Morris Products Inc.	
Brand Name	Morris	
Model Number	71332	
SKU (if available)	N/A	
Type of Luminaire (for integral lamps, list base type and lamp type)	Outdoor Wall-Mounted Area Luminaires	
Luminaire Aperture (for downlights)	--	in.
Luminaire Length	--	mm
Luminaires Width	--	mm
Number of Units (modular products)	N/A	s

	Integrating Sphere	Goniophotometer	
Electrical Measurements:	Output	Output	
Input Wattage	48.06	--	W
Input Current	0.4096	--	A
Input Voltage (ac)	120.0	--	V
Power Factor	0.9842	--	
Off-State Power	0	--	W

Photometric Characteristics

Total Initial Lumen Output	5342	--	lm
Initial Lumen Efficacy	111.16	--	lm/w
Correlated color temperature / CCT	4969	--	K
Color rendering index / CRI	83.1	--	
R9 Value	8	--	
Duv	0.0039	--	

Luminous Intensity Distribution

Center beam candlepower (if applicable)		--
Beam angle (if applicable)		--
Zonal lumens in the 0°-60° zone		--
Zonal lumens in the 60°-90° zone	-----	--
Zonal lumens in the 90°-120° zone		--
Zonal lumens in the 120°-180° zone		--

Laboratory: Standard-Tech Co. Ltd Testing Center

NVLAP CODE: 201011-0

Report Format Number STD/QR4909-A/2

Address: 8th floor, Block B, No. 11 Caipin Road, Guangzhou Science City, Tianhe, Guangzhou 510663, China

Tel: 8620-3229 0320 Fax: 8620-32290422 <http://www.standard-tech.com>

Test Specifications:	
Date of Receipt	: Oct.26,2014
Date of Test	: Oct.27,2014
Test item	: Total Luminous Flux, Luminous Distribution Intensity, Luminous Efficacy, Correlated Color Temperature, Color Rendering Index, Chromaticity Coordinate, Electrical parameters
Reference Standard	IES LM-79-2008 Electrical and Photometric Measurements of Solid-State Lighting Products ANSI C78.377-2008 Specifications for the Chromaticity of Solid State Lighting Products CIE 13.3-1995 Method of Measuring and Specifying Color Rendering Properties of Light Sources CIE 15-2004 Technical Report Colorimetry IESNA LM-16-93 Practical Guide to Colorimetry of Light Source IESNA TM-16-05 Technical Memorandum on Light Emitting Diode (LED) Sources and Systems
Reference Work Instruction	QD25

Test Methods

1. Photometric and Electrical measurements – Light Distribution Method:

Photometric parameters were measured using the goniophotometer and software. The ambient temperature shall be maintained at $25^{\circ}\text{C} \pm 1^{\circ}\text{C}$, measured at a point not more than 1 m from the sample and at the same height as the sample. The sample was operated at 120 Volts AC, 60Hz. It was stabilized before measurement was made. Luminous flux, luminaire efficacy, zonal lumen were calculated from the software taken at 1° vertical intervals and 22.5° horizontal intervals.

2. Photometric and Electrical Measurements – Integrating Sphere Method:

Photometric parameters were measured using an integrating sphere, a spectroradiometer and software. The ambient temperature condition inside the sphere was maintained at $25^{\circ}\text{C} \pm 1^{\circ}\text{C}$. The sample measurements were made using a spectroradiometer connected by a fiber optic cable and detector through the detector port of the integrating sphere. The sample was operated at 120 Volts AC, 60Hz. It was stabilized before measurement was made. Chromaticity coordinates, correlated color temperature and color rendering index were calculated from the spectral radiant flux measurements taken at least 5 nm intervals over the range of 380 to 780 nm.

Laboratory: Standard-Tech Co. Ltd Testing Center

NVLAP CODE: 201011-0

Report Format Number STD/QR4909-A/2

Address: 8th floor, Block B, No. 11 Caipin Road, Guangzhou Science City, Tianhe, Guangzhou 510663, China

Tel: 8620-3229 0320 Fax: 8620-32290422 <http://www.standard-tech.com>

1. Product Information:

Brand Name	Morris
Model Number	71332
Luminaire Type	Outdoor Wall-Mounted Area Luminaires
Rated Voltage / Frequency	120 ~ 277 Vac, 50/60 Hz
Nominal Power	50W
Rated Initial Lamp Lumen	--
Declared CCT	5000K
LED Manufacturer	PHILIPS
LED Model	LUXEON 3535 2D
Sample Receipt Date	Oct.26,2014
Sample Number	46 (5000K)

Photo



Laboratory: Standard-Tech Co. Ltd Testing Center

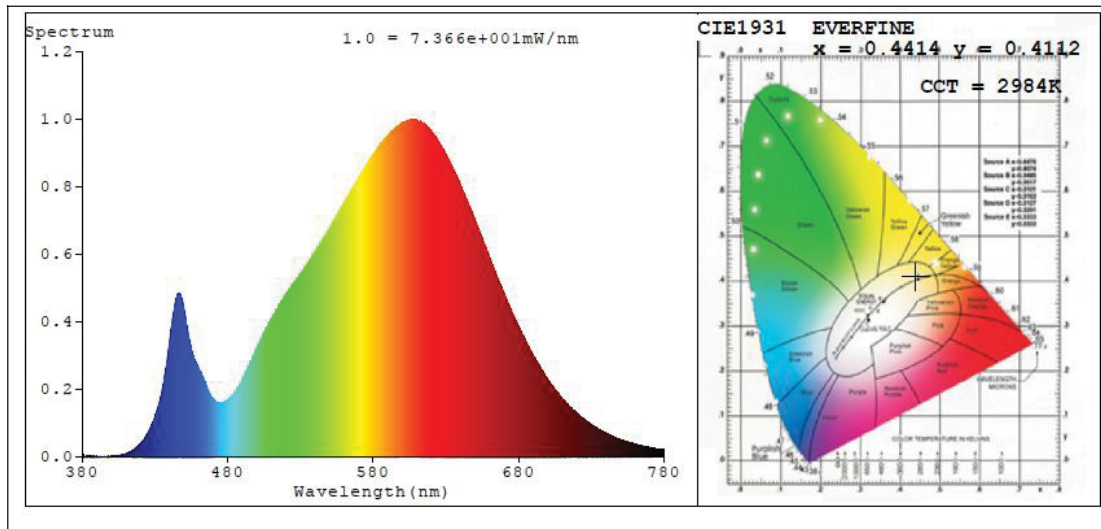
NVLAP CODE: 201011-0

Report Format Number STD/QR4909-A/2

Address: 8th floor, Block B, No. 11 Caipin Road, Guangzhou Science City, Tianhe, Guangzhou 510663, China

 Tel: 8620-3229 0320 Fax: 8620-32290422 <http://www.standard-tech.com>

Spectral Power Distribution and Chromaticity Diagram



Laboratory: Standard-Tech Co. Ltd Testing Center
NVLAP CODE: 201011-0

Report Format Number STD/QR4909-A/2

Address: 8th floor, Block B, No. 11 Caipin Road, Guangzhou Science City, Tianhe, Guangzhou 510663, China

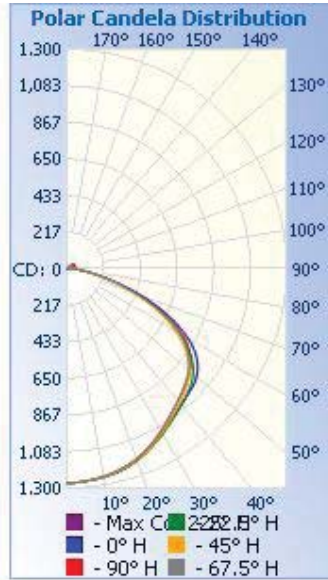
Tel: 8620-3229 0320 Fax: 8620-32290422 <http://www.standard-tech.com>

Zonal Lumen Tabulation

Zonal Lumen Summary			
Zone	Lumens	% Lamp	% Luminaire
0-30	1,018.2	22.1%	22.1%
0-40	1,700.1	37%	37%
0-60	3,308.4	71.9%	71.9%
60-90	1,166.4	25.4%	25.4%
70-100	491.4	10.7%	10.7%
90-120	73.8	1.6%	1.6%
0-90	4,474.9	97.3%	97.3%
90-180	124.4	2.7%	2.7%
0-180	4,599.3	100%	100%

Lumens Per Zone					
Zone	Lumens	% Total	Zone	Lumens	% Total
0-10	121.0	2.6%	90-100	20.0	0.4%
10-20	351.8	7.6%	100-110	23.4	0.5%
20-30	545.3	11.9%	110-120	30.4	0.7%
30-40	682.0	14.8%	120-130	24.5	0.5%
40-50	780.5	17.0%	130-140	15.5	0.3%
50-60	827.8	18.0%	140-150	7.3	0.2%
60-70	695.0	15.1%	150-160	2.5	0.1%
70-80	360.3	7.8%	160-170	0.7	0%
80-90	111.2	2.4%	170-180	0.2	0%

Photometric Data



Illuminance Plots



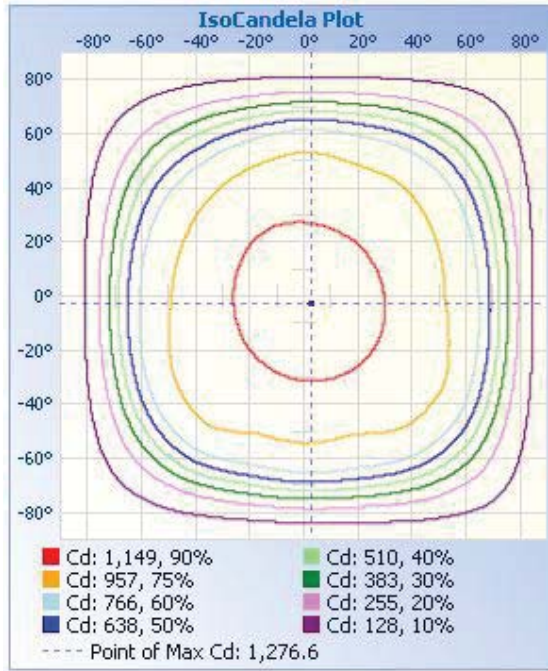
Laboratory: Standard-Tech Co. Ltd Testing Center
NVLAP CODE: 201011-0

Report Format Number STD/QR4909-A/2

Address: 8th floor, Block B, No. 11 Caipin Road, Guangzhou Science City, Tianhe, Guangzhou 510663, China

Tel: 8620-3229 0320 Fax: 8620-32290422 <http://www.standard-tech.com>

ISOCANDELA DIAGRAM



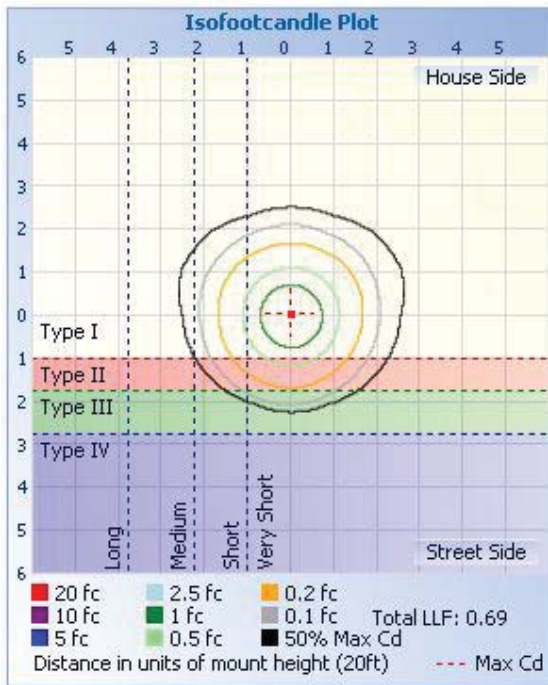
ISOLUX DIAGRAM

Laboratory: Standard-Tech Co. Ltd Testing Center
NVLAP CODE: 201011-0

Report Format Number STD/QR4909-A/2

Address: 8th floor, Block B, No. 11 Caipin Road, Guangzhou Science City, Tianhe, Guangzhou 510663, China

Tel: 8620-3229 0320 Fax: 8620-32290422 <http://www.standard-tech.com>



Laboratory: Standard-Tech Co. Ltd Testing Center
NVLAP CODE: 201011-0

Report Format Number STD/QR4909-A/2

Address: 8th floor, Block B, No. 11 Caipin Road, Guangzhou Science City, Tianhe, Guangzhou 510663, China

Tel: 8620-3229 0320 Fax: 8620-32290422 <http://www.standard-tech.com>

2.2 Electrical, Photometric and Chromaticity Measurements <i>(Refer to Work Instruction QD25)</i>	IES LM-79 2008
---	-----------------------

Test date	2014-10-27	Test Ambient:	25.2 °C
Test Orientation	As intended	Stabilization Time (min)	90
Model Number	71332		

Electrical Measurement:

Sample No.	Voltage (Vac)	Frequency (Hz)	Current (A)	Power (W)	Power Factor	THD %
140709-46	120.0	60	0.4096	48.06	0.9842	10.22
	277.1	60	0.1934	48.79	0.9105	14.83

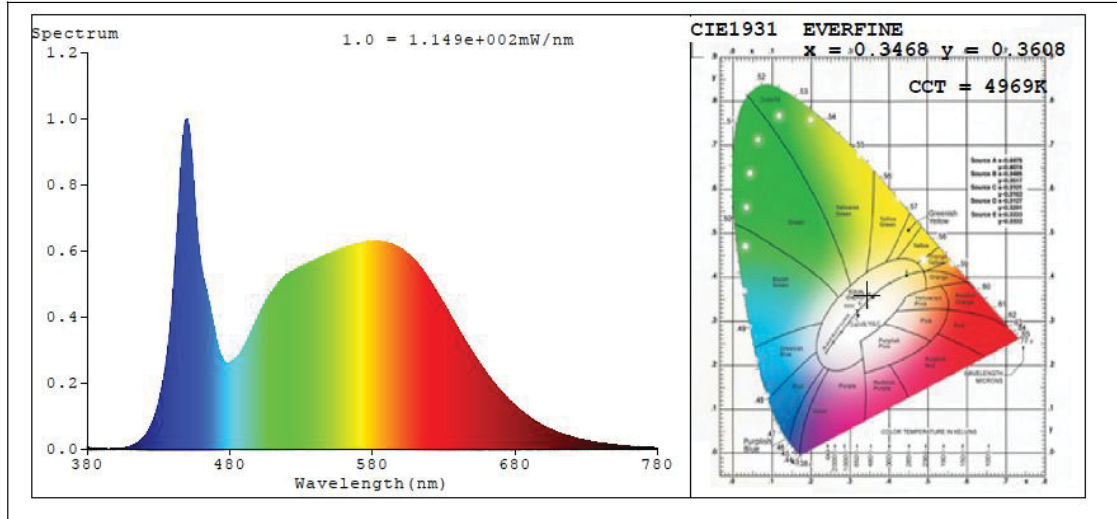
Sphere-Spectroradiometer Method:

Parameter	Result
Test Voltage (V)	120.0
Frequency (Hz)	60
Color Rendering Index (CRI)	83.1
R9	8
CCT (K)	4969
Chromaticity (x, y)	x=0.3468 y=0.3608
Chromaticity (u', v')	u'=0.2090 v'=0.4893
Duv	0.0039
Total Luminous (lm)	5342
Luminous Efficacy (lm/W)	111.16

Special Color Rendering Indices			
R1	81	R9	8
R2	88	R10	72
R3	93	R11	81
R4	82	R12	58
R5	81	R13	83
R6	83	R14	97
R7	88	R15	75
R8	68	--	--

Spectral Power Distribution and Chromaticity Diagram

Spectral Power Distribution:



Laboratory: Standard-Tech Co. Ltd Testing Center
NVLAP CODE: 201011-0

Report Format Number STD/QR4909-A/2

Address: 8th floor, Block B, No. 11 Caipin Road, Guangzhou Science City, Tianhe, Guangzhou 510663, China

Tel: 8620-3229 0320 Fax: 8620-32290422 <http://www.standard-tech.com>

3. Test Equipment

Equipment ID	Equipment Name	Last Calibration Date	Next Calibration Date
ST-R-336	2 meter Integrating Sphere	2014-07-01	2015-06-30
ST-R-331	Spectral analysis system HAAS-2000	2014-07-01	2015-06-30
D204	Standard Lamp	2014-07-01	2015-06-30
PF2010	Power Meter for Integrating Sphere	2014-07-01	2015-06-30
EE-09	Goniophotometer system	2014-07-01	2015-06-30
D908S	Standard Lamp	2014-07-01	2015-06-30
PF210	Power Meter for Goniophotometer	2014-07-01	2015-06-30
ST-R-181A	Temperature Tester	2014-07-01	2015-06-30

******* END OF DATASHEET PACKAGE *******

Laboratory: Standard-Tech Co. Ltd Testing Center
NVLAP CODE: 201011-0

Report Format Number STD/QR4909-A/2

Address: 8th floor, Block B, No. 11 Caipin Road, Guangzhou Science City, Tianhe, Guangzhou 510663, China

Tel: 8620-3229 0320 Fax: 8620-32290422 <http://www.standard-tech.com>