

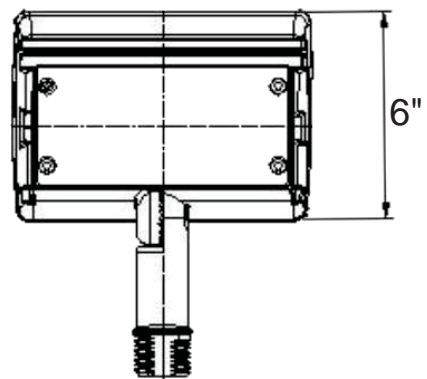
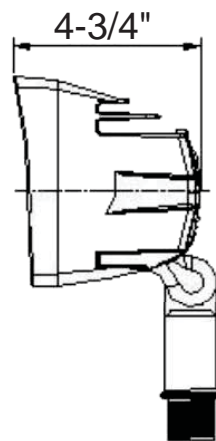
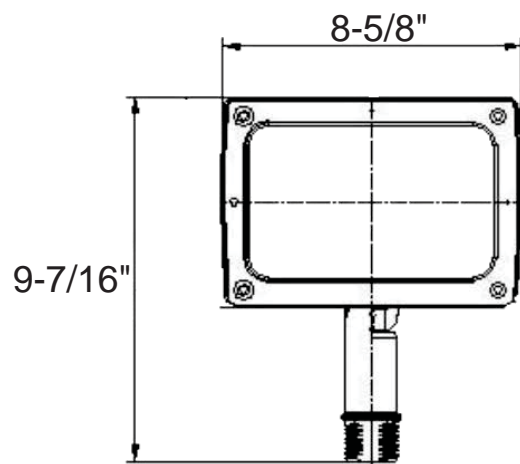


**71343  
LED Floodlight**



<b>Model :</b>		<b>71343</b>
OVERALL LAMP PARAMETERS	Input Voltage	100-277VAC 50/60HZ
	Input Current	0.38AMax
	Input Power	29 W
	Power Factor	PF≥0.90
	Luminance	2732 LM
	Luminous Efficiency	94 LM/W
	CRI	83
	Beam Angle	120°
	Main Structure	Aluminium + Tempered Glass
LED DRIVER	Output Voltage	24-45VDC
	Output Current	0.7A
	Driver Efficiency	89%
LED	LED Manufacturer	cree
	LED Type	CXA1512
	LED Quantity	2 PCS
	LED Efficacy	110 LM/W
	Color Temperature	WW/NW/CW (5000K)
Photocell	-	Sold Separately
LIFESPAN & ENVIRONMENT	Lifespan	50000Hrs.
	Warranty	5 Years
	IP Rating	IP65 Wet Locations
	Operating Temperature	-40F - +131F
	Storage Temperature.Humidity	-40F - +176F , 10—90% RH
SAFETY&EMC	Safety Norms	UL1598,UL8750, EN60598, EN61347-2-13, EN62031, EN62471
	Withstand Voltage	I/P-FG: 2121VDC
	Grounding Resistance	≤0.5Ω,OK
	Electromagnetic Compatibility	EN55015, EN61000-2-3, EN61000-3-3, EN61547
OTHERS	Dimension	Pls refer to attached dimension drawing
	Gross Weight	5.9 Lbs
	Packing Size	inner box: L238*W212*H145 master carton: 490*440*300
	Q'ty / Carton	8PCS
	Volume	2.28Cbm/carton

Dimension : **71343**





Report No.: GZE140709-K

## LM-79-08 Test Report

For

Morris Products Inc.  
53 Carey Rd.  
Queensbury, NY 12804

## Architectural Flood and Spot Luminaires

Model name(s): 71342, 71343

Representative (Tested) Model: 71342

Model Difference: All construction and rating are the same, except CCT

Test & Report By:

*Sean Zhuo*

Engineer: Sean Zhuo

Date: Jul.29,2014

Review By:

*Tommy Liang*

Manager: Tommy Liang

Note: This report does not imply product certification, approval, or endorsement by NVLAP, NIST, or any agency of the Federal Government.

**Laboratory: Standard-Tech Co. Ltd Testing Center**  
**NVLAP CODE: 201011-0**

Report Format Number STD/QR4909-A/2

Address: 8th floor, Block B, No. 11 Caipin Road, Guangzhou Science City, Tianhe, Guangzhou 510663, China

Tel: 8620-3229 0320 Fax: 8620-32290422 <http://www.standard-tech.com>

U.S. Department of Energy

**Lighting Facts™ Uniform LM-79 Reporting Template**

**Laboratory Information:**

Name of Test Laboratory	Standard-Tech Co. Ltd
Date of Test Report	Jul.29,2014
Test Report No.	GZE140709-K
Laboratory Contact Name	Tommy Liang

**Product Information:**

Organization Name	Morris Products Inc.	
Brand Name	MORRIS	
Model Number	71342	
SKU (if available)	N/A	
Type of Luminaire (for integral lamps, list base type and lamp type)	Architectural Flood and Spot Luminaires	
Luminaire Aperture (for downlights)	--	in.
Luminaire Length	--	mm
Luminaires Width	--	mm
Number of Units (modular products)	N/A	s

	Integrating Sphere Output	Goniophotometer Output	
<b>Electrical Measurements:</b>			
Input Wattage	28.84	--	W
Input Current	0.2451	--	A
Input Voltage (ac)	120.0	--	V
Power Factor	0.9804	--	
Off-State Power	0	--	W

**Photometric Characteristics**

Total Initial Lumen Output	2732.7	--	lm
Initial Lumen Efficacy	94.75	--	lm/w
Correlated color temperature / CCT	5019	--	K
Color rendering index / CRI	83.5	--	
R9 Value	16	--	
Duv	0.0019	--	
<b>Luminous Intensity Distribution</b>			
Center beam candlepower (if applicable)		--	
Beam angle (if applicable)		--	
Zonal lumens in the 0°-60° zone	-----	--	
Zonal lumens in the 60°-90° zone		--	
Zonal lumens in the 90°-120° zone		--	
Zonal lumens in the 120°-180° zone		--	

**Laboratory: Standard-Tech Co. Ltd Testing Center**  
**NVLAP CODE: 201011-0**

Report Format Number STD/QR4909-A/2

Address: 8th floor, Block B, No. 11 Caipin Road, Guangzhou Science City, Tianhe, Guangzhou 510663, China

Tel: 8620-3229 0320 Fax: 8620-32290422 <http://www.standard-tech.com>

Test Specifications:	
Date of Receipt	: Jul.28,2014
Date of Test	: Jul.29,2014
Test item	: Total Luminous Flux, Luminous Distribution Intensity, Luminous Efficacy, Correlated Color Temperature, Color Rendering Index, Chromaticity Coordinate, Electrical parameters
Reference Standard	IES LM-79-2008 Electrical and Photometric Measurements of Solid-State Lighting Products ANSI C78.377-2008 Specifications for the Chromaticity of Solid State Lighting Products CIE 13.3-1995 Method of Measuring and Specifying Colour Rendering Properties of Light Sources CIE 15-2004 Technical Report Colorimetry IESNA LM-16-93 Practical Guide to Colorimetry of Light Source IESNA TM-16-05 Technical Memorandum on Light Emitting Diode (LED) Sources and Systems
Reference Work Instruction	QD25

### Test Methods

#### 1. Photometric and Electrical measurements – Light Distribution Method:

Photometric parameters were measured using the goniophotometer and software. The ambient temperature shall be maintained at  $25^{\circ}\text{C} \pm 1^{\circ}\text{C}$ , measured at a point not more than 1 m from the sample and at the same height as the sample. The sample was operated at 120 Volts AC, 60Hz. It was stabilized before measurement was made. Luminous flux, luminaire efficacy, zonal lumen were calculated from the software taken at  $1^{\circ}$  vertical intervals and  $22.5^{\circ}$  horizontal intervals.

#### 2. Photometric and Electrical Measurements – Integrating Sphere Method:

Photometric parameters were measured using an integrating sphere, a spectroradiometer and software. The ambient temperature condition inside the sphere was maintained at  $25^{\circ}\text{C} \pm 1^{\circ}\text{C}$ . The sample measurements were made using a spectroradiometer connected by a fiber optic cable and detector through the detector port of the integrating sphere. The sample was operated at 120 Volts AC, 60Hz. It was stabilized before measurement was made. Chromaticity coordinates, correlated color temperature and color rendering index were calculated from the spectral radiant flux measurements taken at least 5 nm intervals over the range of 380 to 780 nm.

**1. Product Information:**

Brand Name	MORRIS
Model Number	71342
Luminaire Type	Architectural Flood and Spot Luminaires
Rated Voltage / Frequency	100 ~ 277 Vac, 50/60 Hz
Nominal Power	30W
Rated Initial Lamp Lumen	--
Declared CCT	3000K,3500K,4000K,4500K,5000K
LED Manufacturer	CREE
LED Model	CXA1512
Sample Receipt Date	Jul.28,2014
Sample Number	140709-29(3000K),30 (5000K)

**Photo**



**Laboratory: Standard-Tech Co. Ltd Testing Center  
NVLAP CODE: 201011-0**

Report Format Number STD/QR4909-A/2

Address: 8th floor, Block B, No. 11 Caipin Road, Guangzhou Science City, Tianhe, Guangzhou 510663, China

Tel: 8620-3229 0320 Fax: 8620-32290422 <http://www.standard-tech.com>

<b>2.1 Electrical, Photometric and Chromaticity Measurements</b> (Refer to Work Instruction QD25)	<b>IES LM-79 2008</b>
--	-----------------------

<b>Test date</b>	2014-07-29	<b>Test Ambient:</b>	25.2 °C
<b>Test Orientation</b>	Lighting Downward, light surface parallel to horizontal line	<b>Stabilization Time (min)</b>	90
<b>Model Number</b>	71342		

**Electrical Measurement:**

Sample No.	Voltage (Vac)	Frequency (Hz)	Current (A)	Power (W)	Power Factor	THD %
140709-29	120.0	60	0.2498	29.35	0.9793	12.25
	277.0	60	0.1198	30.20	0.9100	16.69

**Sphere-Spectroradiometer Method:**

Parameter	Result
Test Voltage (V)	120.0
Frequency (Hz)	60
Color Rendering Index (CRI)	82.9
R9	12
CCT (K)	3124
Chromaticity (x, y)	x=0.4313 y=0.4074
Chromaticity (u', v')	u'=0.2456 v'=0.5218
Duv	0.0021

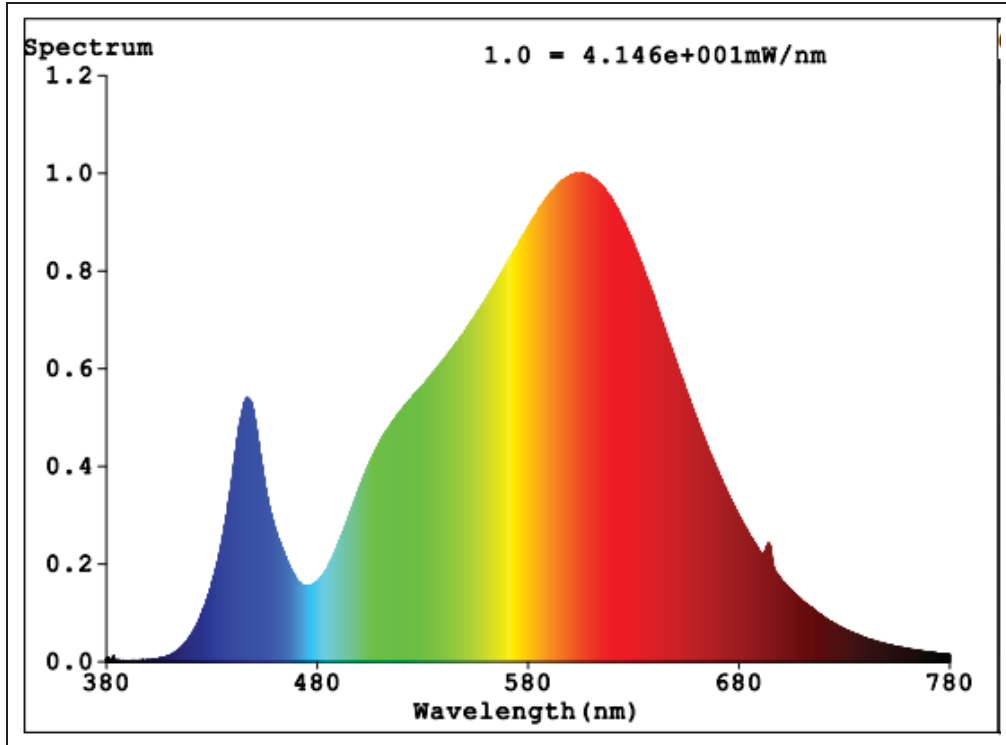
Special Color Rendering Indices			
R1	81	R9	12
R2	88	R10	74
R3	96	R11	82
R4	83	R12	69
R5	81	R13	82
R6	85	R14	97
R7	86	R15	74
R8	63	--	--

**Goniophotometer Method:**

Parameter	Result
Test Voltage (V)	120.0
Frequency (Hz)	60
Total Luminous (lm)	2275.5
Luminous Efficacy (lm/W)	77.53
Beam Angle°	105.1
Center Beam Candle Power (cd)	1047
S/MH(C0/180)	1.21
S/MH(C90/270)	1.18

**Spectral Power Distribution**

Spectral Power Distribution:



**Laboratory: Standard-Tech Co. Ltd Testing Center**  
**NVLAP CODE: 201011-0**

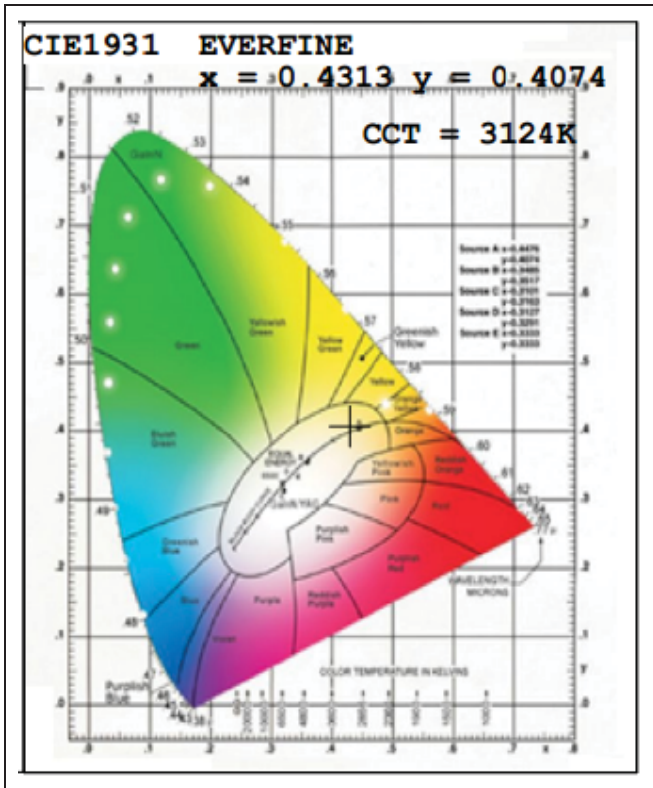
Report Format Number STD/QR4909-A/2

Address: 8th floor, Block B, No. 11 Caipin Road, Guangzhou Science City, Tianhe, Guangzhou 510663, China

Tel: 8620-3229 0320 Fax: 8620-32290422 <http://www.standard-tech.com>



**Chromaticity Diagram**



Laboratory: Standard-Tech Co. Ltd Testing Center  
NVLAP CODE: 201011-0

Report Format Number STD/QR4909-A/2

Address: 8th floor, Block B, No. 11 Caipin Road, Guangzhou Science City, Tianhe, Guangzhou 510663, China

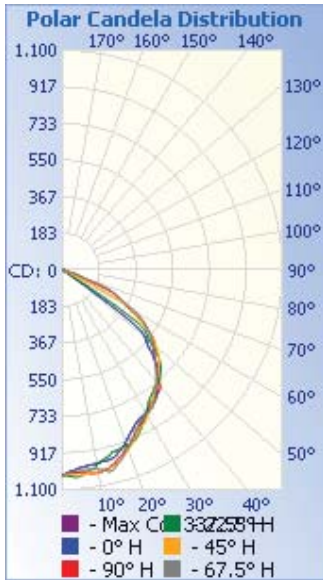
Tel: 8620-3229 0320 Fax: 8620-32290422 <http://www.standard-tech.com>

<b>Zonal Lumen Tabulation</b>
-------------------------------

Zonal Lumen Summary			
Zone	Lumens	% Lamp	% Luminaire
0-30	784.7	34.5%	34.5%
0-40	1,275.2	56%	56%
0-60	2,133.5	93.8%	93.8%
60-90	137.3	6%	6%
70-100	17.1	0.8%	0.8%
90-120	0.6	0%	0%
0-90	2,270.8	99.8%	99.8%
90-180	4.9	0.2%	0.2%
0-180	2,275.7	100%	100%

Lumens Per Zone					
Zone	Lumens	% Total	Zone	Lumens	% Total
0-10	97.5	4.3%	90-100	0.0	0%
10-20	277.8	12.2%	100-110	0.2	0%
20-30	409.5	18.0%	110-120	0.4	0%
30-40	490.5	21.6%	120-130	0.8	0%
40-50	505.3	22.2%	130-140	1.0	0%
50-60	353.0	15.5%	140-150	1.0	0%
60-70	120.2	5.3%	150-160	0.8	0%
70-80	14.8	0.7%	160-170	0.6	0%
80-90	2.3	0.1%	170-180	0.2	0%

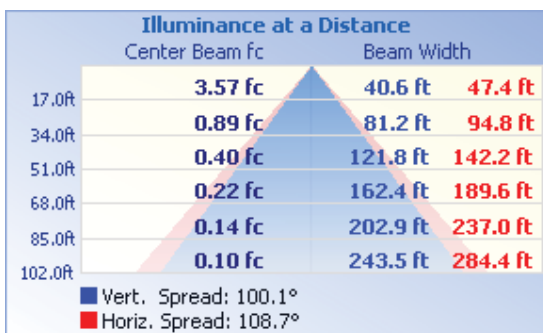
### Photometric Data



#### Flood Summary

	Efficiency	Lumens	Horizontal Spread	Vertical Spread
Field (10%):	98.3%	2,235.8	138.3	110.1
Beam (50%):	83.4%	1,897.5	108.7	100.1
<b>Total:</b>	<b>100%</b>	<b>2,275.1</b>		

### Illuminance Plots



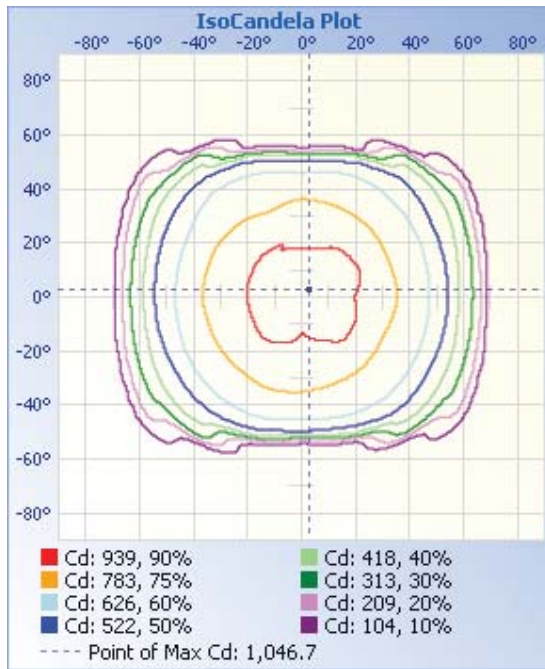
Laboratory: Standard-Tech Co. Ltd Testing Center  
NVLAP CODE: 201011-0

Report Format Number STD/QR4909-A/2

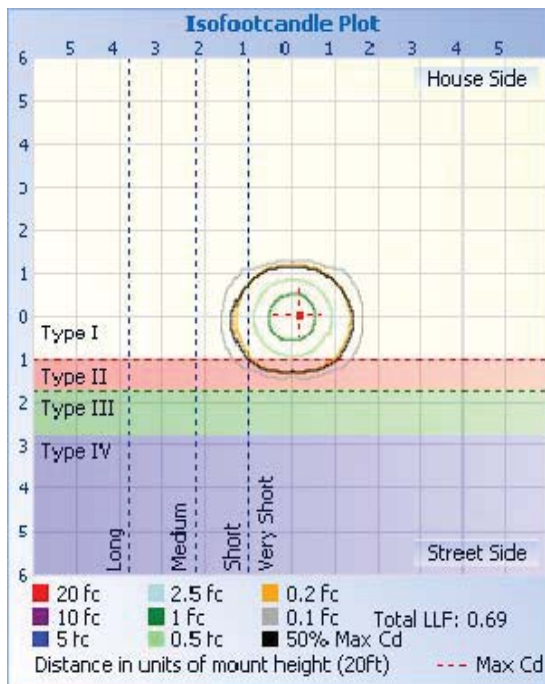
Address: 8th floor, Block B, No. 11 Caipin Road, Guangzhou Science City, Tianhe, Guangzhou 510663, China

Tel: 8620-3229 0320 Fax: 8620-32290422 <http://www.standard-tech.com>

### ISOCANDELA DIAGRAM



### ISOLUX DIAGRAM



Laboratory: Standard-Tech Co. Ltd Testing Center  
 NVLAP CODE: 201011-0

Report Format Number STD/QR4909-A/2

Address: 8th floor, Block B, No. 11 Caipin Road, Guangzhou Science City, Tianhe, Guangzhou 510663, China

Tel: 8620-3229 0320 Fax: 8620-32290422 <http://www.standard-tech.com>

**Candela Table - Type C**

	0	22.5	45	67.5	90	112.5	135	157.5	180	202.5	225	247.5	270	292.5	315	337.5	360
0	1032	1032	1032	1032	1032	1032	1032	1032	1032	1032	1032	1032	1032	1032	1032	1032	1032
1	1023	1032	1032	1020	1030	1033	1028	1025	1037	1012	1028	1040	1035	1030	1032	1032	1023
2	1013	1036	1028	1020	1021	1036	1031	1023	1036	1010	1028	1036	1038	1033	1040	1034	1013
3	1012	1041	1030	1017	1018	1033	1026	1032	1034	1007	1025	1035	1029	1038	1044	1041	1012
4	1003	1044	1036	1007	1022	1033	1022	1032	1033	999	1025	1021	1030	1040	1044	1040	1003
5	999	1040	1036	1007	1019	1032	1019	1035	1031	991	1020	1014	1025	1042	1045	1047	999
6	995	1032	1033	1012	1020	1039	1026	1038	1018	995	1016	1020	1017	1041	1042	1039	995
7	992	1022	1026	1010	1027	1042	1024	1037	1008	985	1011	1012	1014	1037	1041	1040	992
8	990	1010	1034	1012	1035	1037	1025	1032	994	989	1002	1014	1017	1032	1031	1041	990
9	989	1013	1033	1012	1033	1033	1030	1019	976	979	997	1010	1018	1033	1030	1034	989
10	986	994	1030	1017	1035	1036	1035	1015	970	979	994	1003	1019	1036	1028	1029	986
11	986	980	1033	1022	1033	1041	1031	1013	954	982	992	1004	1024	1028	1025	1029	986
12	980	977	1029	1029	1025	1037	1025	996	945	986	989	998	1022	1031	1016	1014	980
13	983	966	1029	1041	1026	1028	1024	984	939	976	988	1002	1015	1021	1018	1001	983
14	981	964	1020	1037	1013	1026	1017	968	928	970	986	1007	1009	1015	1014	997	981
15	978	950	1017	1025	1006	1019	1010	968	925	953	983	1003	985	998	1014	982	978
16	972	947	1006	1010	993	1008	1000	955	924	946	985	996	972	983	1006	974	972
17	957	945	995	1000	983	995	987	944	918	933	981	984	970	972	1000	965	957
18	948	942	982	985	973	968	974	927	913	922	971	971	955	964	993	950	948
19	936	937	973	964	958	950	960	924	909	907	970	960	940	964	986	944	936
20	921	937	962	954	942	938	946	920	902	901	961	955	931	964	973	936	921
21	909	943	949	941	941	926	939	916	893	889	951	942	926	952	959	931	909
22	894	936	932	918	928	925	919	914	883	876	932	928	921	957	948	928	894
23	882	930	922	909	916	909	905	914	871	873	916	908	908	949	938	931	882
24	870	916	909	895	892	903	900	896	863	866	891	903	897	931	922	918	870
25	857	904	898	878	885	891	887	889	857	863	873	888	892	920	915	918	857
26	851	893	883	865	879	878	876	883	838	852	859	862	889	903	897	908	851
27	843	874	879	854	862	870	863	865	831	850	846	846	885	885	888	895	843
28	839	861	874	851	853	863	857	860	820	839	828	834	873	871	879	888	839
29	836	849	862	842	845	851	848	850	810	829	823	824	863	852	863	881	836

**Laboratory: Standard-Tech Co. Ltd Testing Center**  
**NVLAP CODE: 201011-0**

Report Format Number STD/QR4909-A/2

Address: 8th floor, Block B, No. 11 Caipin Road, Guangzhou Science City, Tianhe, Guangzhou 510663, China

Tel: 8620-3229 0320 Fax: 8620-32290422 <http://www.standard-tech.com>

30	830	835	849	832	837	834	836	837	809	823	817	816	848	842	851	868	830
31	829	822	838	835	823	832	828	830	803	812	807	797	841	827	844	853	829
32	823	808	828	826	810	818	811	822	804	799	798	785	824	811	822	838	823
33	819	791	816	825	806	812	804	808	797	787	788	778	808	798	812	827	819
34	814	780	803	813	799	797	788	796	791	779	776	769	795	785	798	808	814
35	803	774	792	808	796	787	780	787	780	764	763	760	784	775	788	794	803
36	796	765	778	794	790	775	769	779	772	758	753	751	774	768	772	780	796
37	782	761	769	777	784	768	755	769	759	749	739	741	761	759	758	771	782
38	769	748	763	762	780	755	753	759	746	736	726	730	751	752	740	751	769
39	750	746	752	747	774	739	743	747	728	729	710	720	738	742	730	747	750
40	739	745	731	732	758	732	734	734	709	724	699	708	729	735	717	730	739
41	724	738	721	717	738	721	720	722	702	712	690	700	718	713	701	722	724
42	712	727	718	702	717	707	701	709	685	700	677	684	699	708	686	716	712
43	695	717	704	686	705	691	686	693	667	684	666	673	682	700	681	703	695
44	680	705	686	673	684	679	671	673	643	666	653	656	677	684	670	697	680
45	659	697	686	659	664	659	650	655	609	647	644	640	657	667	652	690	659
46	638	683	677	639	644	639	631	637	583	623	633	629	642	650	641	679	638
47	615	663	659	629	628	620	614	612	567	593	619	617	622	631	628	662	615
48	583	644	651	615	618	599	595	584	550	565	602	602	613	612	621	635	583
49	560	617	633	603	605	584	577	562	530	544	587	584	597	595	613	607	560
50	548	585	619	590	600	568	561	542	504	521	570	565	586	578	597	578	548
51	530	555	600	580	591	547	541	523	424	501	550	548	576	556	590	559	530
52	503	544	585	563	580	534	523	503	282	472	527	526	562	543	567	539	503
53	426	524	559	552	564	518	502	456	129	398	501	507	542	527	559	520	426
54	275	507	539	540	540	501	481	336	31	254	472	488	520	517	537	498	275
55	120	452	520	522	519	485	460	182	20	108	445	472	499	498	517	427	120
56	35	313	491	506	502	469	433	54	17	26	426	451	480	481	495	272	35
57	26	151	457	490	484	451	414	19	16	17	407	432	445	473	468	112	26
58	23	40	435	468	452	428	399	16	14	15	389	410	408	454	443	30	23
59	21	23	415	448	405	409	385	14	13	13	368	384	391	436	419	22	21
60	20	20	392	424	382	381	364	13	11	12	293	355	372	408	399	19	20
61	18	18	374	393	366	354	290	12	10	11	158	331	353	380	373	18	18

Laboratory: Standard-Tech Co. Ltd Testing Center  
 NVLAP CODE: 201011-0

Report Format Number STD/QR4909-A/2

Address: 8th floor, Block B, No. 11 Caipin Road, Guangzhou Science City, Tianhe, Guangzhou 510663, China

Tel: 8620-3229 0320 Fax: 8620-32290422 <http://www.standard-tech.com>

62	16	17	335	357	346	337	163	10	9	10	43	317	333	356	288	17	16
63	15	16	215	333	330	318	45	9	8	9	12	297	316	333	146	15	15
64	14	14	82	314	310	298	12	8	7	8	10	279	296	309	34	14	14
65	13	14	19	296	289	277	10	7	6	7	9	258	269	288	16	13	13
66	12	12	15	276	266	257	9	6	6	6	8	236	196	264	14	12	12
67	11	12	13	257	204	237	8	6	5	5	7	188	124	241	12	11	11
68	11	11	12	234	134	182	7	5	5	5	6	116	104	178	11	10	11
69	10	11	11	174	113	115	6	5	4	4	5	89	90	106	10	9	10
70	10	10	10	103	102	95	5	4	4	4	5	78	79	89	10	8	10
71	10	10	10	86	90	83	5	4	4	4	4	66	69	78	9	9	10
72	10	10	9	78	77	71	4	3	3	3	3	53	56	68	8	9	10
73	9	9	9	70	64	59	3	3	3	3	3	26	27	53	8	9	9
74	9	9	8	49	43	41	3	3	3	3	2	5	4	8	7	9	9
75	9	9	8	7	3	6	2	3	2	2	2	3	3	7	7	8	9
76	9	9	8	6	3	3	2	2	2	2	2	3	3	6	7	8	9
77	9	9	7	6	2	2	2	2	2	2	2	2	2	6	7	8	9
78	8	9	7	6	2	2	2	2	2	1	1	2	2	5	7	8	8
79	8	9	8	5	2	2	1	1	1	1	1	2	2	5	7	8	8
80	7	8	7	5	2	1	1	1	1	1	1	1	1	5	7	7	7
81	6	7	7	5	1	1	1	1	1	1	1	1	1	4	6	6	6
82	6	6	7	5	1	1	1	1	1	1	1	0	1	4	6	6	6
83	6	6	6	4	1	0	1	1	1	1	1	0	1	4	5	6	6
84	6	6	6	4	1	0	1	1	1	1	1	0	0	3	5	6	6
85	6	6	5	4	0	0	1	1	1	1	0	0	0	3	5	5	6
86	5	6	5	4	0	0	0	1	1	1	0	0	0	3	4	4	5
87	3	4	5	3	0	0	0	0	1	0	0	0	0	3	3	2	3
88	1	2	3	3	0	0	0	0	0	0	0	0	0	1	1	1	1
89	0	0	1	3	0	0	0	0	0	0	0	0	0	0	0	0	0
90	0	0	0	0	0	0	0	0	0	0	0	0	0	0	0	0	0

<b>2.2 Electrical, Photometric and Chromaticity Measurements</b> (Refer to Work Instruction QD25)	<b>IES LM-79 2008</b>
--	-----------------------

<b>Test date</b>	2014-07-29	<b>Test Ambient:</b>	25.2 ° C
<b>Test Orientation</b>	Lighting Downward, light surface parallel to horizontal line	<b>Stabilization Time (min)</b>	90
<b>Model Number</b>	71342		

**Electrical Measurement:**

Sample No.	Voltage (Vac)	Frequency (Hz)	Current (A)	Power (W)	Power Factor	THD %
140709-30	120.0	60	0.2451	28.84	0.9804	14.87
	277.0	60	0.1195	29.91	0.9036	15.84

**Sphere-Spectroradiometer Method:**

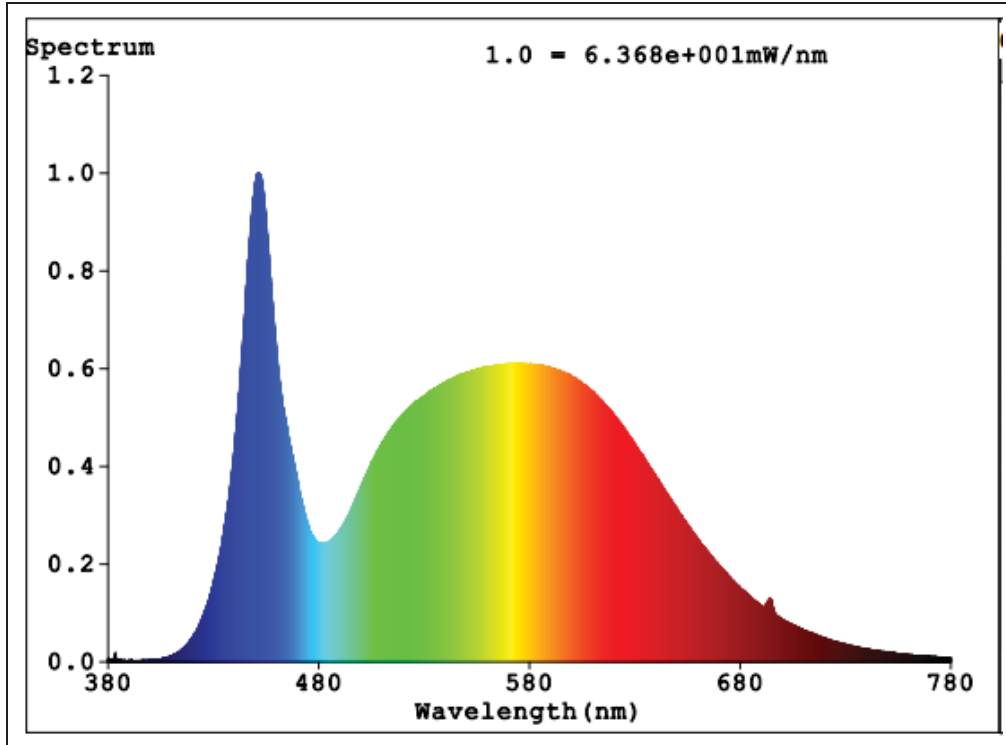
Parameter	Result
Test Voltage (V)	120.0
Frequency (Hz)	60
Color Rendering Index (CRI)	83.5
R9	16
CCT (K)	5019
Chromaticity (x, y)	x=0.3449 y=0.3554
Chromaticity (u', v')	u'=0.2099 v'=0.4865
Duv	0.0019
Total Luminous (lm)	2732.7
Luminous Efficacy (lm/W)	94.75

Special Color Rendering Indices			
R1	82	R9	16
R2	88	R10	70
R3	91	R11	82
R4	84	R12	61
R5	83	R13	83
R6	83	R14	95
R7	88	R15	78
R8	70	--	--



**Spectral Power Distribution**

Spectral Power Distribution:



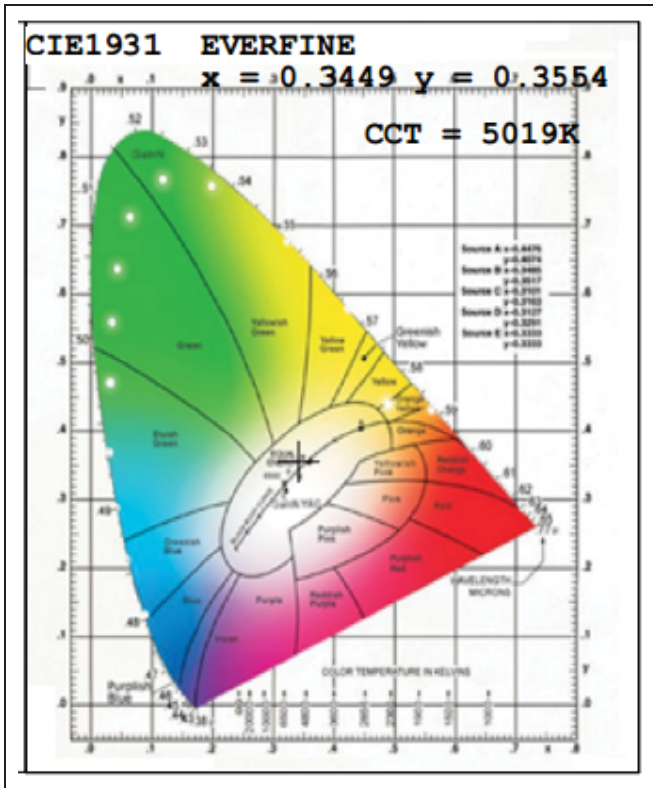
**Laboratory: Standard-Tech Co. Ltd Testing Center**  
**NVLAP CODE: 201011-0**

Report Format Number STD/QR4909-A/2

Address: 8th floor, Block B, No. 11 Caipin Road, Guangzhou Science City, Tianhe, Guangzhou 510663, China

Tel: 8620-3229 0320 Fax: 8620-32290422 <http://www.standard-tech.com>

**Chromaticity Diagram**



**Laboratory: Standard-Tech Co. Ltd Testing Center**  
**NVLAP CODE: 201011-0**

Report Format Number STD/QR4909-A/2

Address: 8th floor, Block B, No. 11 Caipin Road, Guangzhou Science City, Tianhe, Guangzhou 510663, China

Tel: 8620-3229 0320 Fax: 8620-32290422 <http://www.standard-tech.com>

**3. Test Equipment**

Equipment ID	Equipment Name	Last Calibration Date	Next Calibration Date
ST-R-336	2 meter Integrating Sphere	2014-07-01	2015-06-30
ST-R-331	Spectral analysis system HAAS-2000	2014-07-01	2015-06-30
D204	Standard Lamp	2014-07-01	2015-06-30
PF2010	Power Meter for Integrating Sphere	2014-07-01	2015-06-30
EE-09	Goniophotometer system	2014-07-01	2015-06-30
D908S	Standard Lamp	2014-07-01	2015-06-30
PF210	Power Meter for Goniophotometer	2014-07-01	2015-06-30
ST-R-181A	Temperature Tester	2014-07-01	2015-06-30

**\*\*\*\*\* END OF DATASHEET PACKAGE \*\*\*\*\***