



Cat# 71510+71508
Classic High Bay
150 Watt
(Reflectors Sold Separately)
 *Dimmable

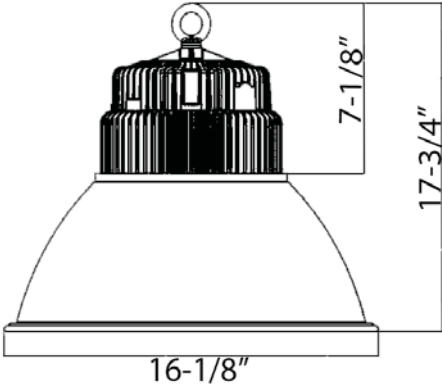
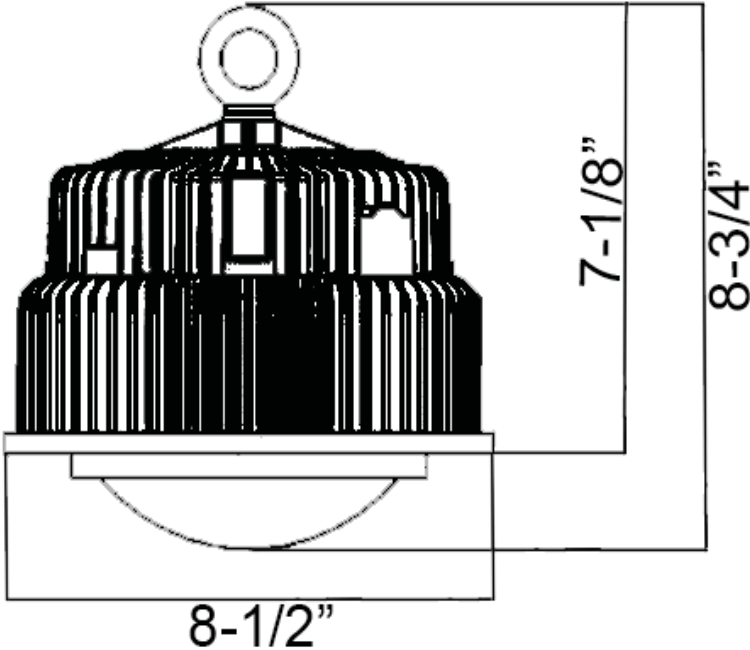


- Integral Cooling Fin Releases Heat Efficiently to Maintain the Life of LEDs & LED Driver
- Corrosion Resistant Die Cast Aluminum Housing with Superior Architectural Bronze Powder Coat Finish, Stainless Steel Hardware & Eye-Hook Mount
- cULus listed for Wet Locations
- Used with Reflector(Sold Separately)
- 5 Year Warranty
- No preheating time, no cooling required before restart
- Note: Reflector (Sold Separately) must be installed (See MORRIS Cat# 71508 16" PC Reflector)

Model :		71510+71508
OVERALL LAMP PARAMETERS	Input Voltage	100-277VAC
	Input Current	1.8A @100V / 0.70A @277VAC
	Input Power	150W
	Power Factor	PF≥ 0.9
	Luminance	17259.5 LM
	Luminous Efficiency	117.25 LM/W
	CRI	>82.6
	Beam Angle	60°
	Main Structure	Aluminum Body & Polycarbonate Reflector
	LED DRIVER	Driver Manufacturer
Output Voltage		40-88VDC
Output Current		3.2A
Driver Efficiency		92%
LED	LED Brand	3030 1W
	LED Quantity	182 PCS
	LED Manufacturer	PHILIPS LumiLED Luxeon 3030-2D
	LED Efficacy	120 LM/W
	Color Temperature	5000K
LIFESPAN & ENVIRONMENT	Lifespan	50000 Hrs+
	Warranty	5 Years
	IP Rating	IP65 Wet Locations
	Operating Temperature	-40°F - 131°F
	Storage	-40°C—+80°C , 10—90% RH
SAFETY&EMC	Safety Norms	UL1598,UL8750, IEC60598, IEC61347-2-13, IEC62031, IEC62471
	Withstand Voltage	I/P-FG: 2121VDC
	Grounding Resistance	25A 100mΩ
	Electromagnetic	EN55015, EN61000-2-3, EN61000-3-3, EN61547
OTHERS	Dimension	Pls refer to attached dimension drawing
	Net Weight	4.2 KG
	Gross Weight	4.6 KG
	Packing Size	480*480*240 mm
	Q'ty / Carton	4 PCS
	Volume	----

Dimensional Line Art

Cat# 71510+71508



71508 16" PolyCarbonate Reflector