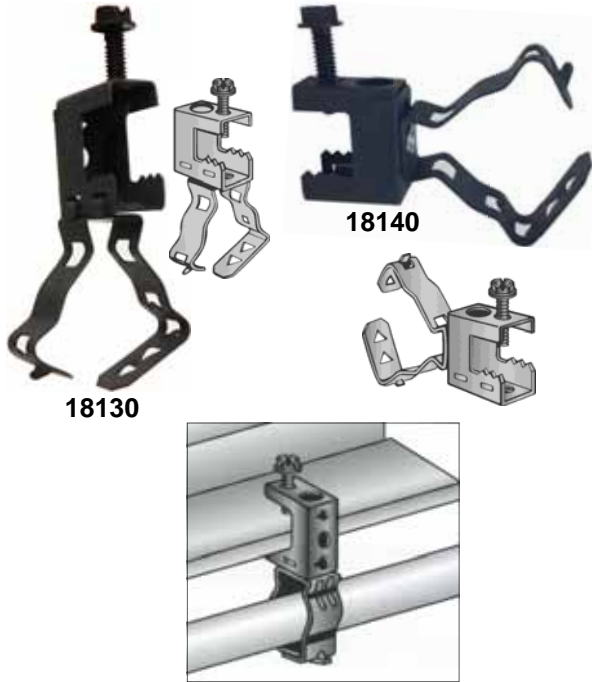


Beam Clamp to Conduit Hanger Assembly



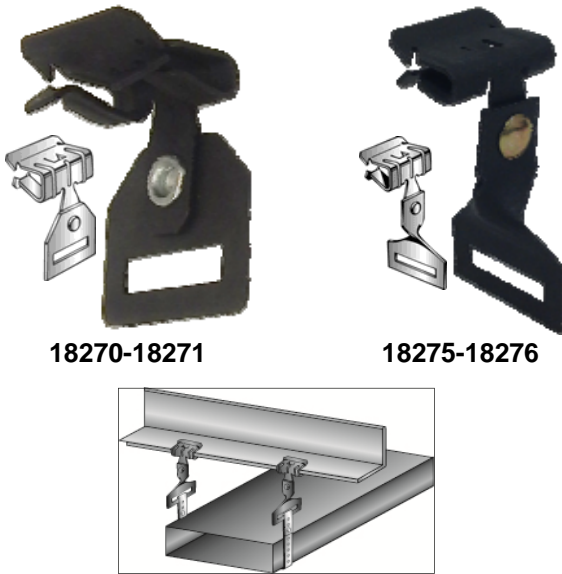
- ▶ Spring Steel Beam Clamp with Pre-Installed Conduit Hanger
- ▶ Positive Locking Conduit Hanger

**Static Load limit: 100 lbs Vertical
25 lbs Horizontal**

Dimensions = Inches

Cat. No.	Orientation	Fits Conduit	Box Qty
18130	Bottom Mount	1/2 & 3/4	100
18140	Side Mount	1/2 & 3/4	100

Flange Mount Strap Hangers



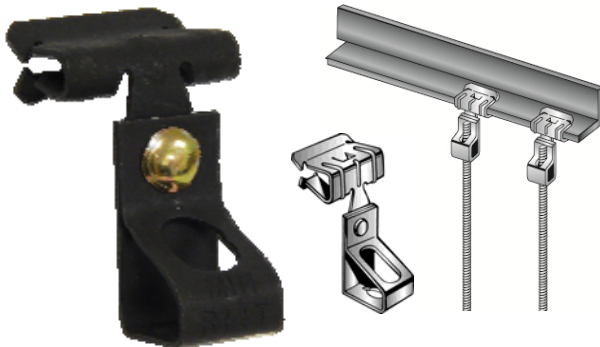
- ▶ Suspends Strapping Thru 1" Width
- ▶ Fits Beam Flanges from 1/8" to 3/4"
- ▶ Parallel & Right Angle Configurations
- ▶ Installs with hammer only

Static Load limit: 200 lbs

Dimensions = Inches

Cat. No.	Flange Thickness	Type	Box Qty
18270	1/8 to 1/4	Right Angle	100
18271	5/16 to 1/2	Right Angle	100
18275	1/8 to 1/4	Parallel	100
18276	5/16 to 1/2	Parallel	100

Threaded Rod to Beam Assembly



- ▶ Suspends 1/4" and 3/8" threaded rod from overhead mountings
- ▶ Fits 1/8" Thru 1/2" Thick Flanges

Static Load limit: 200 lbs

Dimensions = Inches

Cat. No.	Flange Thickness	For Use With	Box Qty
18250	1/8 to 1/4	1/4" Threaded Rod	100
18251	5/16 to 1/2	1/4" Threaded Rod	100
18255	1/8 to 1/4	3/8" Threaded Rod	100
18256	5/16 to 1/2	3/8" Threaded Rod	100