



Catalog Number 01014
UPC Number 60198601014
Description Vinyl Insulated Ring Terminal 22-16



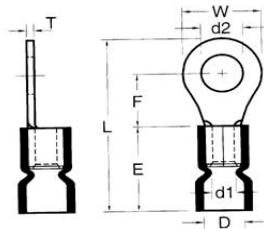
Features

- Color Coded insulation for easy identification
- Manufactured from high strength copper alloy
- Electro-tin plated for corrosion resistance
- Easy entry funnel type insulation eliminates strand “Hang Up”, increases the crimping rates and the reliability of the termination
- Wire range stamped on the surface for easy interpretation
- Butted seams prevent splitting under maximum pressure
- Serrated barrel & flared position of sleeve provide excellent contact & mechanical stress relief at insulation & barrel junction
- Packed in Zip Lock plastic bags with punched hole for pegboard hanging

General

Insulation Type Vinyl
 Material Copper Tubular/Copper Plate
 Finish Electro-Tin Plated
 Color Red
 Wire Range 22-16
 Stud Size #8

Dimension Information



Stock Thickness 0.03
 L Inches (mm) 0.866
 D Inches (mm) 0.157
 D1 Inches (mm) 0.067
 D2 Inches (mm) 0.146
 E Inches (mm) 0.441
 F Inches (mm) 0.276
 W Inches (mm) 0.315

Specifications

Temperature Rating 167°F (75°C)
 Voltage Rating 600 V @105°C
 Flammability Rating UL94V-O
 Amp Rating 18 Amps

Packaging

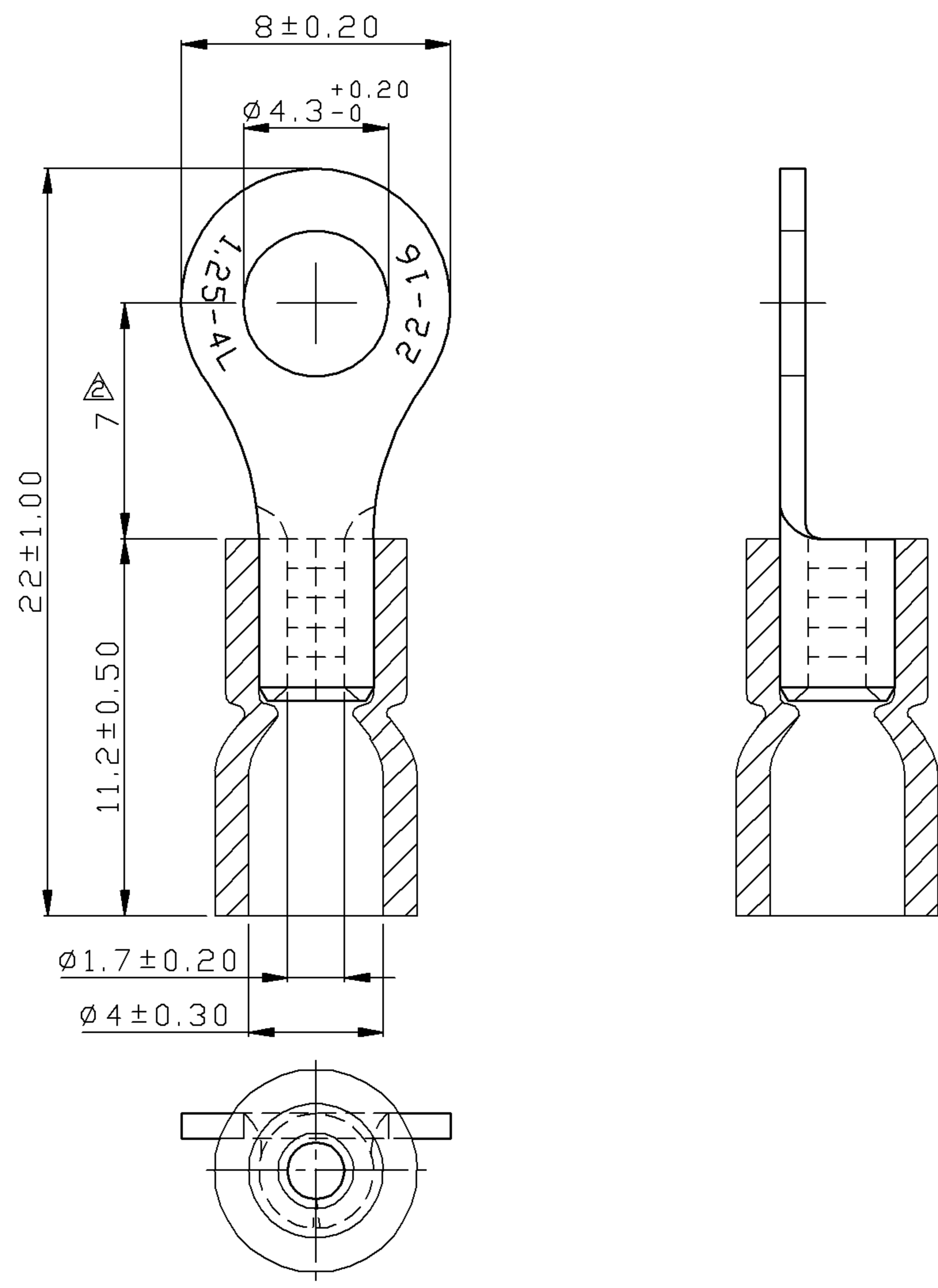
Bag Qty 25
 Master Bag Qty 100

Certifications

UL Yes
 cUL Yes
 RoHS Yes



REV	DESCRIPTION	DATE
△	RDK-97048	2009/08/20
△	RDK-97127	2009/08/20
△	RDK-98020	2009/08/20



- NOTE :
1. MAXIMUM ELECTRIC CURRENT :

A.W.G.	22	20	18	16
AMP.	9	12	17	18
 2. MAXIMUM ELECTRICAL RATING : 105°C 600 VOLTS MAX.
 3. INSULATION MATERIAL : VINYL
 4. INSULATION COLOR : RED
 5. TERMINAL MATERIAL : COPPER
 6. WIRE RANGE : 22-16 A.W.G. (0.5-1.5 mm²)
 7. TERMINAL SURFACE TREATMENT : TIN PLATED
 8. TERMINAL THICKNESS : 0.75 mm

△ Tolerance Unless	
Otherwise Specified	
0 >	mm ±
>	mm ±
>	mm ±
>	mm ±

NAME	VINYL-INSULATED (EASY ENTRY) RING TERMINALS			UNIT	mm	
PART NO.	01014	MATERIAL	-----	APPROVE		
NUMBER		SCALE	SHEET	PAGE	CHECKED	
DATE	2006/09/06	4/1	1-3	10F2	DRAWN	

Morris Products Inc.
53 Carey Rd. Queensbury, NY 12804