



**Catalog Number** 01162  
**UPC Number** 60198601162  
**Description** Vinyl Insulated Fork Spade Terminal 12-10



**Features**

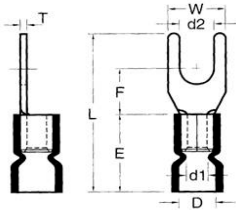
- Color Coded insulation for easy identification
- Manufactured from high strength copper alloy
- Electro-tin plated for corrosion resistance
- Easy entry expanded insulation eliminates strand “Hang Up”, increases the crimping rates and the reliability of the termination
- Wire range stamped on the surface for easy interpretation
- Butted seams prevent splitting under maximum pressure
- Serrated barrel & flared position of sleeves provide excellent contact & mechanical stress relief at insulation & barrel junction
- Packed in Zip Lock plastic bags with punched hole for pegboard hanging

**General**

**Insulation Type** Vinyl  
**Material** Copper Tubular/Copper Plate  
**Finish** Electro-Tin Plated  
**Color** Yellow  
**Wire Range** 12-10  
**Stud Size** #8

**Dimension Information**

**Stock Thickness** 0.039  
**L Inches (mm)** 1.047  
**D Inches (mm)** 0.248  
**D1 Inches (mm)** 0.134  
**D2 Inches (mm)** 0.169  
**E Inches (mm)** 0.555  
**F Inches (mm)** 0.276  
**W Inches (mm)** 0.354  
**T Inches (mm)** 0.039



**Specifications**

**Temperature Rating** 167°F (75°C)  
**Voltage Rating** 600 V @105°C  
**Flammability Rating** UL94V-O  
**Amp Rating** 50 Amps

**Packaging**

**Bag Qty** 25  
**Master Bag Qty** 100

**Certifications**

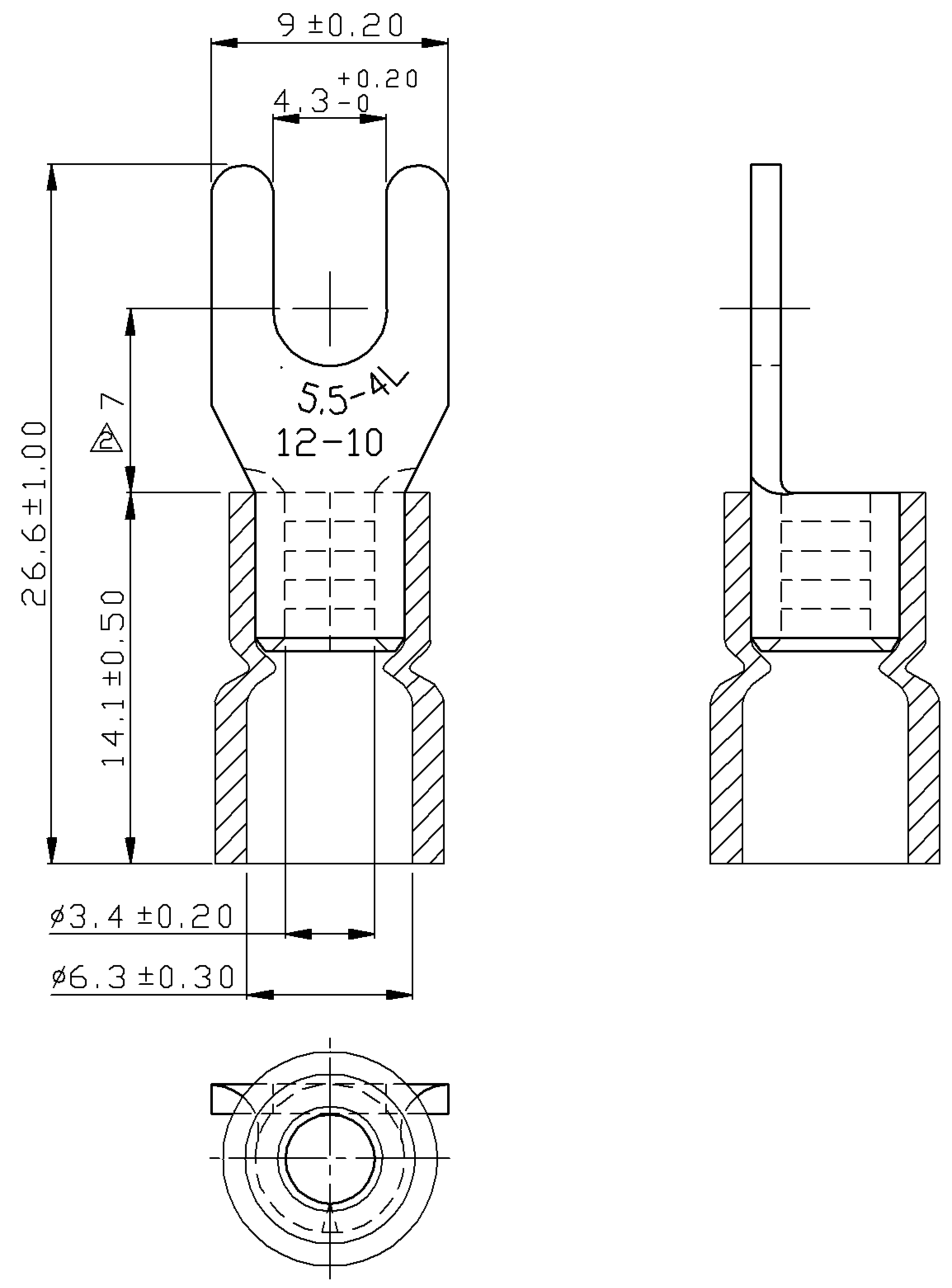
**UL** Yes  
**cUL** Yes  
**RoHS** Yes

Morris Products 53 Carey Road, Queensbury, NY 12804

[www.morrisproducts.com](http://www.morrisproducts.com)



| REV | DESCRIPTION | DATE       |
|-----|-------------|------------|
| △   | RDK-97048   | 2008/09/12 |
| △   | RDK-97127   | 2008/09/12 |
| △   | RDK-98020   | 2009/07/24 |



- NOTE :
1. MAXIMUM ELECTRIC CURRENT : 

|        |    |    |  |
|--------|----|----|--|
| A.W.G. | 12 | 10 |  |
| AMP.   | 35 | 50 |  |
  2. MAXIMUM ELECTRICAL RATING : 105°C 600 VOLTS MAX.
  3. INSULATION MATERIAL : VINYL
  4. INSULATION COLOR : YELLOW
  5. TERMINAL MATERIAL : COPPER
  6. WIRE RANGE : 12-10 A.W.G. ( 4 - 6 mm<sup>2</sup> )
  7. TERMINAL SURFACE TREATMENT : TIN PLATED
  8. TERMINAL THICKNESS : 1.00 mm

|     |                     |              |
|-----|---------------------|--------------|
| △   | Tolerance Unless    |              |
| □   | Otherwise Specified |              |
| 0 > | mm ±                | ANGLE        |
| >   | mm ±                | 0° > ° REF ± |
| >   | mm ±                | ° > ° ±      |
| >   | mm ±                | ° > ° ±      |

|          |  |          |       |         |         |  |
|----------|--|----------|-------|---------|---------|--|
| NAME     | VINYL-INSULATED (EASY ENTRY) SPADE TERMINALS |          |       | UNIT    | mm      |  |
| PART NO. | 01162  | MATERIAL | ----- | APPROVE |         |  |
| NUMBER   |  | SCALE    | SHEET | PAGE    | CHECKED |  |
| DATE     | 2006/06/22                                   | 3/1      | 1-3   | 10F2    | DRAWN   |  |

Morris Products Inc.  
53 Carey Rd. Queensbury, NY 12804