



**Catalog Number** 10012  
**UPC Number** 60198610012  
**Description** Vinyl Insulated Ring Terminals  
 22-16 AWG

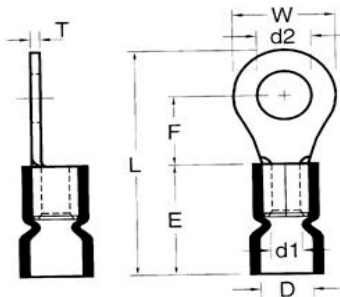


**Features**

- Color Coded insulation for easy identification
- Manufactured from high strength copper alloy
- Electro-tin plated for corrosion resistance
- Easy entry expanded insulation eliminates strand “Hang Up”, increases the crimping rates and the reliability of the termination
- Wire range stamped on the surface for easy interpretation
- Butted seams prevent splitting under maximum pressure
- Serrated barrel & flared position of sleeves provide excellent contact & mechanical stress relief at insulation & barrel junction

**General**

**Insulation Type** Vinyl  
**Material** Copper  
**Finish** Electro-tin plated  
**Color** Red  
**Wire Range** 22-16 AWG  
**Stud Size** #6



**Dimension Information**

L Inches (mm) 0.811  
 W Inches (mm) 0.26  
 D Inches (mm) 0.157  
 d1 Inches (mm) 0.067  
 d2 Inches (mm) 0.146  
 E Inches (mm) 0.441  
 F Inches (mm) 0.248  
 T Inches (mm) 0.03

**Specifications**

**Temperature Rating** 105°C  
**Voltage Rating** 600 V  
**Flammability Rating** UL94V-O  
**Amp Rating** 22 AWG 9 Amps  
 20 AWG 12 Amps  
 18 AWG 17 Amps  
 16 AWG 18 Amps

**Packaging**

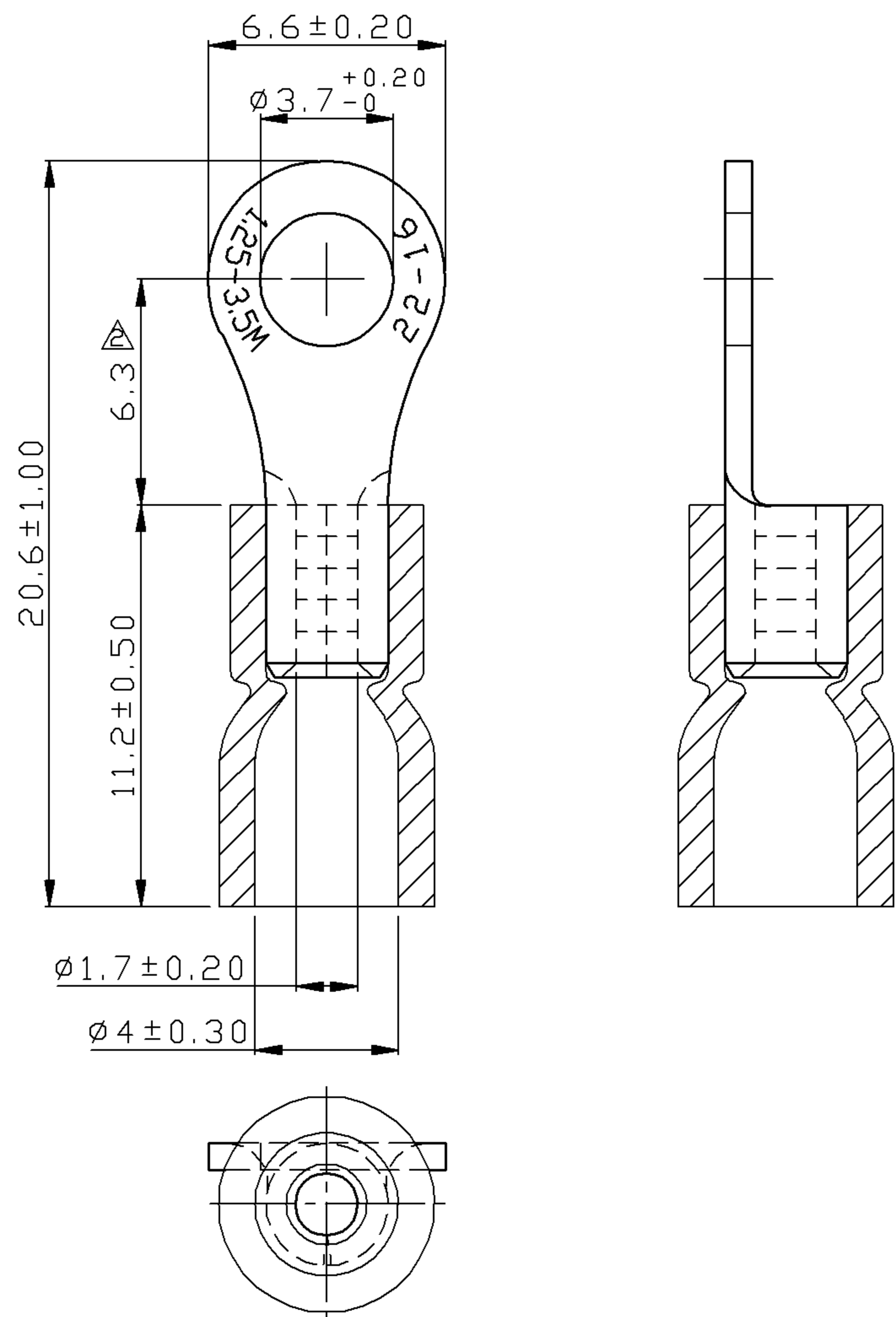
**Bag Qty** 100  
**Master Bag Qty** 1000

**Certifications**

**UL** Yes  
**cUL** Yes  
**RoHS** Yes



REV	DESCRIPTION	DATE
△	RDK-97048	2008/09/15
△	RDK-97127	2008/09/15
△	RDK-98020	2009/08/20



- NOTE :
1. MAXIMUM ELECTRIC CURRENT : 

A.W.G.	22	20	18	16
AMP.	9	12	17	18
  2. MAXIMUM ELECTRICAL RATING : 105°C 600 VOLTS MAX.
  3. INSULATION MATERIAL : VINYL
  4. INSULATION COLOR : RED
  5. TERMINAL MATERIAL : COPPER
  6. WIRE RANGE : 22-16 A.W.G. ( 0.5-1.5 mm<sup>2</sup> )
  7. TERMINAL SURFACE TREATMENT : TIN PLATED
  8. TERMINAL THICKNESS : 0.75 mm

Tolerance Unless	
△	Otherwise Specified
0 >	mm ±
>	mm ±
>	mm ±
>	mm ±
	ANGLE
	° REF ±
	° ±
	° ±

NAME	VINYL-INSULATED (EASY ENTRY) RING TERMINALS				UNIT	mm	
PART NO.	10012	MATERIAL	-----	APPROVE			
NUMBER		SCALE	SHEET	PAGE	CHECKED		
DATE	2006/09/01	4/1	1-3	10F2	DRAWN		

Morris Products Inc.  
53 Carey Rd. Queensbury, NY 12804