



Catalog Number 10018
UPC Number 60198610018
Description Vinyl Insulated Ring Terminals
 22-16 AWG

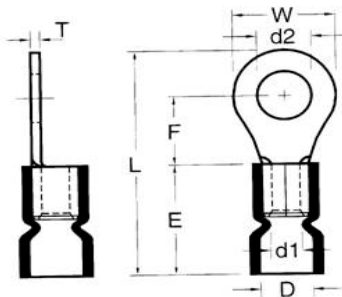


Features

- Color Coded insulation for easy identification
- Manufactured from high strength copper alloy
- Electro-tin plated for corrosion resistance
- Easy entry expanded insulation eliminates strand “Hang Up”, increases the crimping rates and the reliability of the termination
- Wire range stamped on the surface for easy interpretation
- Butted seams prevent splitting under maximum pressure
- Serrated barrel & flared position of sleeves provide excellent contact & mechanical stress relief at insulation & barrel junction
- Packed in Zip Lock plastic bags with punched hole for pegboard

General

Insulation Type Vinyl
Material Copper
Finish Electro-tin plated
Color Red
Wire Range 22-16 AWG
Stud Size 1/4



Dimension Information

L Inches (mm) 1.102
 W Inches (mm) 0.457
 D Inches (mm) 0.157
 d1 Inches (mm) 0.067
 d2 Inches (mm) 0.252
 E Inches (mm) 0.441
 F Inches (mm) 0.433
 T Inches (mm) 0.03

Specifications

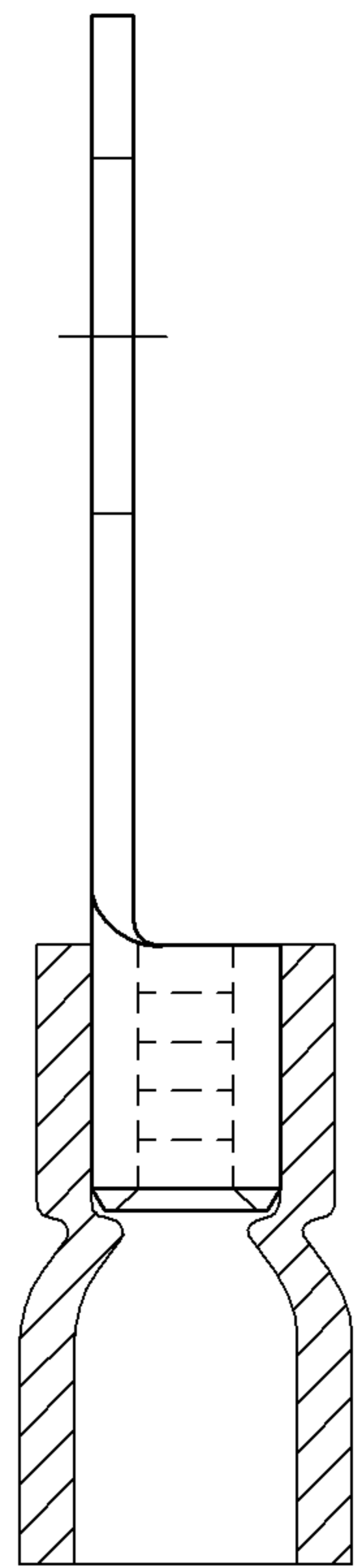
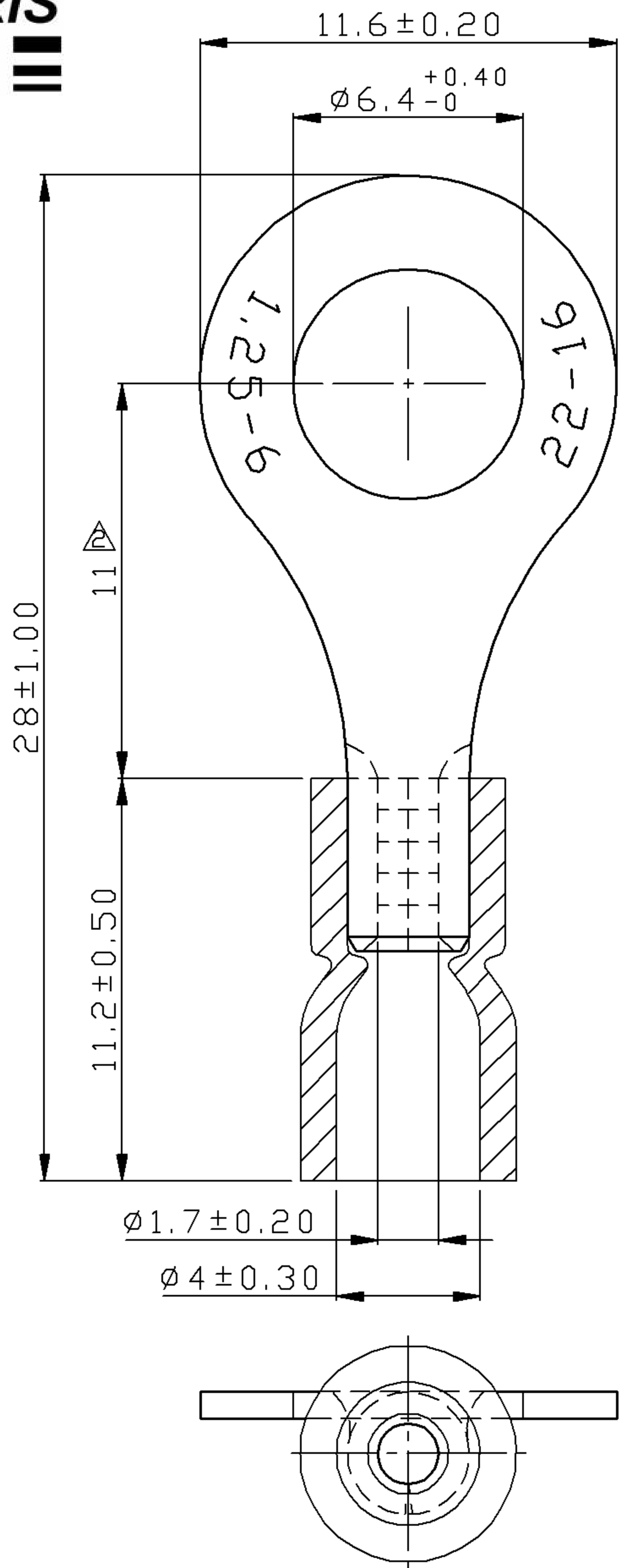
Temperature Rating 105°C
Voltage Rating 600 V
Flammability Rating UL94V-O
Amp Rating 22 AWG 9 Amps
 20 AWG 12 Amps
 18 AWG 17 Amps
 16 AWG 18 Amps

Packaging

Bag Qty 100
Master Bag Qty 1000

Certifications

UL Yes
cUL Yes
RoHS Yes



REV	DESCRIPTION	DATE
△	RDK-97048	2009/08/20
△	RDK-97127	2009/08/20
△	RDK-98020	2009/08/20

- NOTE :
1. MAXIMUM ELECTRIC CURRENT :

A.W.G.	22	20	18	16
AMP.	9	12	17	18
 2. MAXIMUM ELECTRICAL RATING : 105°C 600 VOLTS MAX.
 3. INSULATION MATERIAL : VINYL
 4. INSULATION COLOR : RED
 5. TERMINAL MATERIAL : COPPER
 6. WIRE RANGE : 22-16 A.W.G. (0.5-1.5 mm²)
 7. TERMINAL SURFACE TREATMENT : TIN PLATED
 8. TERMINAL THICKNESS : 0.75 mm

△ Tolerance Unless Otherwise Specified	
0 >	mm ± ANGLE
>	mm ± 0° ° REF ±
>	mm ± ° ° ±
>	mm ± ° ° ±

NAME	VINYL-INSULATED (EASY ENTRY) RING TERMINALS			UNIT	mm	
PART NO.	10018	MATERIAL	-----	APPROVE		
NUMBER	1	SCALE	SHEET	PAGE	CHECKED	
DATE	2006/09/06	4/1	1-3	10F2	DRAWN	

Morris Products Inc.
53 Carey Rd. Queensbury, NY 12804