

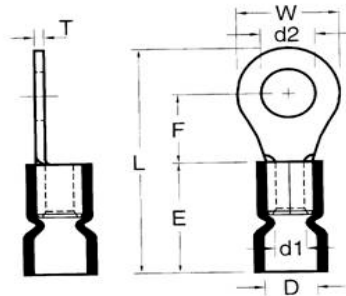


Catalog Number 10040
UPC Number 60198610040
Description Vinyl Insulated Ring Terminals
 16-14 AWG



Features

- Color Coded insulation for easy identification
- Manufactured from high strength copper alloy
- Electro-tin plated for corrosion resistance
- Easy entry expanded insulation eliminates strand “Hang Up”, increases the crimping rates and the reliability of the termination
- Wire range stamped on the surface for easy interpretation
- Butted seams prevent splitting under maximum pressure
- Serrated barrel & flared position of sleeves provide excellent contact & mechanical stress relief at insulation & barrel junction
- Packed in Zip Lock plastic bags with punched hole for pegboard hanging



General

Insulation Type Vinyl
Material Copper
Finish Electro-tin plated
Color Blue
Wire Range 16-14 AWG
Stud Size 5/16

Dimension Information

L Inches (mm) 1.114
W Inches (mm) 0.472
D Inches (mm) 0.177
d1 Inches (mm) 0.091
d2 Inches (mm) 0.331
E Inches (mm) 0.453
F Inches (mm) 0.433
T Inches (mm) 0.031

Specifications

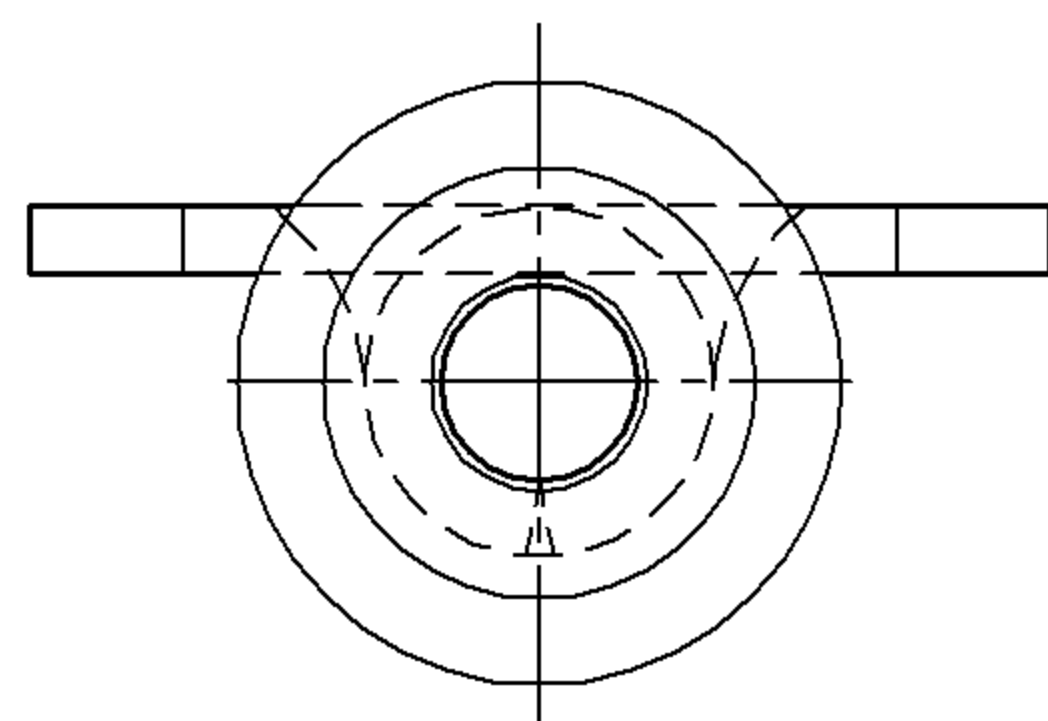
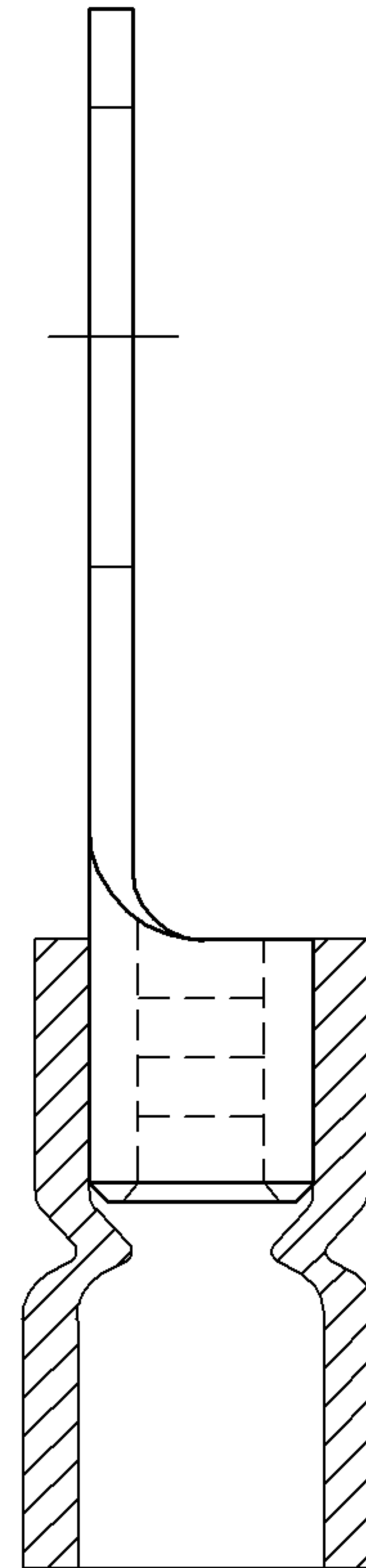
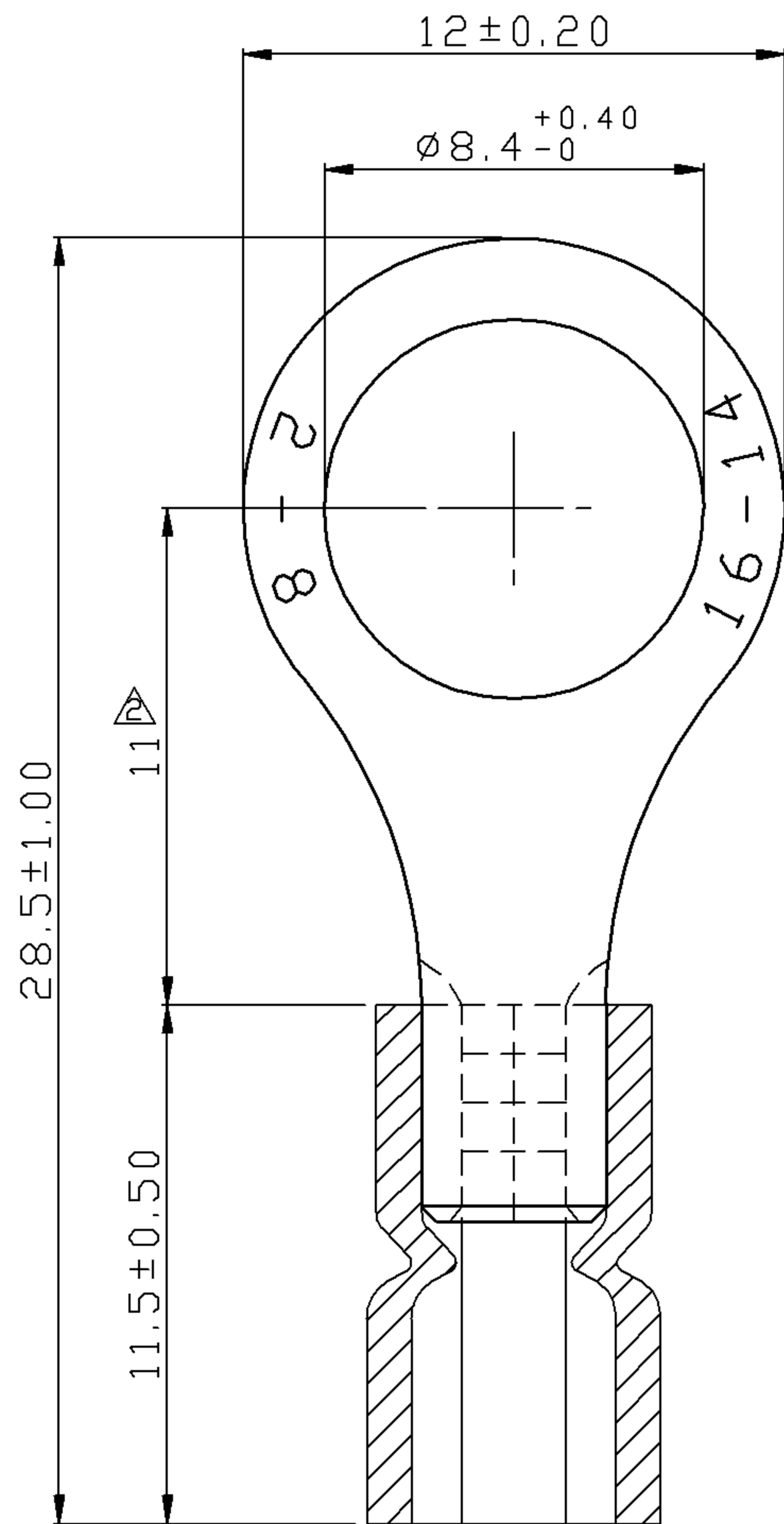
Temperature Rating 105°C
Voltage Rating 600 V
Flammability Rating UL94V-O
Amp Rating 16 AWG 18 Amps
 14 AWG 30 Amps

Packaging

Bag Qty 100
Master Bag Qty 1000

Certifications

UL Yes
cUL Yes
RoHS Yes



REV	DESCRIPTION	DATE
△	RDK-97048	2008/09/15
△	RDK-97127	2008/09/15
△	RDK-98020	2009/08/21

NOTE :

- MAXIMUM ELECTRIC CURRENT :

A.W.G.	16	14	
AMP.	18	30	
- MAXIMUM ELECTRICAL RATING : 105°C 600 VOLTS MAX.
- INSULATION MATERIAL : VINYL
- INSULATION COLOR : BLUE
- TERMINAL MATERIAL : COPPER
- WIRE RANGE : 16-14 A.W.G. (1.5-2.5 mm²)
- TERMINAL SURFACE TREATMENT : TIN PLATED
- TERMINAL THICKNESS : 0.80 mm

△ Tolerance Unless Otherwise Specified	
0 >	mm ± ANGLE
>	mm ± 0° ° REF ±
>	mm ± ° ° ±
>	mm ± ° ° ±

NAME	VINYL-INSULATED (EASY ENTRY) RING TERMINALS			UNIT	mm	
PART NO.	10040	MATERIAL	-----	APPROVE		
NUMBER		SCALE	SHEET	PAGE	CHECKED	
DATE	2007/04/27	4/1	1-3	10F2	DRAWN	

Morris Products Inc.
53 Carey Rd. Queensbury, NY 12804