

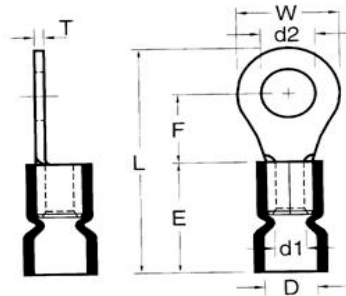


**Catalog Number** 10050  
**UPC Number** 60198610050  
**Description** Vinyl Insulated Ring Terminals  
 16-14 AWG



**Features**

- Color Coded insulation for easy identification
- Manufactured from high strength copper alloy
- Electro-tin plated for corrosion resistance
- Easy entry expanded insulation eliminates strand “Hang Up”, increases the crimping rates and the reliability of the termination
- Wire range stamped on the surface for easy interpretation
- Butted seams prevent splitting under maximum pressure
- Serrated barrel & flared position of sleeves provide excellent contact & mechanical stress relief at insulation & barrel junction
- Packed in Zip Lock plastic bags with punched hole for pegboard hanging



**General**

**Insulation Type** Vinyl  
**Material** Copper  
**Finish** Electro-tin plated  
**Color** Blue  
**Wire Range** 16-14 AWG  
**Stud Size** 3/4

**Dimension Information**

L Inches (mm) 1.803  
 W Inches (mm) 1.063  
 D Inches (mm) 0.177  
 d1 Inches (mm) 0.091  
 d2 Inches (mm) 0.827  
 E Inches (mm) 0.453  
 F Inches (mm) 0.827  
 T Inches (mm) 0.031

**Specifications**

**Temperature Rating** 105°C  
**Voltage Rating** 600 V  
**Flammability Rating** UL94V-O  
**Amp Rating** 16 AWG 18 Amps  
 14 AWG 30 Amps

**Packaging**

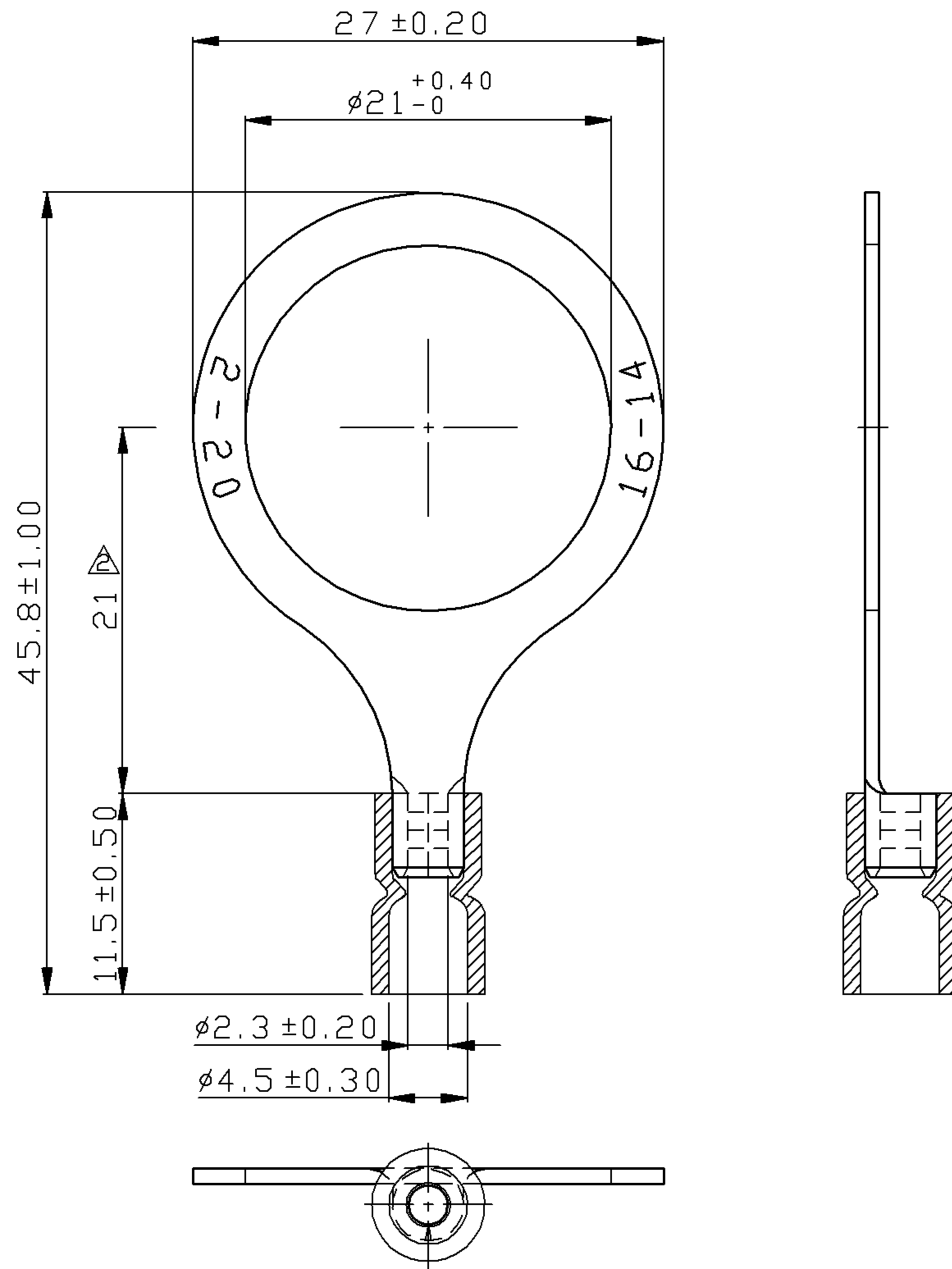
**Bag Qty** 100  
**Master Bag Qty** 1000

**Certifications**

**UL** Yes  
**cUL** Yes  
**RoHS** Yes



REV	DESCRIPTION	DATE
△	RDK-97048	2009/08/21
△	RDK-97127	2009/08/21
△	RDK-98020	2009/08/21



NOTE :

- MAXIMUM ELECTRIC CURRENT : 

A.W.G.	16	14	
AMP.	18	30	
- MAXIMUM ELECTRICAL RATING :  $105^{\circ}\text{C}$  600 VOLTS MAX.
- INSULATION MATERIAL : VINYL
- INSULATION COLOR : BLUE
- TERMINAL MATERIAL : COPPER
- WIRE RANGE : 16-14 A.W.G. (  $1.5-2.5 \text{ mm}^2$  )
- TERMINAL SURFACE TREATMENT : TIN PLATED
- TERMINAL THICKNESS : 0.80 mm

△ Tolerance Unless	
□ Otherwise Specified	
0 >	mm ±
>	mm ±
>	mm ±
>	mm ±
	ANGLE
	0° > ° REF ±
	° > ° ±
	° > ° ±

NAME	VINYL-INSULATED(EASY ENTRY) RING TERMINALS			UNIT	mm	
PART NO.	10050	MATERIAL	-----	APPROVE		
NUMBER		SCALE	SHEET	PAGE	CHECKED	
DATE	2007/08/20	2/1	1-3	10F2	DRAWN	

Morris Products Inc.  
53 Carey Rd. Queensbury, NY 12804