

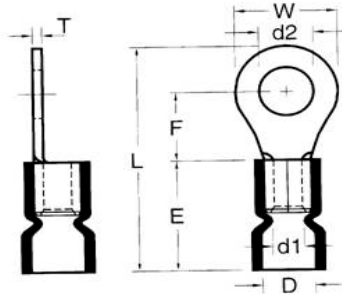


Catalog Number 10066
UPC Number 60198610066
Description Vinyl Insulated Ring Terminals
 12-10 AWG



Features

- Color Coded insulation for easy identification
- Manufactured from high strength copper alloy
- Electro-tin plated for corrosion resistance
- Easy entry expanded insulation eliminates strand “Hang Up”, increases the crimping rates and the reliability of the termination
- Wire range stamped on the surface for easy interpretation
- Butted seams prevent splitting under maximum pressure
- Serrated barrel & flared position of sleeves provide excellent contact & mechanical stress relief at insulation & barrel junction
- Packed in Zip Lock plastic bags with punched hole for pegboard hanging



General

Insulation Type Vinyl
Material Copper
Finish Electro-tin plated
Color Yellow
Wire Range 12-10 AWG
Stud Size 1/4

Dimension Information

L Inches (mm) 1.205
W Inches (mm) 0.472
D Inches (mm) 0.248
d1 Inches (mm) 0.134
d2 Inches (mm) 0.252
E Inches (mm) 0.555
F Inches (mm) 413
T Inches (mm) 0.039

Specifications

Temperature Rating 105°C
Voltage Rating 600 V
Flammability Rating UL94V-O
Amp Rating 12 AWG 35 Amps
 10 AWG 50 Amps

Packaging

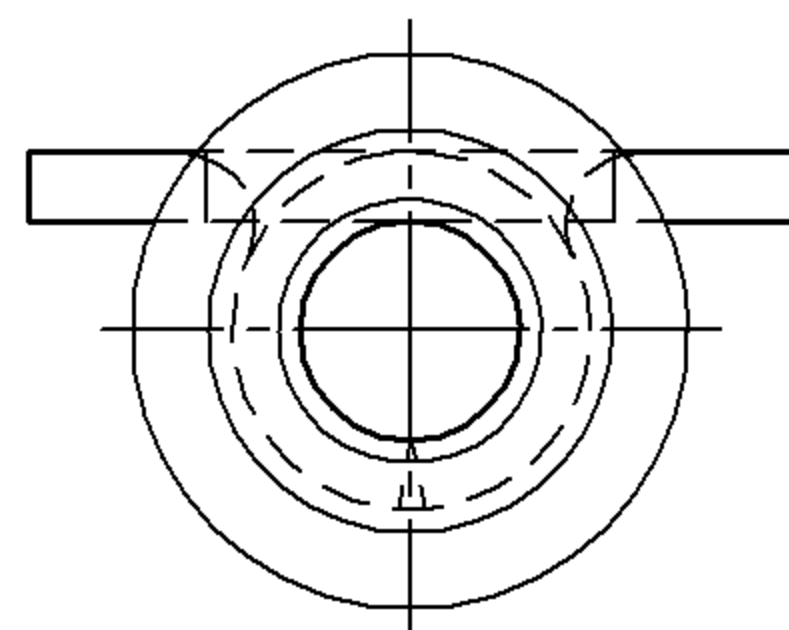
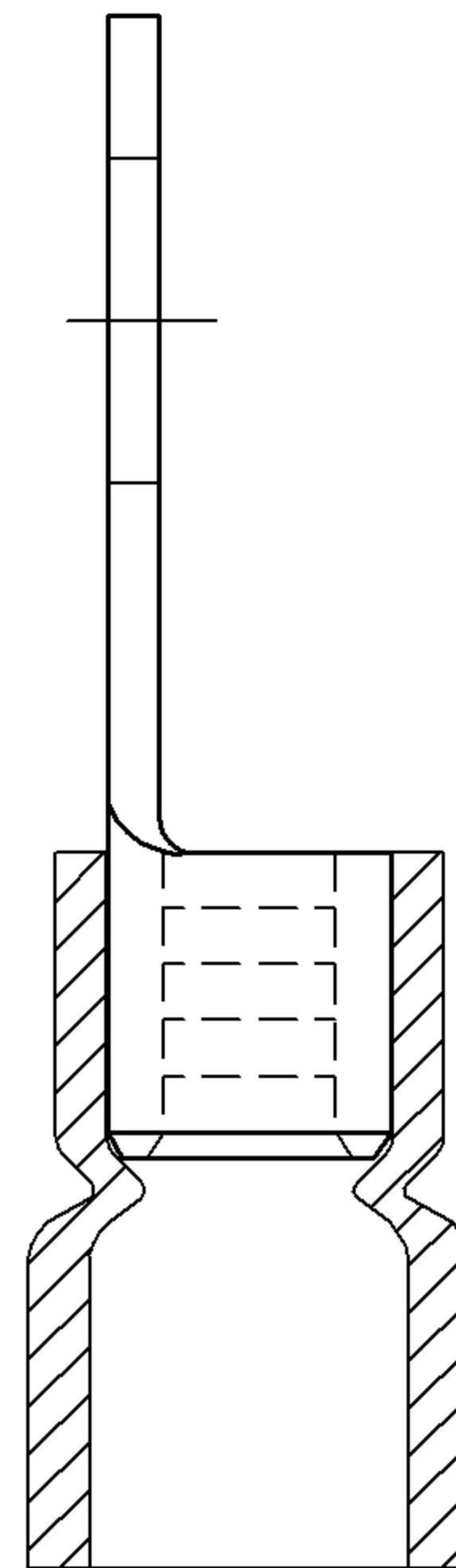
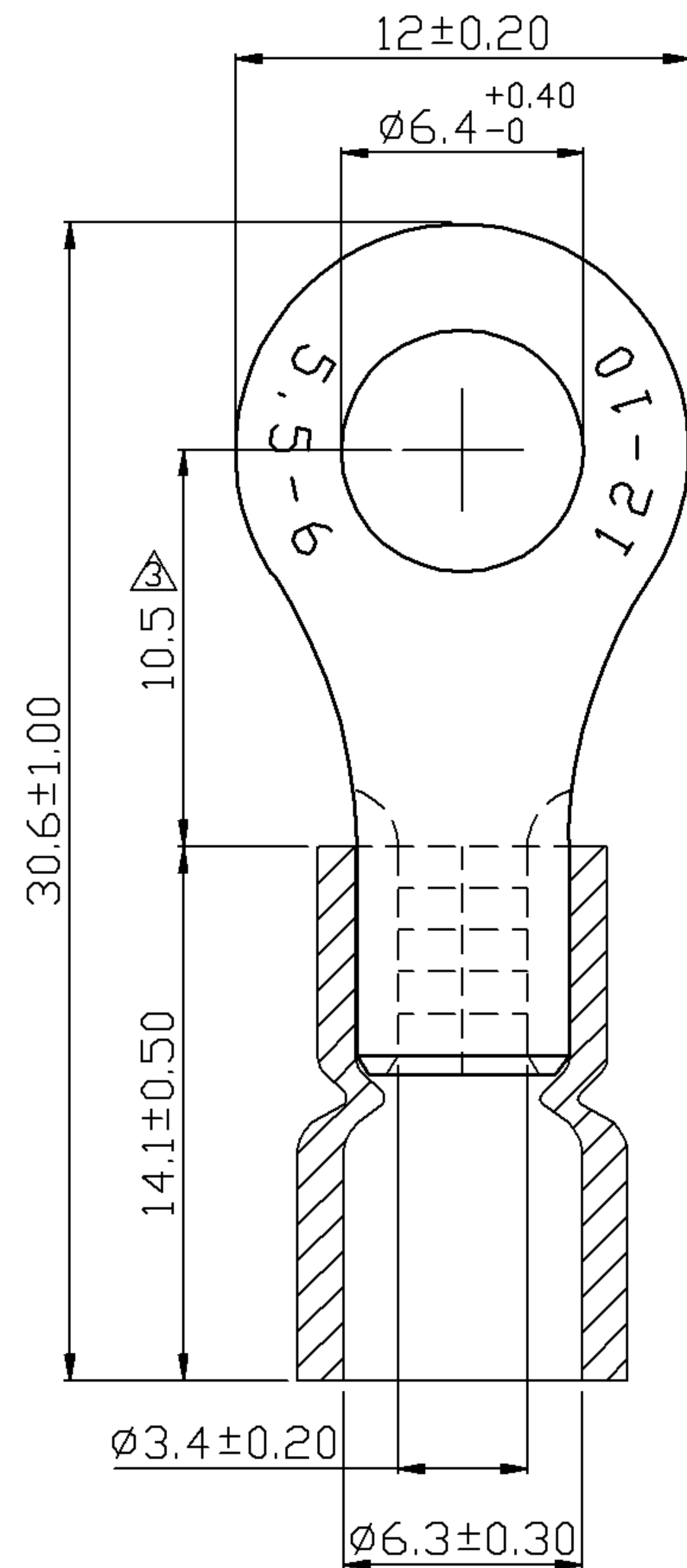
Bag Qty 100
Master Bag Qty 1000

Certifications

UL Yes
cUL Yes
RoHS Yes



REV	DESCRIPTION	DATE
△	RDK-97048	2009/08/21
△	RDK-97127	2009/08/21
△	RDK-98020	2009/08/21



NOTE :

- MAXIMUM ELECTRIC CURRENT :

A.W.G.	12	10	
AMP.	35	50	
- MAXIMUM ELECTRICAL RATING : 105°C 600 VOLTS MAX.
- INSULATION MATERIAL : VINYL
- INSULATION COLOR : YELLOW
- TERMINAL MATERIAL : COPPER
- WIRE RANGE : 12-10 A.W.G. (4-6 mm²)
- TERMINAL SURFACE TREATMENT : TIN PLATED
- TERMINAL THICKNESS : 1.0 mm

△ Tolerance Unless	
□ Otherwise Specified	
0 >	mm ±
>	mm ±
>	mm ±
>	mm ±
	ANGLE
	° REF ±
	° ±
	° ±

NAME	VINYL-INSULATED (EASY ENTRY) RING TERMINALS			UNIT	mm	
PART NO.	10066	MATERIAL	-----	APPROVE		
NUMBER		SCALE	SHEET	PAGE	CHECKED	
DATE	2007/04/16	3/1	1-3	10F2	DRAWN	

Morris Products Inc.
53 Carey Rd Queensbury, NY 12804