



**Catalog Number** 10132  
**UPC Number** 60198610132  
**Description** Vinyl Insulated Fork Spade Terminal  
 16-14 AWG

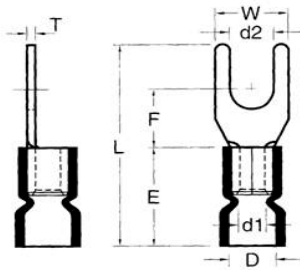


### Features

- Color Coded insulation for easy identification
- Manufactured from high strength copper alloy
- Electro-tin plated for corrosion resistance
- Easy entry expanded insulation eliminates strand “Hang Up”, increases the crimping rates and the reliability of the termination
- Wire range stamped on the surface for easy interpretation
- Butted seams prevent splitting under maximum pressure
- Serrated barrel & flared insulation sleeve provides excellent contact & mechanical stress relief at insulation & barrel junction

### General

Insulation Type Vinyl  
 Material Copper Tubular/Copper Plate  
 Finish Electro-Tin Plated  
 Color Blue  
 Wire Range 16-14  
 Stud Size #6



### Dimension Information

L Inches (mm) 0.886  
 D Inches (mm) 0.177  
 D1 Inches (mm) 0.091  
 D2 Inches (mm) 0.146  
 E Inches (mm) 0.453  
 F Inches (mm) 0.256  
 W Inches (mm) 0.283  
 T Inches (mm) 0.031

### Specifications

Temperature Rating 105°C  
 Voltage Rating 600 V  
 Flammability Rating UL94V-O  
 Amp Rating 16 AWG 18 Amps  
 14 AWG 30 Amps

### Packaging

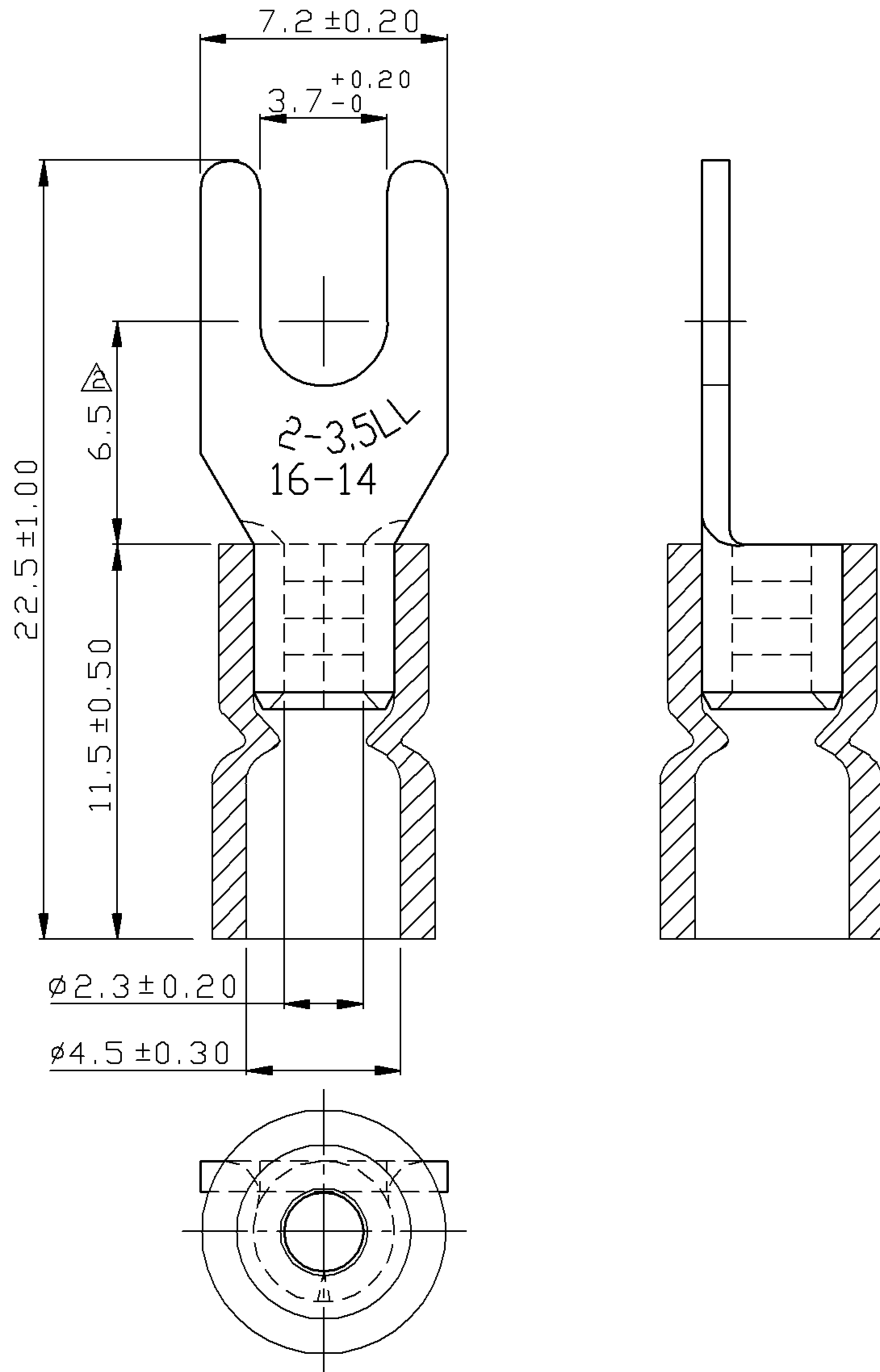
Bag Qty 100  
 Master Bag Qty 1000

### Certifications

UL Yes  
 cUL Yes  
 RoHS Yes

Morris Products 53 Carey Road, Queensbury, NY 12804

[www.morrisproducts.com](http://www.morrisproducts.com)



REV	DESCRIPTION	DATE
△	RDK-97048	2009/07/24
△	RDK-97127	2009/07/24
△	RDK-98020	2009/07/24

- NOTE :
1. MAXIMUM ELECTRIC CURRENT : 

A.W.G.	16	14	
AMP.	18	30	
  2. MAXIMUM ELECTRICAL RATING : 105°C 600 VOLTS MAX.
  3. INSULATION MATERIAL : VINYL
  4. INSULATION COLOR : BLUE
  5. TERMINAL MATERIAL : COPPER
  6. WIRE RANGE : 16-14 A.W.G. ( 1.5-2.5 mm<sup>2</sup> )
  7. TERMINAL SURFACE TREATMENT : TIN PLATED
  8. TERMINAL THICKNESS : 0.80 mm

△	Tolerance Unless Otherwise Specified		
0 >	mm ±	ANGLE	
>	mm ±	0° >	° REF ±
>	mm ±	° >	° ±
>	mm ±	° >	° ±

NAME	VINYL-INSULATED (EASY ENTRY) SPADE TERMINALS			UNIT	mm	
PART NO.	10132	MATERIAL	-----	APPROVE		
NUMBER		SCALE	SHEET	PAGE	CHECKED	
DATE	2006/06/22	4/1	1-3	10F2	DRAWN	

Morris Products Inc.  
53 Carey Rd. Queensbury NY 12804