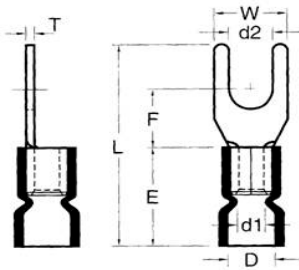




**Catalog Number** 10138  
**UPC Number** 60198610138  
**Description** Vinyl Insulated Fork Spade Terminal  
 16-14 AWG



### Features

- Color Coded insulation for easy identification
- Manufactured from high strength copper alloy
- Electro-tin plated for corrosion resistance
- Easy entry expanded insulation eliminates strand “Hang Up”, increases the crimping rates and the reliability of the termination
- Wire range stamped on the surface for easy interpretation
- Butted seams prevent splitting under maximum pressure
- Serrated barrel & flared insulation sleeve provides excellent contact & mechanical stress relief at insulation & barrel junction

### General

**Insulation Type** Vinyl  
**Material** Copper Tubular/Copper Plate  
**Finish** Electro-Tin Plated  
**Color** Blue  
**Wire Range** 16-14  
**Stud Size** 1/4

### Dimension Information

**L Inches (mm)** 1.122  
**D Inches (mm)** 0.177  
**D1 Inches (mm)** 0.091  
**D2 Inches (mm)** 0.252  
**E Inches (mm)** 0.453  
**F Inches (mm)** 0.433  
**W Inches (mm)** 0.472  
**T Inches (mm)** 0.031

### Specifications

**Temperature Rating** 105°C  
**Voltage Rating** 600 V  
**Flammability Rating** UL94V-O  
**Amp Rating** 16 AWG 18 Amps  
 14 AWG 30 Amps

### Packaging

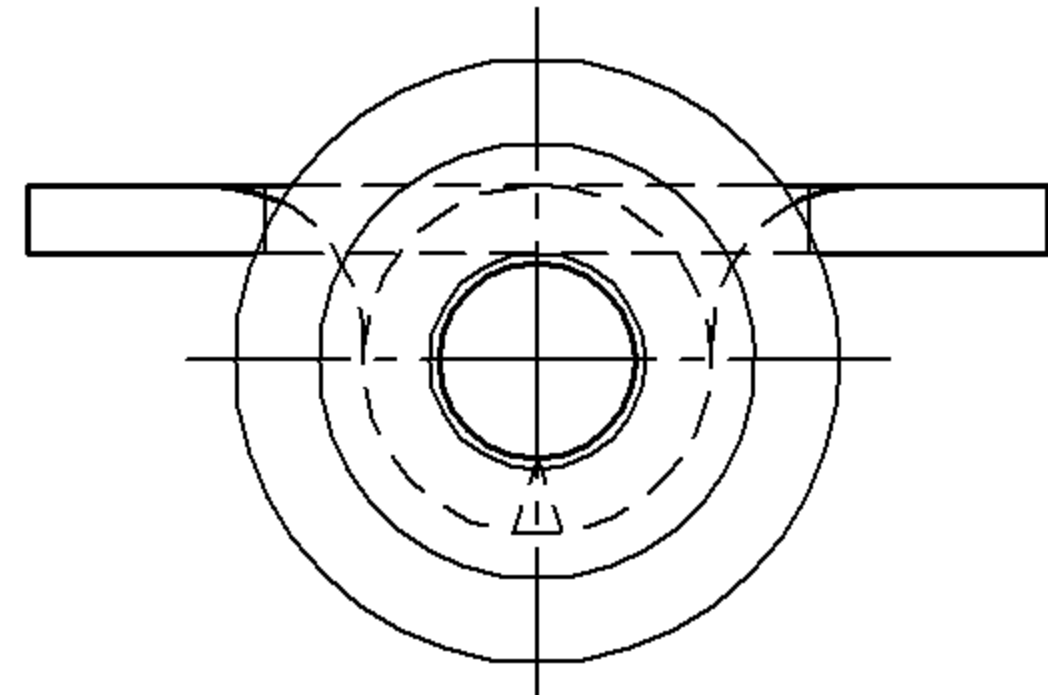
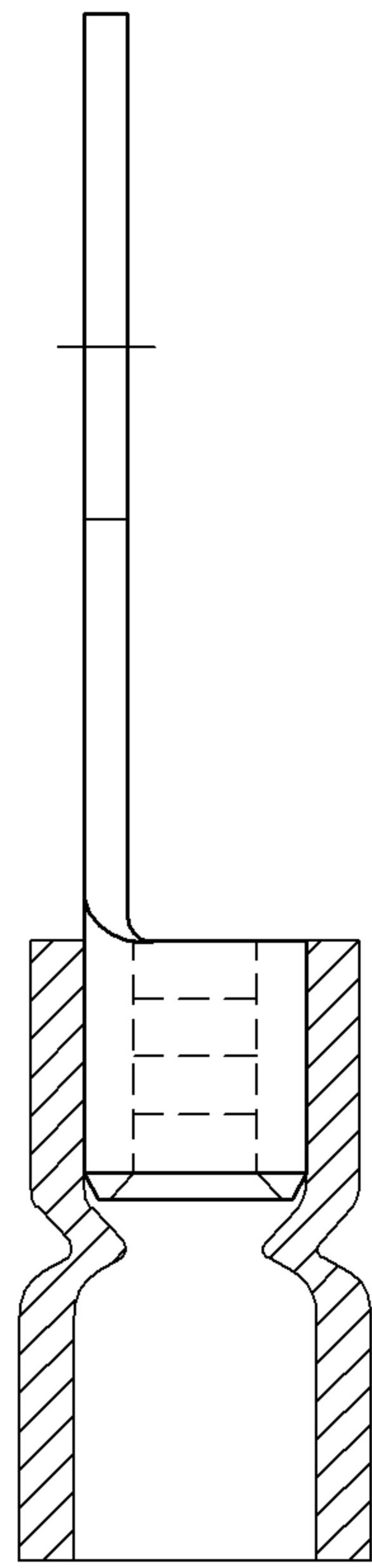
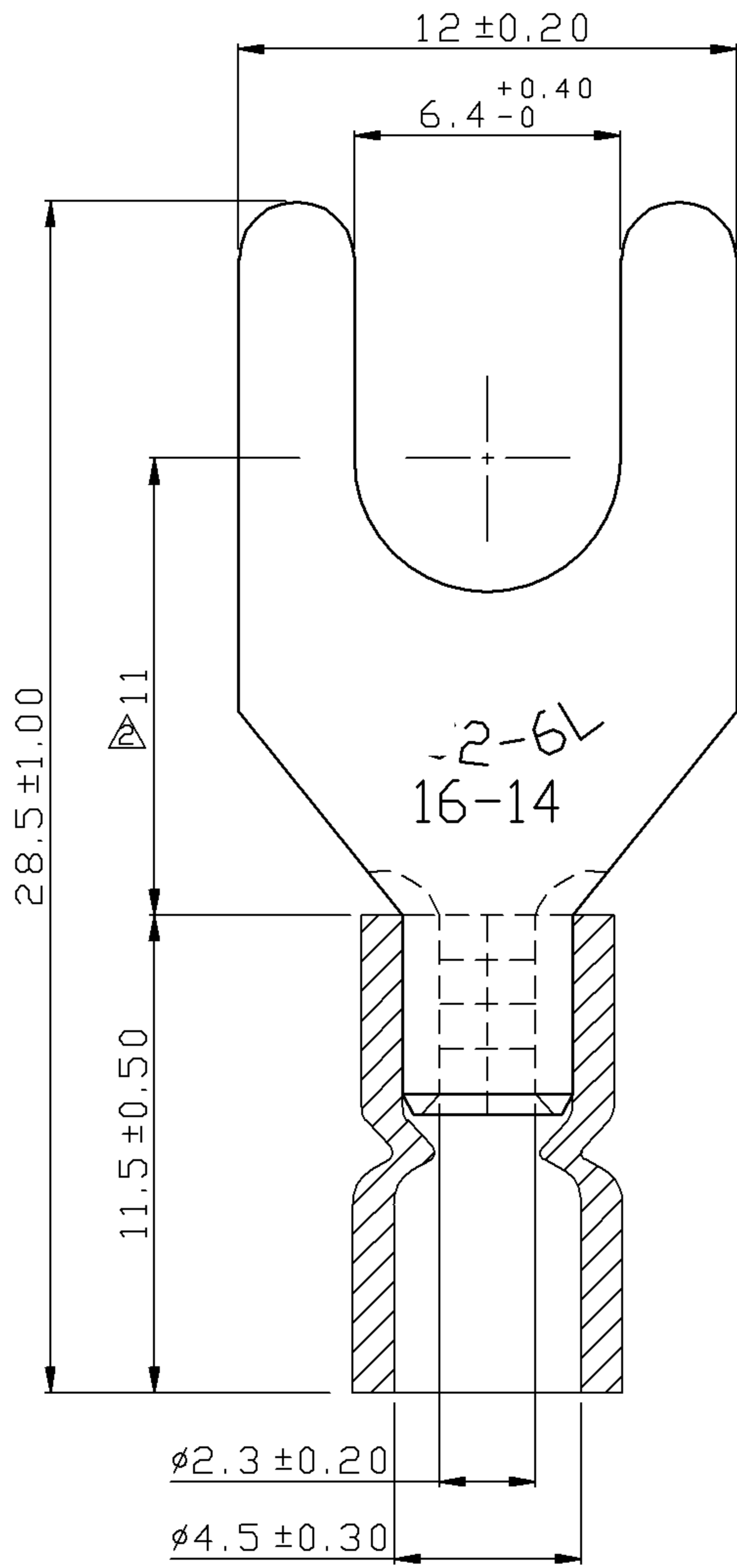
**Bag Qty** 100  
**Master Bag Qty** 1000

### Certifications

**UL** Yes  
**cUL** Yes  
**RoHS** Yes

Morris Products 53 Carey Road, Queensbury, NY 12804

[www.morrisproducts.com](http://www.morrisproducts.com)



REV	DESCRIPTION	DATE
△	RDK-97048	2008/09/12
△	RDK-97127	2008/09/12
△	RDK-98020	2009/07/24

- NOTE :
1. MAXIMUM ELECTRIC CURRENT : 

A.W.G.	16	14	
AMP.	18	30	
  2. MAXIMUM ELECTRICAL RATING : 105°C 600 VOLTS MAX.
  3. INSULATION MATERIAL : VINYL
  4. INSULATION COLOR : BLUE
  5. TERMINAL MATERIAL : COPPER
  6. WIRE RANGE : 16-14 A.W.G. ( 1.5-2.5 mm<sup>2</sup> )
  7. TERMINAL SURFACE TREATMENT : TIN PLATED
  8. TERMINAL THICKNESS : 0.80 mm

△	Tolerance Unless Otherwise Specified	
0 >	mm ±	ANGLE
>	mm ±	0° > ° REF ±
>	mm ±	° > ° ±
>	mm ±	° > ° ±

NAME	VINYL-INSULATED (EASY ENTRY) SPADE TERMINALS			UNIT	mm	
PART NO.	10138	MATERIAL	-----	APPROVE		
NUMBER		SCALE	SHEET	PAGE	CHECKED	
DATE	2006/06/22	4/1	1-3	10F2	DRAWN	

Morris Products Inc.  
53 Carey Rd. Queensbury NY 12804