



**Catalog Number** 10140  
**UPC Number** 60198610140  
**Description** Vinyl Insulated Fork Spade Terminal  
 12-10 AWG

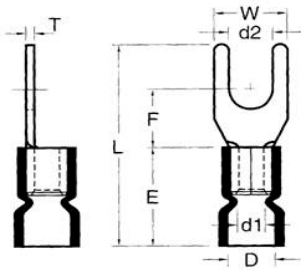


### Features

- Color Coded insulation for easy identification
- Manufactured from high strength copper alloy
- Electro-tin plated for corrosion resistance
- Easy entry expanded insulation eliminates strand “Hang Up”, increases the crimping rates and the reliability of the termination
- Wire range stamped on the surface for easy interpretation
- Butted seams prevent splitting under maximum pressure
- Serrated barrel & flared insulation sleeve provides excellent contact & mechanical stress relief at insulation & barrel junction

### General

**Insulation Type** Vinyl  
**Material** Copper Tubular/Copper Plate  
**Finish** Electro-Tin Plated  
**Color** Yellow  
**Wire Range** 12-10  
**Stud Size** #6



### Dimension Information

**L Inches (mm)** 1.047  
**D Inches (mm)** 0.248  
**D1 Inches (mm)** 0.134  
**D2 Inches (mm)** 0.146  
**E Inches (mm)** 0.555  
**F Inches (mm)** 0.276  
**W Inches (mm)** 0.327  
**T Inches (mm)** 0.039

### Specifications

**Temperature Rating** 105°C  
**Voltage Rating** 600 V  
**Flammability Rating** UL94V-O  
**Amp Rating** 12 AWG 35 Amps  
 10 AWG 50 Amps

### Packaging

**Bag Qty** 100  
**Master Bag Qty** 1000

### Certifications

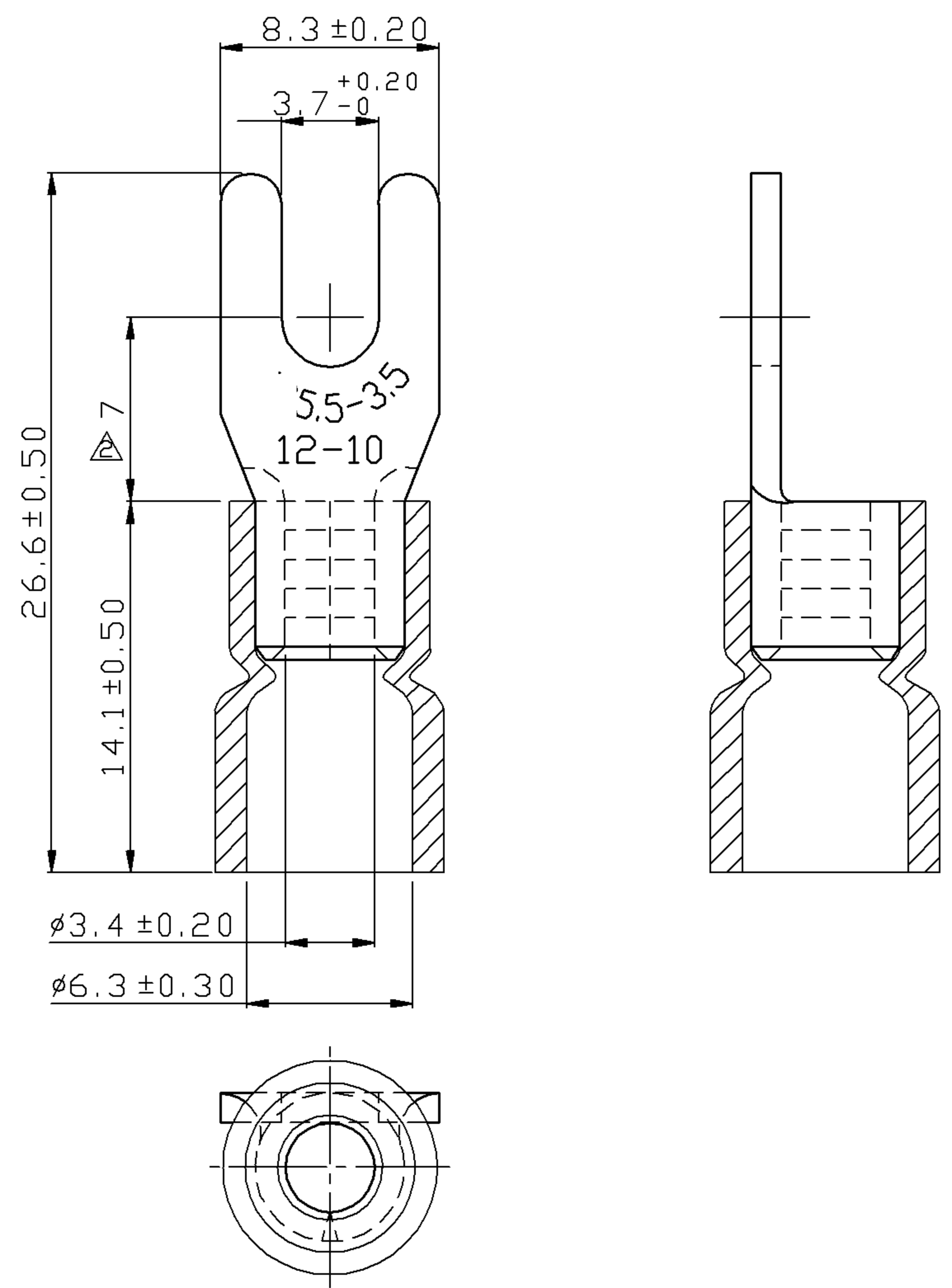
**UL** Yes  
**cUL** Yes  
**RoHS** Yes

Morris Products 53 Carey Road, Queensbury, NY 12804

[www.morrisproducts.com](http://www.morrisproducts.com)



REV	DESCRIPTION	DATE
△	RDK-97048	2008/09/12
△	RDK-97127	2008/09/12
△	RDK-98020	2009/07/24



- NOTE :
1. MAXIMUM ELECTRIC CURRENT : 

A.W.G.	12	10	
AMP.	35	50	
  2. MAXIMUM ELECTRICAL RATING : 105°C 600 VOLTS MAX.
  3. INSULATION MATERIAL : VINYL
  4. INSULATION COLOR : YELLOW
  5. TERMINAL MATERIAL : COPPER
  6. WIRE RANGE : 12-10 A.W.G. ( 4 - 6 mm<sup>2</sup> )
  7. TERMINAL SURFACE TREATMENT : TIN PLATED
  8. TERMINAL THICKNESS : 1.00 mm

△	Tolerance Unless Otherwise Specified		
0 >	mm ±	ANGLE	
>	mm ±	0° >	° REF ±
>	mm ±	° >	° ±
>	mm ±	° >	° ±

NAME	VINYL-INSULATED (EASY ENTRY) SPADE TERMINALS			UNIT	mm	
PART NO.	10140	MATERIAL	-----	APPROVE		
NUMBER		SCALE	SHEET	PAGE	CHECKED	
DATE	2006/06/22	3/1	1-3	10F2	DRAWN	

Morris Products Inc.  
53 Carey Rd Queensbury NY 12804