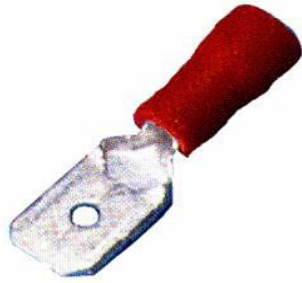




**Catalog Number** 10210  
**UPC Number** 60198610210  
**Description** Vinyl Insulated Male Disconnect Connectors  
22-16 AWG



#### Features

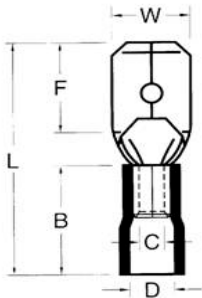
- Vinyl Color Coded insulation for easy identification
- Manufactured from high strength copper alloy
- Electro-tin plated for corrosion resistance
- Expanded insulation eliminates strand “Hang Up”, provides strain relief & excellent UV, temperature and chemical resistance
- Wire range stamped on the surface for easy interpretation
- Butted seams prevent splitting under maximum pressure
- Serrated barrel provides excellent electrical contact & pull-out force resistance

#### General

**Insulation Type** Vinyl  
**Material** Brass  
**Finish** Electro-Tin Plated  
**Color** Red  
**Wire Range** 22-16  
**Tab Size** .032 X .110

#### Dimension Information

**Stock Thickness** 0.016  
**L Inches (mm)** 0.728  
**B Inches (mm)** 0.394  
**C Inches (mm)** 0.067  
**D Inches (mm)** 0.157  
**F Inches (mm)** 0.256  
**W Inches (mm)** 0.11



#### Specifications

**Temperature Rating** 167°F (75°C)  
**Voltage Rating** 300 V  
**Flammability Rating** UL94V-O  
**Amp Rating**  
22 AWG 9 Amps  
20 AWG 12 Amps  
18 AWG 17 Amps  
16 AWG 18 Amps

#### Packaging

**Bag Qty** 100  
**Master Bag Qty** 1000

#### Certifications

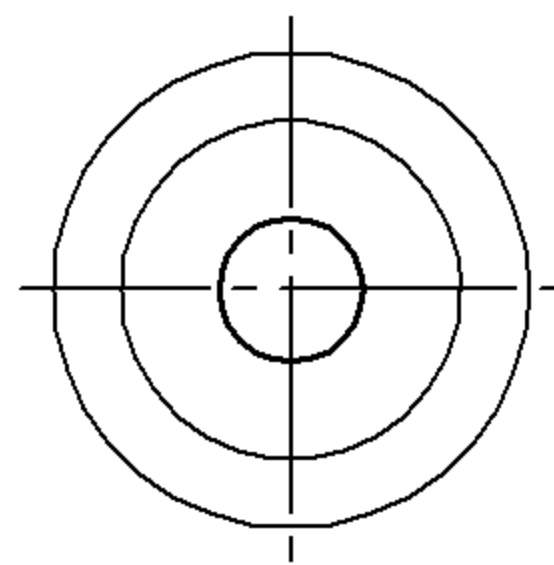
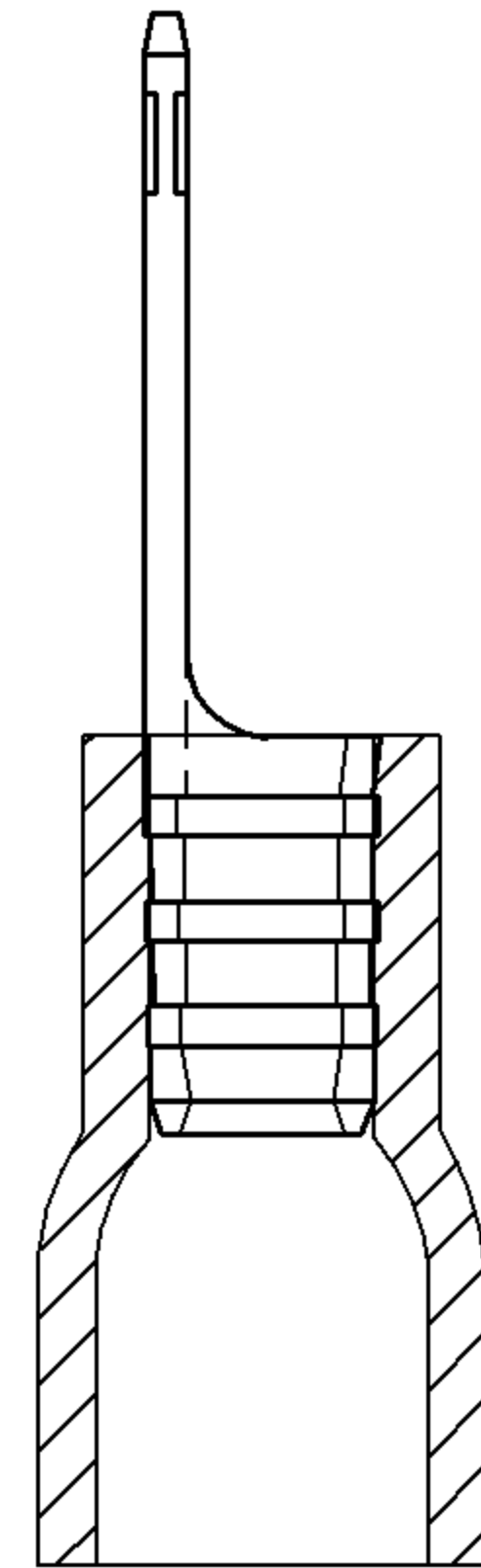
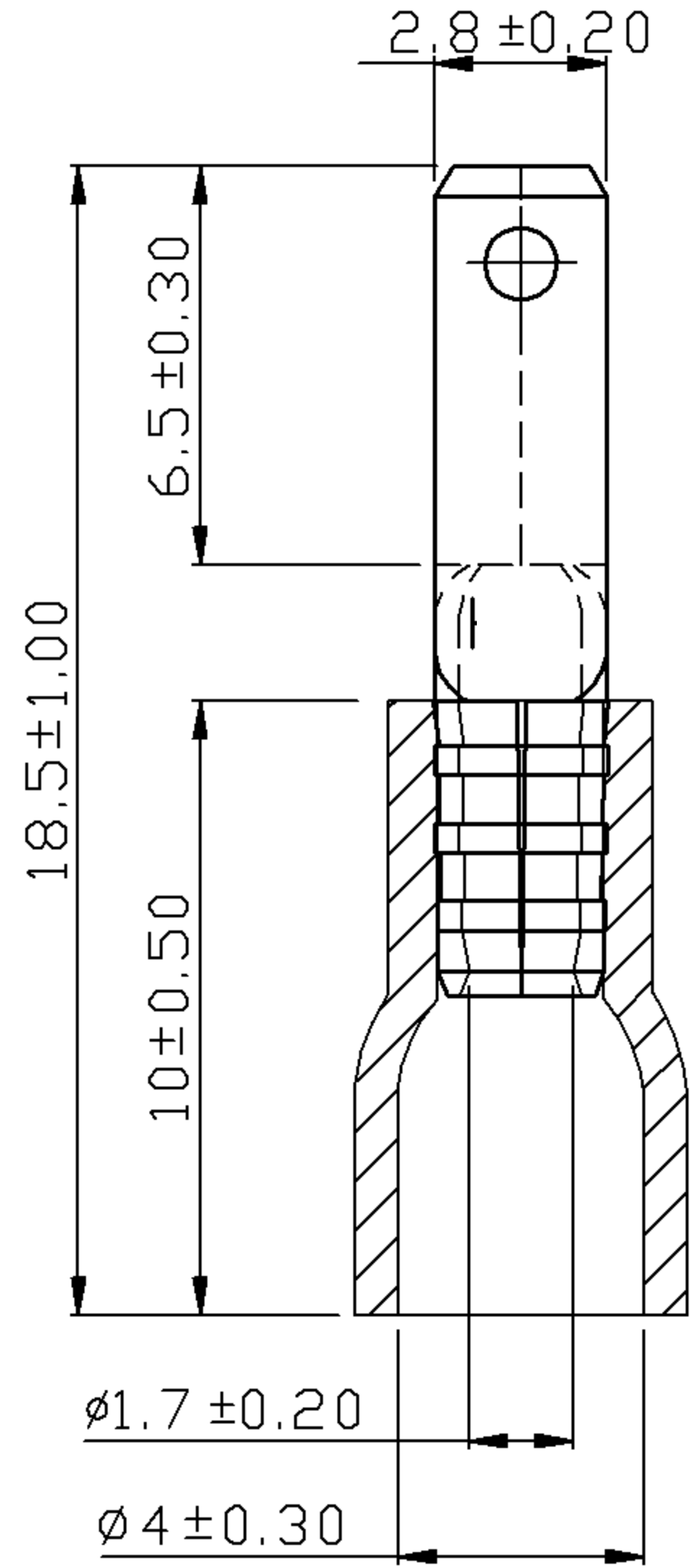
**UL** Yes  
**cUL** Yes  
**RoHS** Yes

Morris Products 53 Carey Road, Queensbury, NY 12804

[www.morrisproducts.com](http://www.morrisproducts.com)



REV	DESCRIPTION	DATE
-----	-------------	------



- NOTE :
1. MAXIMUM ELECTRIC CURRENT : 

A.W.G.	22	20	18	16
AMP.	3	4	7	10
  2. MAXIMUM ELECTRICAL RATING : 75°C 300 VOLTS MAX.
  3. INSULATION MATERIAL : VINYL
  4. INSULATION COLOR : RED
  5. TERMINAL MATERIAL : BRASS
  6. WIRE RANGE : 22-16 A.W.G. ( 0.5-1.5 mm<sup>2</sup> )
  7. NEMA TAB : 0.032 inch \* 0.110 inch ( 0.8 mm \* 2.80 mm )
  8. TERMINAL SURFACE TREATMENT : TIN PLATED
  9. TERMINAL THICKNESS : 0.40 mm

Tolerance Unless Otherwise Specified	
0 > 6 mm ± 0.20	ANGLE
6 > 18 mm ± 0.30	0° > ° REF ±
18 > 30 mm ± 0.40	° > ° ±
30 > 75 mm ± 0.50	° > ° ±

NAME	VINYL-INSULATED MALE DISCONNECTORS				UNIT	mm	
PART NO.	10210	MATERIAL	-----	APPROVE			
NUMBER		SCALE	SHEET	PAGE	CHECKED		
DATE	2006/06/13	4/1	1-0	10F2	DRAWN		

Morris Products Inc.  
53 Carey Rd. Queensbury, NY 12804