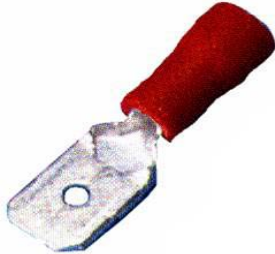




Catalog Number 10213
UPC Number 60198610213
Description Vinyl Insulated Male Disconnect Connectors
 22-16 AWG

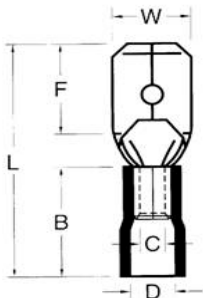


Features

- Vinyl Color Coded insulation for easy identification
- Manufactured from high strength copper alloy
- Electro-tin plated for corrosion resistance
- Expanded insulation eliminates strand “Hang Up”, provides strain relief & excellent UV, temperature and chemical resistance
- Wire range stamped on the surface for easy interpretation
- Butted seams prevent splitting under maximum pressure
- Serrated barrel provides excellent electrical contact & pull-out force resistance

General

Insulation Type Vinyl
 Material Brass
 Finish Electro-Tin Plated
 Color Red
 Wire Range 22-16
 Tab Size .032 X .187



Dimension Information

Stock Thickness 0.016
 L Inches (mm) 0.748
 B Inches (mm) 0.394
 C Inches (mm) 0.067
 D Inches (mm) 0.157
 F Inches (mm) 0.264
 W Inches (mm) 0.189

Specifications

Temperature Rating 167°F (75°C)
 Voltage Rating 300 V
 Flammability Rating UL94V-O
 Amp Rating 22 AWG 9 Amps
 20 AWG 12 Amps
 18 AWG 17 Amps
 16 AWG 18 Amps

Packaging

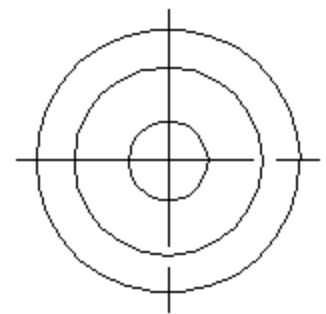
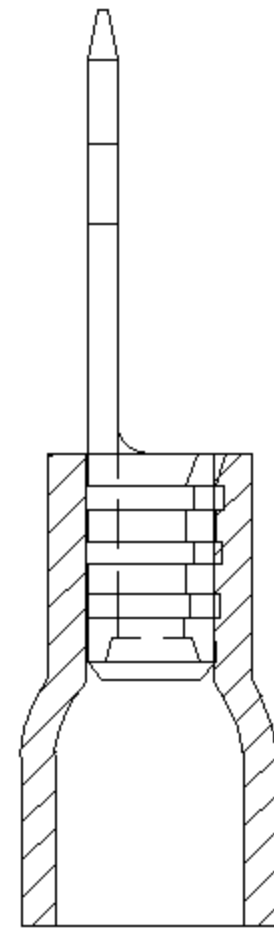
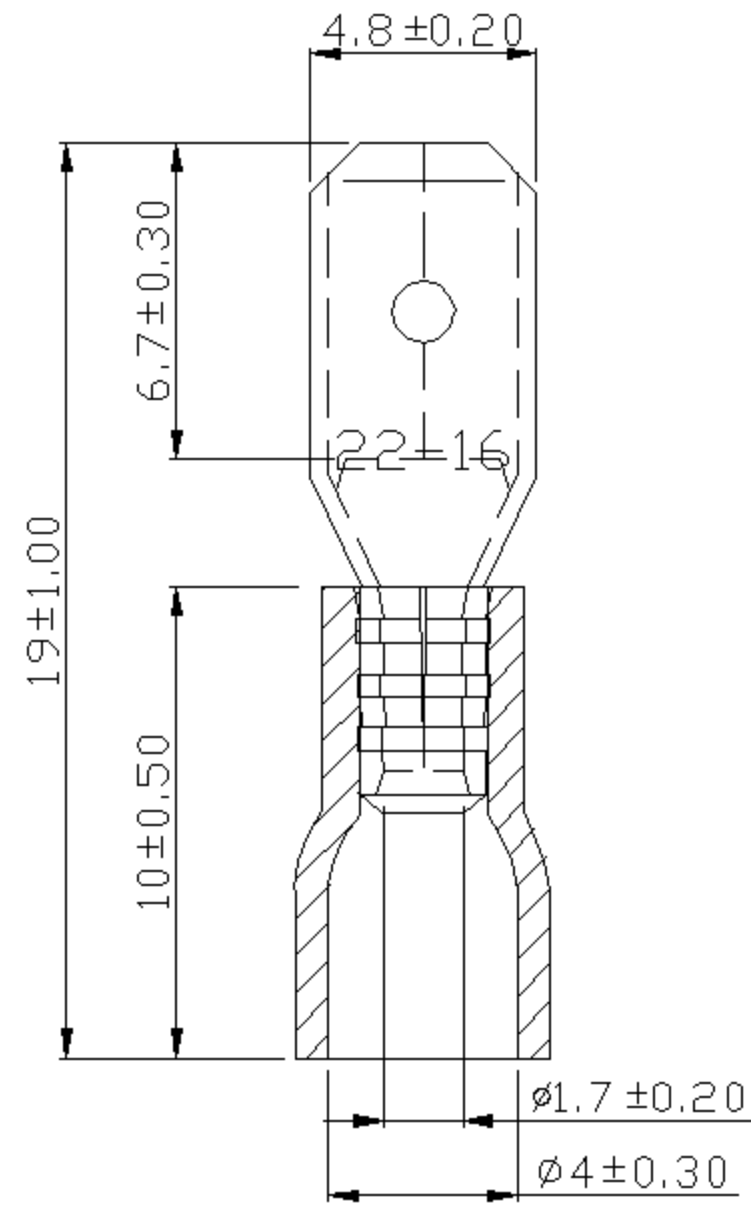
Bag Qty 100
 Master Bag Qty 1000

Certifications

UL Yes
 cUL Yes
 RoHS Yes



REV	DESCRIPTION	DATE
-----	-------------	------



- NOTE:
1. MAXIMUM ELECTRIC CURRENT :

A.W.G.	22	20	18	16
AMP.	3	4	7	10
 2. MAXIMUM ELECTRICAL RATING : 75°C 300 VOLTS MAX.
 3. INSULATION MATERIAL : VINYL
 4. INSULATION COLOR : RED
 5. TERMINAL MATERIAL : BRASS
 6. WIRE RANGE : 22-16 A.W.G.(0.5-1.5mm²)
 7. TERMINALS SURFACE TREATMENT : TIN PLATED
 8. TERMINALS THICKNESS : 0.4 mm
 9. NEMA TAB : 0.032 * 0.187 (0.8 * 4.75)

Tolerance Unless Otherwise Specified			
0 > 6 mm	±0.20	ANGLE	
6 > 18 mm	±0.30	0° >	° REF ±
18 > 30 mm	±0.40	° >	° ±
30 > 75 mm	±0.50	° >	° ±

NAME	VINYL-INSULATED MALE DISCONNECTORS				UNIT	mm	
PART NO.	10213	MATERIAL	-----	APPROVE			
NUMBER		SCALE	SHEET	PAGE	CHECKED		
DATE	2006/06/14	4/1	1-0	10F2	DRAWN		

Morris Products Inc.