



**Catalog Number** 10223  
**UPC Number** 60198610223  
**Description** Vinyl Insulated Male Disconnect Connectors  
16-14 AWG



#### Features

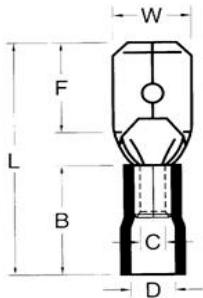
- Vinyl Color Coded insulation for easy identification
- Manufactured from high strength copper alloy
- Electro-tin plated for corrosion resistance
- Expanded insulation eliminates strand “Hang Up”, provides strain relief & excellent UV, temperature and chemical resistance
- Wire range stamped on the surface for easy interpretation
- Butted seams prevent splitting under maximum pressure
- Serrated barrel provides excellent electrical contact & pull-out force resistance

#### General

**Insulation Type** Vinyl  
**Material** Brass  
**Finish** Electro-Tin Plated  
**Color** Blue  
**Wire Range** 16-14  
**Tab Size** .032 X .187

#### Dimension Information

**Stock Thickness** 0.016  
**L Inches (mm)** 0.748  
**B Inches (mm)** 0.394  
**C Inches (mm)** 0.091  
**D Inches (mm)** 0.177  
**F Inches (mm)** 0.264  
**W Inches (mm)** 0.189



#### Specifications

**Temperature Rating** 167°F (75°C)  
**Voltage Rating** 300 V  
**Flammability Rating** UL94V-O  
**Amp Rating** 14 AWG 30 Amps  
16 AWG 18 Amps

#### Packaging

**Bag Qty** 100  
**Master Bag Qty** 1000

#### Certifications

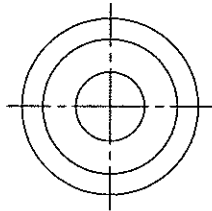
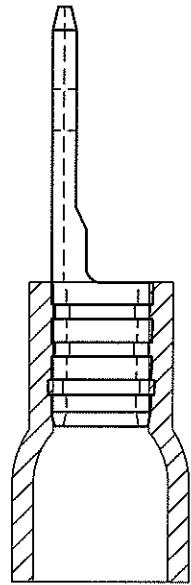
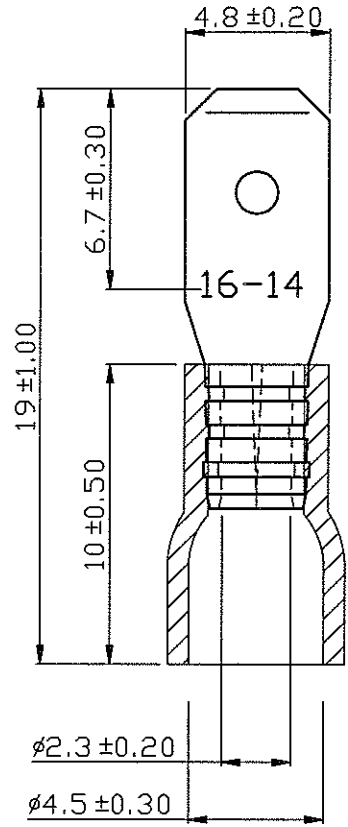
**UL** Yes  
**cUL** Yes  
**RoHS** Yes

Morris Products 53 Carey Road, Queensbury, NY 12804

[www.morrisproducts.com](http://www.morrisproducts.com)



REV	DESCRIPTION	DATE
-----	-------------	------



NOTE :

1. MAXIMUM ELECTRIC CURRENT : 

A.W.G.	16	14	
AMP.	10	5	
2. MAXIMUM ELECTRICAL RATING : 75°C 300 VOLTS MAX.
3. INSULATION MATERIAL : VINYL
4. INSULATION COLOR : BLUE
5. TERMINAL MATERIAL : BRASS
6. WIRE RANGE : 16-14 A.W.G. ( 1.5-2.5 mm<sup>2</sup> )
7. NEMA TAB : 0.032 inch \* 0.187 inch ( 0.8 mm \* 4.75 mm )
8. TERMINAL SURFACE TREATMENT : TIN PLATED
9. TERMINAL THICKNESS : 0.40 mm

Tolerance Unless Otherwise Specified	
0 > 6 mm ± 0.20	ANGLE
6 > 18 mm ± 0.30	0° REF ±
18 > 30 mm ± 0.40	±
30 > 75 mm ± 0.50	±

NAME	VINYL-INSULATED MALE DISCONNECTS				UNIT	
PART NO.	10223	MATERIAL	-----	APPROVE		
NUMBER		SCALE	SHEET	PAGE	CHECKED	
DATE	2006/06/14	4/1	1-0	10F2	DRAWN	

Morris Products Inc.