



**Catalog Number** 10314  
**UPC Number** 60198610314  
**Description** Vinyl Insulated Female Disconnect Connectors  
 22-16



#### Features

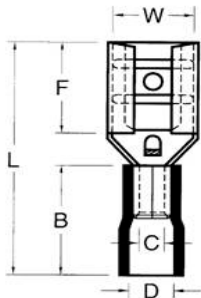
- Vinyl Color Coded insulation for easy identification
- Manufactured from high strength copper alloy
- Electro-tin plated for corrosion resistance
- Expanded insulation eliminates strand “Hang Up”, provides strain relief & excellent UV, temperature and chemical resistance
- Wire range stamped on the surface for easy interpretation
- Butted seams prevent splitting under maximum pressure
- Serrated barrel provides excellent pull-out force resistance & electrical contact

#### General

Insulation Type Vinyl  
 Material Brass  
 Finish Electro-Tin Plated  
 Color Red  
 Wire Range 22-16  
 Tab Size .032 X .250

#### Dimension Information

T Inches (mm) 0.016  
 L Inches (mm) 0.807  
 B Inches (mm) 0.394  
 C Inches (mm) 0.067  
 D Inches (mm) 0.157  
 F Inches (mm) 0.287  
 W Inches (mm) 0.26



#### Specifications

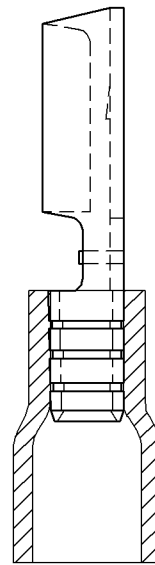
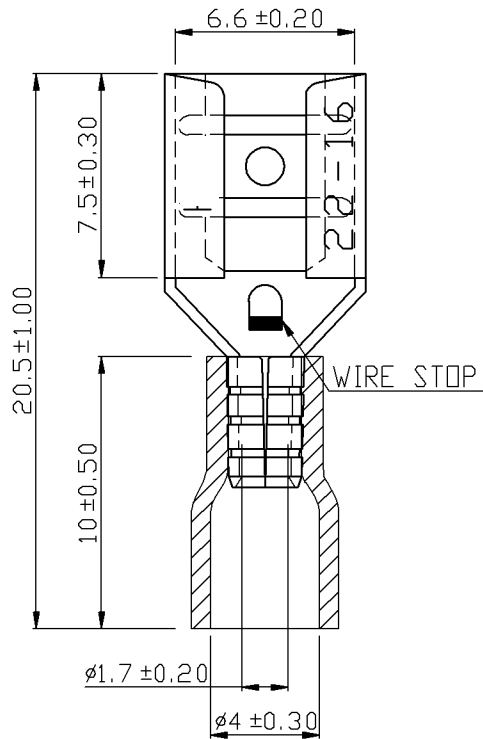
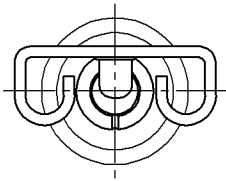
Temperature Rating 167°F (75°C)  
 Voltage Rating 300 V  
 Flammability Rating UL94V-O  
 Amp Rating 22 AWG 9 Amps  
 20 AWG 12 Amps  
 18 AWG 17 Amps  
 16 AWG 18 Amps

#### Packaging

Bag Qty 100  
 Master Bag Qty 1000

#### Certifications

UL Yes  
 cUL Yes  
 RoHS Yes



REV	DESCRIPTION	DATE
△	RDC-98017	2007/11/02

NOTE :

1. MAXIMUM ELECTRIC CURRENT : 

A.W.G.	22	20	18	16
AMP.	3	4	7	10
2. MAXIMUM ELECTRICAL RATING : 75°C 300 VOLTS MAX.
3. INSULATION MATERIAL : VINYL
4. INSULATION COLOR : RED
5. TERMINAL MATERIAL : BRASS
6. WIRE RANGE : 22-16 A.W.G. ( 0.5-1.5 mm<sup>2</sup> )
7. NEMA TAB : 0.032 inch \* 0.250 inch ( 0.8 mm \* 6.35 mm )
8. TERMINAL SURFACE TREATMENT : TIN PLATED
9. TERMINAL THICKNESS : 0.40 mm

Tolerance Unless Otherwise Specified	
0 > 6 mm ± 0.20	ANGLE
6 > 18 mm ± 0.30	0° > ° REF ±
18 > 30 mm ± 0.40	° > ° ±
30 > 75 mm ± 0.50	° > ° ±

NAME	VINYL-INSULATED FEMALE DISCONNECTORS				UNIT	mm	
PART NO.	10314	MATERIAL	-----	APPROVE			
NUMBER		SCALE	SHEET	PAGE	CHECKED		
DATE	2006/04/26	4/1	1-1	10F2	DRAWN		

Morris Products Inc.