



**Catalog Number** 10323  
**UPC Number** 60198610323  
**Description** Vinyl Insulated Female Disconnect Connectors  
 16-14



**Features**

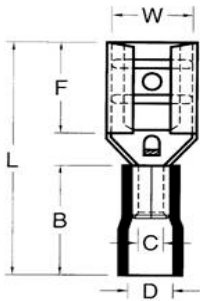
- Vinyl Color Coded insulation for easy identification
- Manufactured from high strength copper alloy
- Electro-tin plated for corrosion resistance
- Expanded insulation eliminates strand “Hang Up”, provides strain relief & excellent UV, temperature and chemical resistance
- Wire range stamped on the surface for easy interpretation
- Butted seams prevent splitting under maximum pressure
- Serrated barrel provides excellent pull-out force resistance & electrical contact

**General**

Insulation Type Vinyl  
 Material Brass  
 Finish Electro-Tin Plated  
 Color Blue  
 Wire Range 16-14  
 Tab Size .032 X .187

**Dimension Information**

T Inches (mm) 0.016  
 L Inches (mm) 0.748  
 B Inches (mm) 0.394  
 C Inches (mm) 0.091  
 D Inches (mm) 0.177  
 F Inches (mm) 0.252  
 W Inches (mm) 0.197



**Specifications**

Temperature Rating 167°F (75°C)  
 Voltage Rating 300 V  
 Flammability Rating UL94V-O  
 Amp Rating 14 AWG 30 Amps  
 16 AWG 18 Amps

**Packaging**

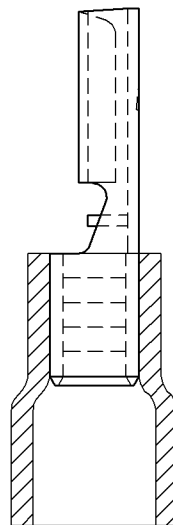
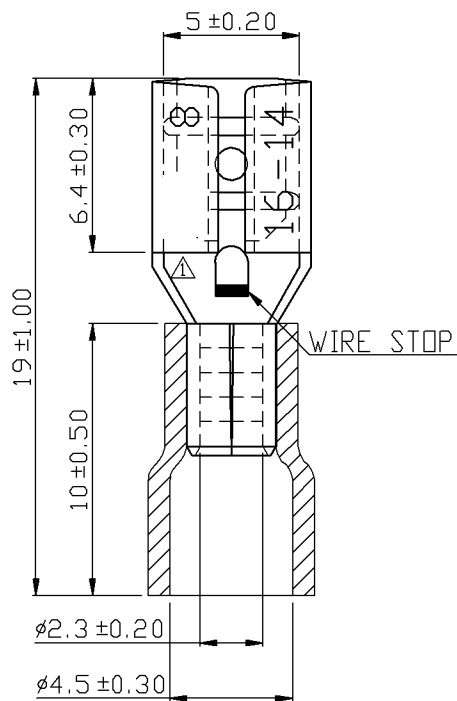
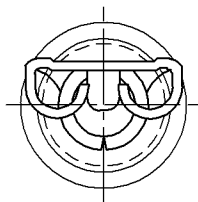
Bag Qty 100  
 Master Bag Qty 1000

**Certifications**

UL Yes  
 cUL Yes  
 RoHS Yes

Morris Products 53 Carey Road, Queensbury, NY 12804

[www.morrisproducts.com](http://www.morrisproducts.com)



REV	DESCRIPTION	DATE
△	RDC-98662	2009/10/23

NOTE :

1. MAXIMUM ELECTRIC CURRENT : 

A.W.G.	16	14	
AMP.	10	15	
2. MAXIMUM ELECTRICAL RATING : 75°C 300 VOLTS MAX.
3. INSULATION MATERIAL : VINYL
4. INSULATION COLOR : BLUE
5. TERMINAL MATERIAL : BRASS
6. WIRE RANGE : 16-14 A.W.G. ( 1.5-2.5 mm<sup>2</sup> )
7. NEMA TAB : 0.032 inch \* 0.187 inch ( 0.8 mm \* 4.75 mm )
8. TERMINAL SURFACE TREATMENT : TIN PLATED
9. TERMINAL THICKNESS : 0.35 mm

Tolerance Unless Otherwise Specified	
0 > 6 mm ± 0.20	ANGLE
6 > 18 mm ± 0.30	0° ° REF ±
18 > 30 mm ± 0.40	° ° ±
30 > 75 mm ± 0.50	° ° ±

NAME	VINYL-INSULATED FEMALE DISCONNECTORS			UNIT	mm	
PART NO.	10323	MATERIAL	-----	APPROVE		
NUMBER		SCALE	SHEET	PAGE	CHECKED	
DATE	2006/04/19	4/1	1-1	10F2	DRAWN	

Morris Products Inc.