



Catalog Number 10415
UPC Number 60198610415
Description Nylon Fully Insulated Male Disconnect
 22-16 AWG



Features

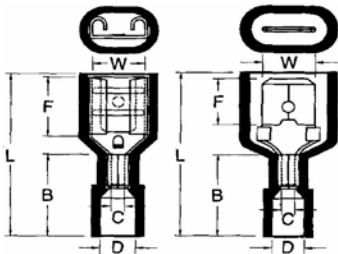
- Nylon Color Coded insulation for easy identification
- Manufactured from high strength copper alloy
- Electro-tin plated for corrosion resistance
- Expanded insulation eliminates strand “Hang Up”, provides strain relief & excellent UV, temperature and chemical resistance
- Wire range stamped on the surface for easy interpretation
- Brazed seams prevent splitting under maximum pressure
- Serrated barrel provides excellent electrical contact & pull-out force resistance

General

Insulation Type Nylon
Material Brass
Finish Electro-Tin Plated
Color Red
Wire Range 22-16
Tab Size .250 X .032

Dimension Information

Stock Thickness 0.016
L Inches (mm) 0.906
B Inches (mm) 0.433
C Inches (mm) 0.067
D Inches (mm) 0.157
F Inches (mm) 0.303
W Inches (mm) 0.25



Specifications

Temperature Rating 105°C
Voltage Rating 300 V
Flammability Rating UL94V-O
Amp Rating

22 AWG	3 Amps
20 AWG	4 Amps
18 AWG	7 Amps
16 AWG	10 Amps

Packaging

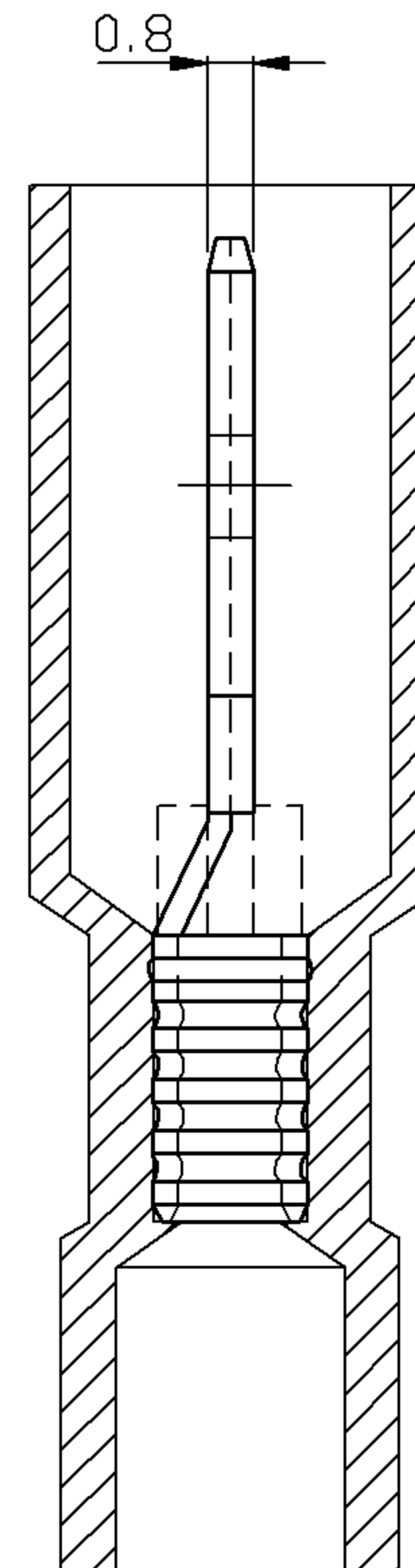
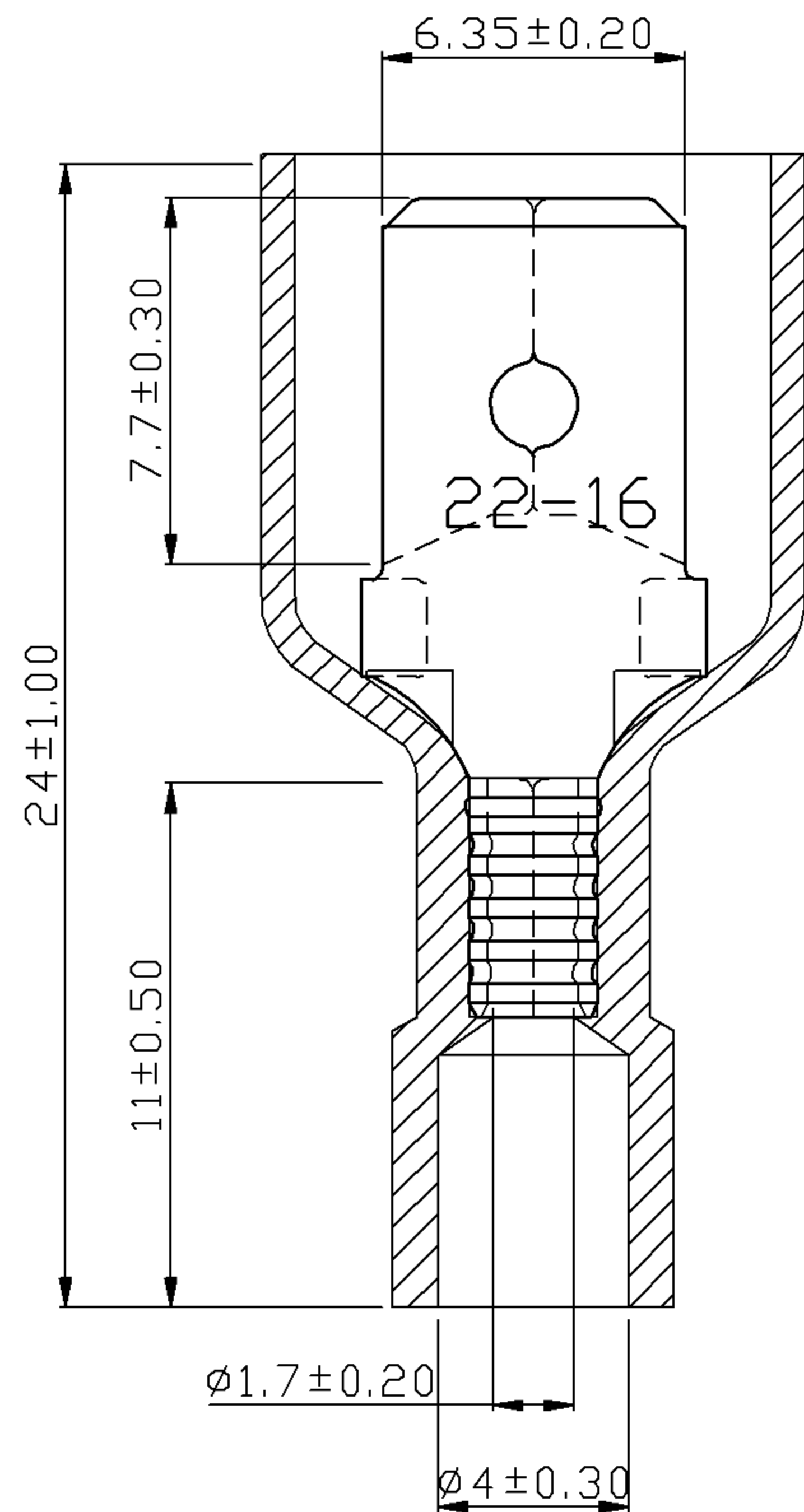
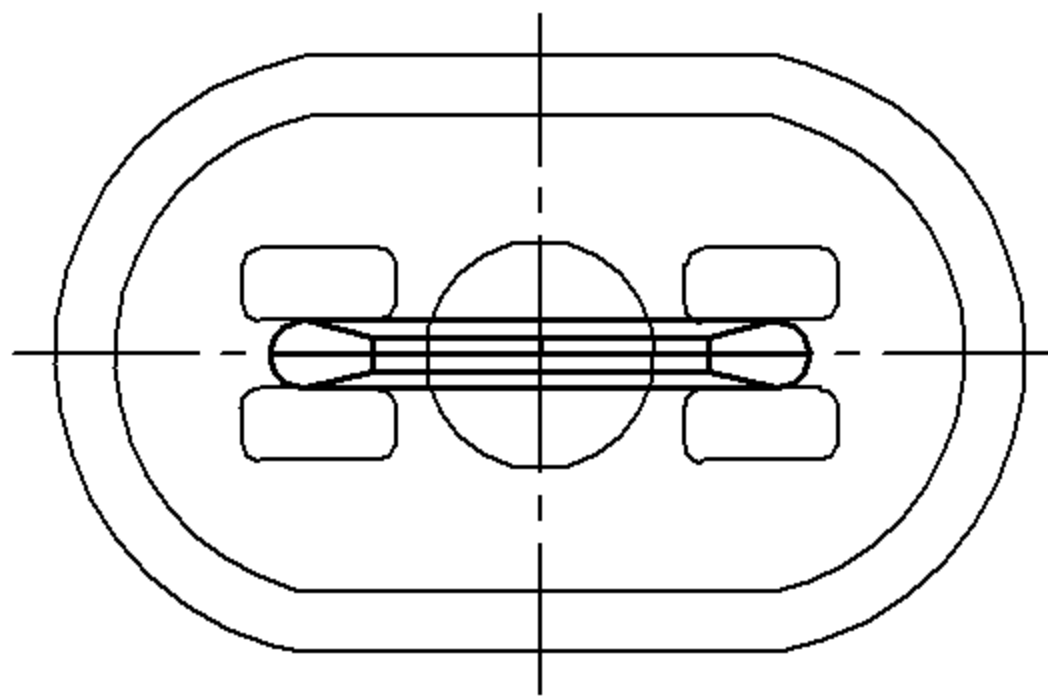
Bag Qty 100
Master Bag Qty 1000

Certifications

UL Yes
cUL Yes
RoHS Yes



REV	DESCRIPTION	DATE
-----	-------------	------



- NOTE :
1. MAXIMUM ELECTRIC CURRENT :

A.W.G.	22	20	18	16
AMP.	3	4	7	10
 2. MAXIMUM ELECTRICAL RATING : 105°C 300 VOLTS MAX.
 3. INSULATION MATERIAL : NYLON
 4. INSULATION COLOR : RED
 5. TERMINAL MATERIAL : BRASS
 6. WIRE RANGE : 22-16 A.W.G. (0.5-1.5 mm²)
 7. NEMA TAB : 0.032 inch * 0.250 inch (0.8 mm * 6.35 mm)
 8. TERMINAL SURFACE TREATMENT : TIN PLATED
 9. TERMINAL THICKNESS : 0.40 mm

Tolerance Unless Otherwise Specified	
0 > 6 mm ± 0.20	ANGLE
6 > 18 mm ± 0.30	0° > ° REF ±
18 > 30 mm ± 0.40	° ±
30 > 75 mm ± 0.50	° ±

NAME	NYLON-FULLY INSULATED MALE DISCONNECTORS			UNIT	mm	
PART NO.	10415	MATERIAL	-----	APPROVE		
NUMBER		SCALE	SHEET	PAGE	CHECKED	
DATE	2009/11/06	4/1	1-0	10F2	DRAWN	

Morris Products Inc.
53 Carey Rd. Queensbury, NY 12804