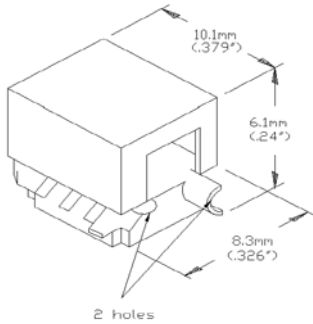




**Catalog Number** 10752  
**UPC Number** 60198610752  
**Description** 2 Port UB Insulation Displacement Telecommunications Conector



#### Features

- Splice/Tap Solid Low Voltage Telecommunications wire
- Tap onto exiting conductor without service interruption
- Corrosion Resistant Gel Sealant

#### General

**Insulation Type** N/A  
**Material** ThermoPlastic/Stainless Steel  
**Finish** N/A  
**Color** Blue  
**Wire Range** 22-26  
**Tab Size** N/A

#### Dimension Information

**Length** 0.326  
**Width** 0.379  
**Height** 0.24  
**Insulation Thickness** 0.05

#### Specifications

**Temperature Rating** 105°C  
**Voltage Rating** 12 V  
**Flammability Rating** UL94V-O  
**Amp Rating** N/A

#### Packaging

**Bag Qty** 25/100

#### Certifications

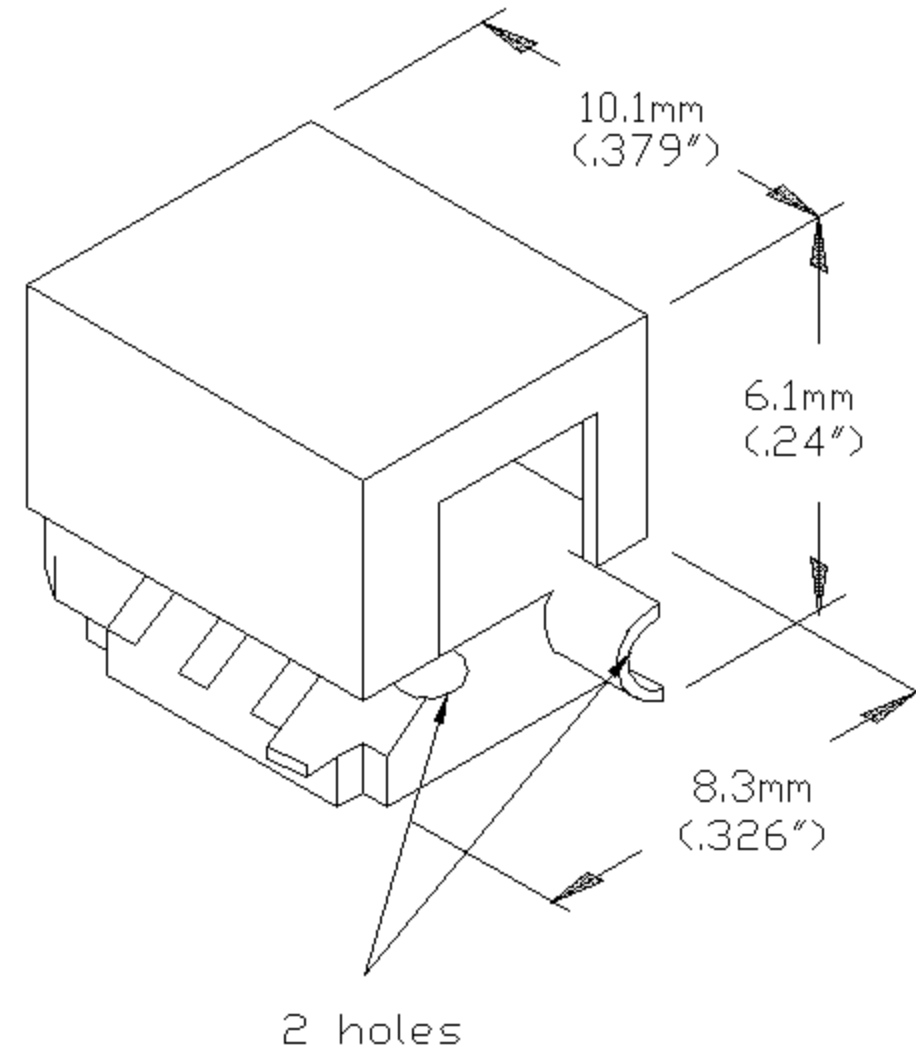
**UL** Yes  
**cUL** Yes  
**RoHS** Yes

Morris Products 53 Carey Road, Queensbury, NY 12804

[www.morrisproducts.com](http://www.morrisproducts.com)



REV	DESCRIPTION	DATE
-----	-------------	------



TYPE CONNECTOR	Maximum Insulation O.D.		CABLE TAPE					
	metric (mm)	inch	PIC-unfilled		PIC-filled		Pulp or Paper	
			metric (mm)	A.W.G.	metric (mm)	A.W.G.	metric (mm)	A.W.G.
	1.27	.050	.7-.4	22-26	.5-.4	24-26	.7-.4	22-26
					Note: Can be used on 22 AWG (.65mm) Foam Insulated Cable			

Tolerance Unless Otherwise Specified	
0 > 6 mm ± 0.20	ANGLE
6 > 18 mm ± 0.30	0° REF ±
18 > 30 mm ± 0.40	° ±
30 > 75 mm ± 0.50	° ±

NAME	TELECOMMUNICATION SPlicing CONNECTORS			UNIT	
PART NO.	10752	MATERIAL	-----	APPROVE	
NUMBER		SCALE	SHEET PAGE	CHECKED	
DATE	2006/09/12	4/1	1-0 10F1	DRAWN	

Morris Products Inc.