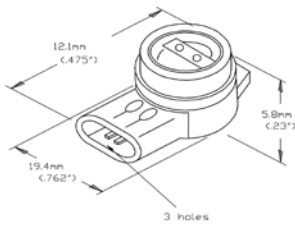




Catalog Number 10754
UPC Number 60198610754
Description 3 Port UR Insulation Displacement
Telecommunications Connector



Features

- Splice/Tap Solid Low Voltage Telecommunications wire
- Tap onto exiting conductor without service interruption
- Corrosion Resistant Gel Sealant
- Butt Splice configuration for pedestal mounts and pigtails

General

Insulation Type N/A
Material ThermoPlastic/Stainless Steel
Finish N/A
Color Red
Wire Range 19-26
Tab Size N/A

Dimension Information

Length 0.762
Width 0.475
Height 0.23
Insulation Thickness 0.05

Specifications

Temperature Rating 105°C
Voltage Rating 12 V
Flammability Rating UL94V-O
Amp Rating N/A

Packaging

Bag Qty 25/100

Certifications

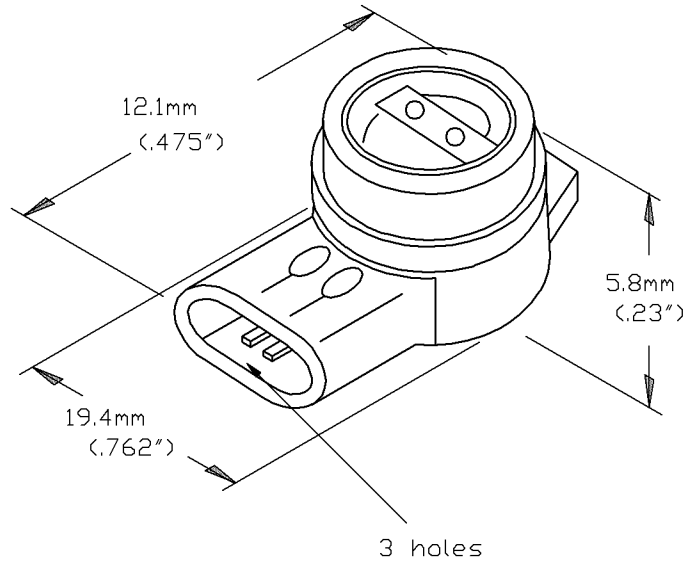
UL Yes
cUL Yes
RoHS Yes

Morris Products 53 Carey Road, Queensbury, NY 12804

www.morrisproducts.com



REV	DESCRIPTION	DATE
△ RDC-98599		2009/09/28



NOTE :
 △ 1. TERMINAL MATERIAL : BRASS

TYPE CONNECTOR	Maximum Insulation O.D.		CABLE TAPE					
	mm	inch	PIC-unfilled		PIC-filled		Pulp or Paper	
			mm	A.W.G.	mm	A.W.G.	mm	A.W.G.
	1.67	.066	.9-.4	19-26	.7-.4	22-26	.9-.4	19-26
					Note: Can be used on 19 AWG (9mm) Foam Insulated Cable			

Tolerance Unless Otherwise Specified	
0 > 6 mm ± 0.20	ANGLE
6 > 18 mm ± 0.30	0° REF ±
18 > 30 mm ± 0.40	° ±
30 > 75 mm ± 0.50	° ±

NAME	TELECOMMUNICATION SPLICING CONNECTORS			UNIT	mm	
PART NO.	10754	MATERIAL	-----	APPROVE		
NUMBER		SCALE	SHEET	PAGE	CHECKED	
DATE	2006/09/12	4/1	1-1	10F1	DRAWN	

Morris Products Inc.