



Catalog Number 10774
UPC Number 60198610774
Description In-Line Insulation Displacement Splice
18-14 AWG

Features

- Pre-insulated Insulation Displacement Splice/Tap
- Tap onto exiting conductor without service interruption

General

Insulation Type Polypropylene
Material Brass
Finish Electro-tin plated
Color Blue
Wire Range 18-14
Tab Size N/A

Dimension Information

Length 1.063
Width 0.787
Height 0.51

Specifications

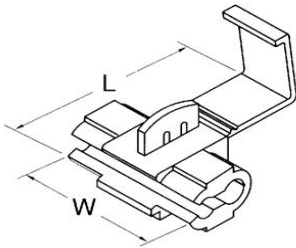
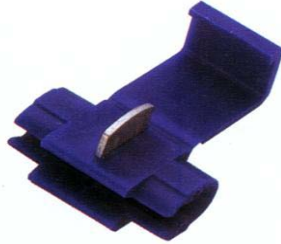
Temperature Rating 150°C
Voltage Rating 600 V
Flammability Rating UL94V-O
Amp Rating 14 AWG 15 Amps
16 AWG 10 Amps
18 AWG 7 Amps

Packaging

Bag Qty 25/100

Certifications

UL Yes
cUL Yes
RoHS Yes

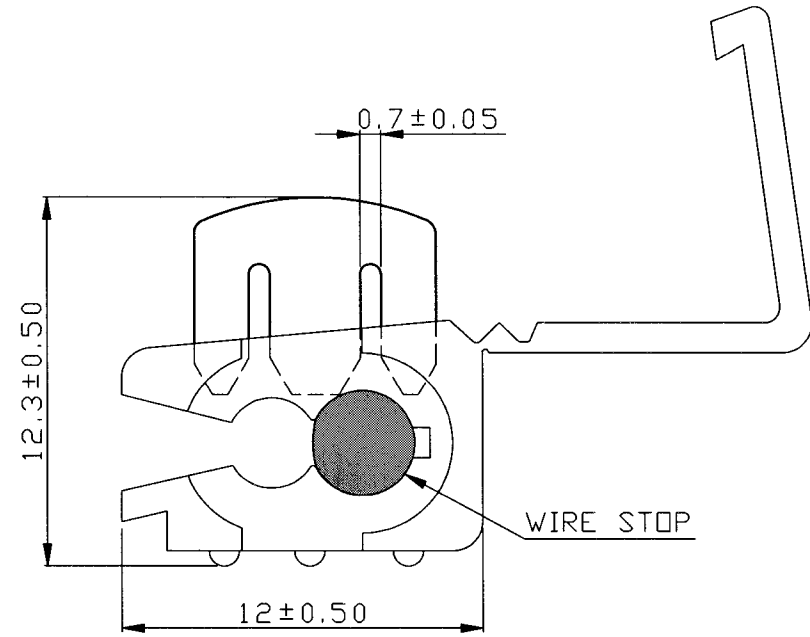
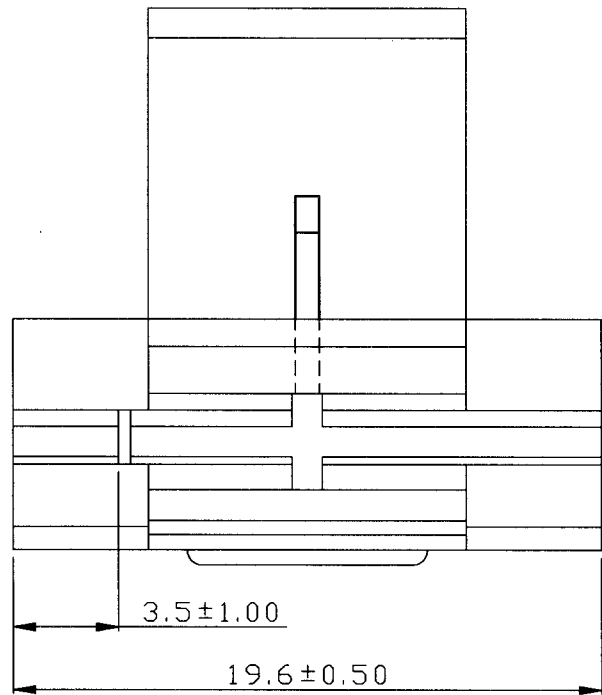


Morris Products 53 Carey Road, Queensbury, NY 12804

www.morrisproducts.com



REV	DESCRIPTION	DATE
-----	-------------	------



NOTE:

1. MAXIMUM ELECTRIC CURRENT :

A.W.G.	18	16	14
AMP.	7	10	15
2. MAXIMUM ELECTRICAL RATING : 105°C 600 VOLTS MAX.
3. INSULATION MATERIAL : P.P.
4. INSULATION COLOR : BLUE
5. TERMINAL MATERIAL : BRASS
6. WIRE RANGE : 18-14 A.W.G.(0.75-2.5 mm²)
7. TERMINAL THICKENSS : 0.8 mm
8. PLATING : TIN PLATED

Tolerance Unless Otherwise Specified	
0 > 6 mm ± 0.20	ANGLE
6 > 18 mm ± 0.30	0° > ° REF ±
18 > 30 mm ± 0.40	±
30 > 75 mm ± 0.50	±

NAME	QUICK SPLICE CONNECTORS				UNIT
PART NO.	10774	MATERIAL	-----	APPROVE	
NUMBER	KA-951257-C	SCALE	SHEET	PAGE	CHECKED
DATE	2006/09/04	4/1	1-0	10F2	DRAWN

Morris Products Inc.