



Catalog Number 10776
UPC Number 60198610776
Description In-Line Insulation Displacement Splice
12-10 AWG

Features

- Pre-insulated Insulation Displacement Splice/Tap
- Tap onto exiting conductor without service interruption



General

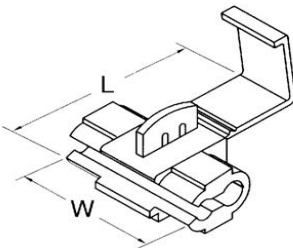
Insulation Type Polypropylene
Material Brass
Finish Electro-tin plated
Color Yellow
Wire Range 12-10
Tab Size N/A

Dimension Information

Length 1.358
Width 0.807
Height 0.51

Specifications

Temperature Rating 150°C
Voltage Rating 600 V
Flammability Rating UL94V-O
Amp Rating 14 AWG 15 Amps
16 AWG 10 Amps
18 AWG 7 Amps



Packaging

Bag Qty 25/100

Certifications

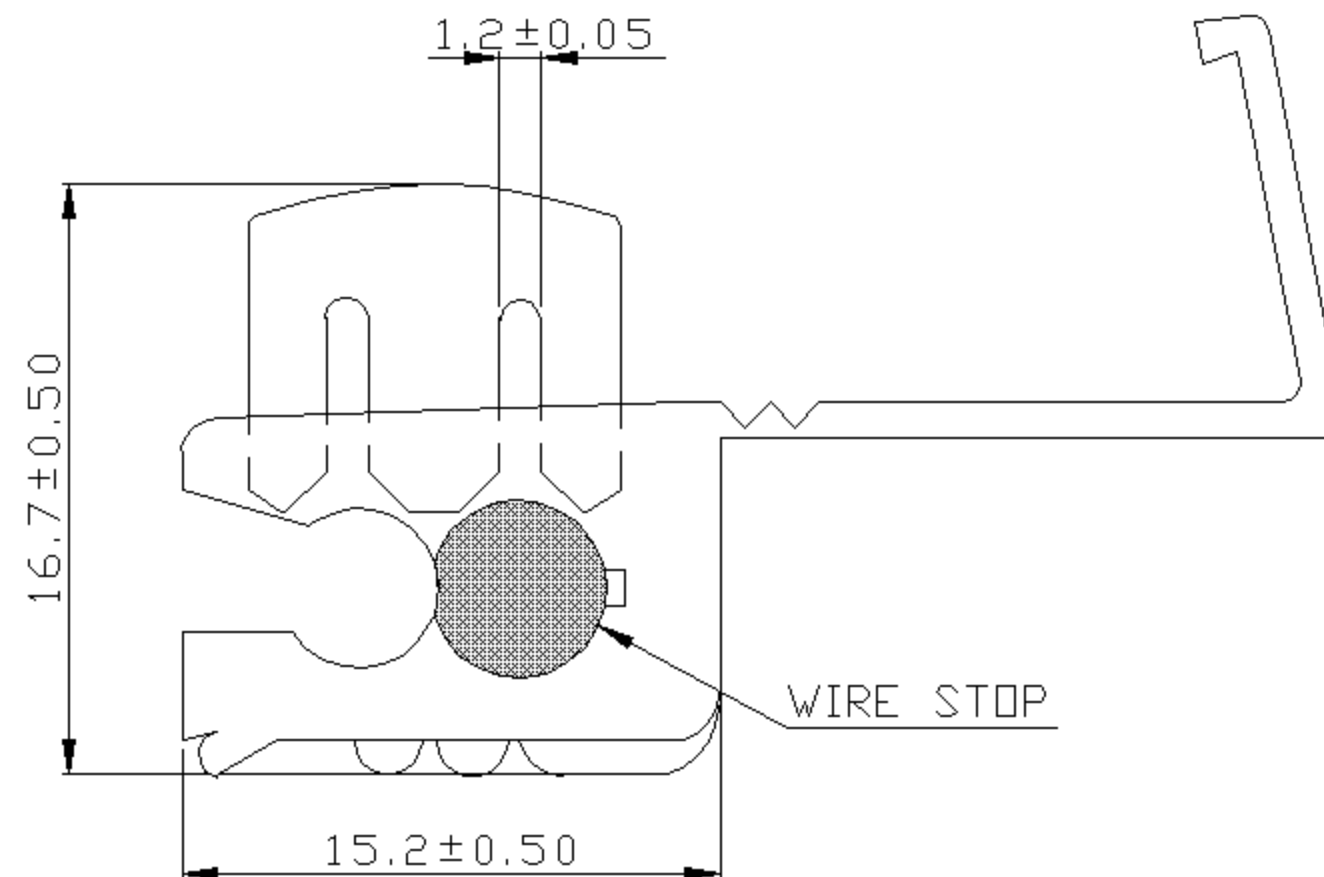
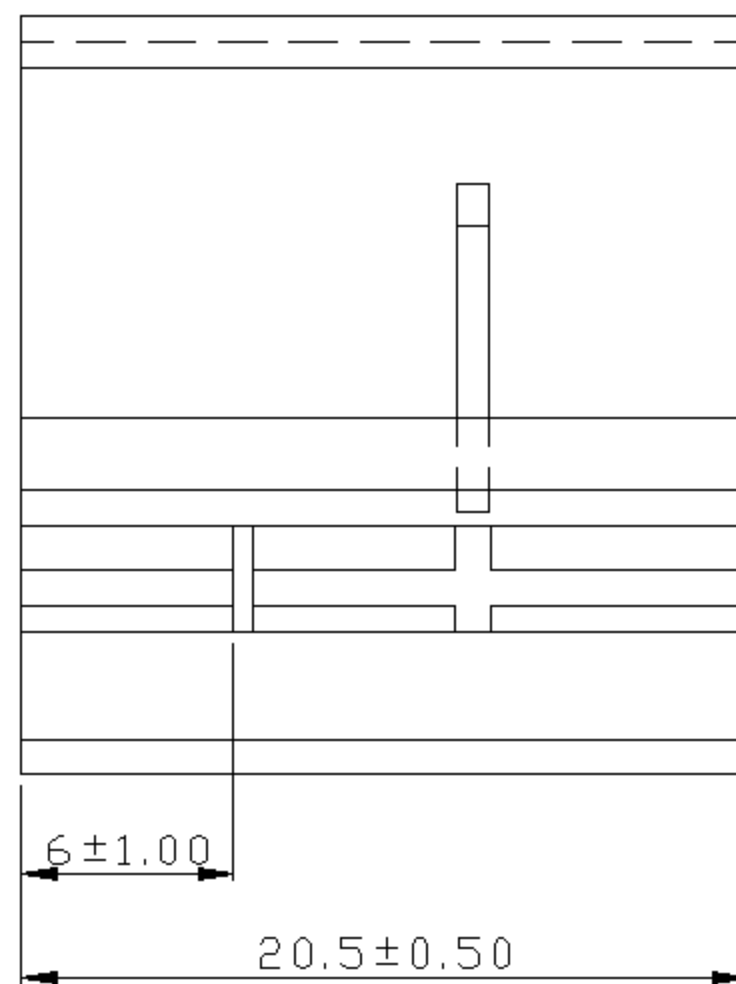
UL Yes
cUL Yes
RoHS Yes

Morris Products 53 Carey Road, Queensbury, NY 12804

www.morrisproducts.com



REV	DESCRIPTION	DATE
-----	-------------	------



NOTE:

1. MAXIMUM ELECTRIC CURRENT :

A.W.G.	12	10	
AMP.	20	24	
2. MAXIMUM ELECTRICAL RATING : 105°C 600 VOLTS MAX.
3. INSULATION MATERIAL : P.P.
4. INSULATION COLOR : YELLOW
5. TERMINAL MATERIAL : BRASS
6. WIRE RANGE : 12-10 A.W.G.(4-6 mm²)
7. TERMINAL THICKENSS : 0.9 mm
8. PLATING : TIN PLATED

Tolerance Unless Otherwise Specified	
0 > 6 mm ± 0.20	ANGLE
6 > 18 mm ± 0.30	0° REF ±
18 > 30 mm ± 0.40	±
30 > 75 mm ± 0.50	±

NAME	QUICK SPLICE CONNECTORS	UNIT	
PART NO.	10776	MATERIAL	----- APPROVE
NUMBER	KA-951258-C	SCALE	SHEET PAGE CHECKED
DATE	2006/09/04	3/1	1-0 10F1 DRAWN

Morris Products Inc.