



Catalog Number 11014
UPC Number 60198611014
Description Non-Insulated Ring Terminals



Features

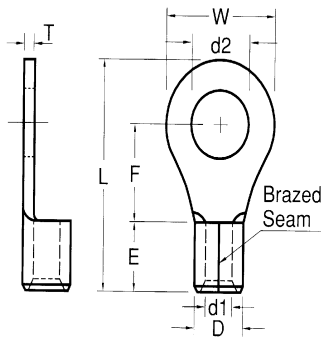
- Non-Insulated
- Manufactured from high strength copper alloy
- Electro-tin plated for corrosion resistance
- Brazed seam prevents splitting under maximum pressure
- Wire range stamped on the surface for easy interpretation

General

Insulation Type None
Material Copper
Finish Electro-tin plated
Color
Wire Range 22-16
Stud Size #6

Dimension Information

L Inches (mm) 0.567
W Inches (mm) 0.26
D Inches (mm) 0.134
d1 Inches (mm) 0.067
d2 Inches (mm) 0.146
E Inches (mm) 0.189
F Inches (mm) 0.248
T Inches (mm) 0.03



Specifications

Temperature Rating 150°C
Voltage Rating 600 V
Flammability Rating N/A
Amp Rating 16 AWG 18 Amps
 18 AWG 17 Amps
 20 AWG 12 Amps
 22 AWG 9 Amps

Packaging

Bag Qty 100
Master Bag Qty 1000

Certifications

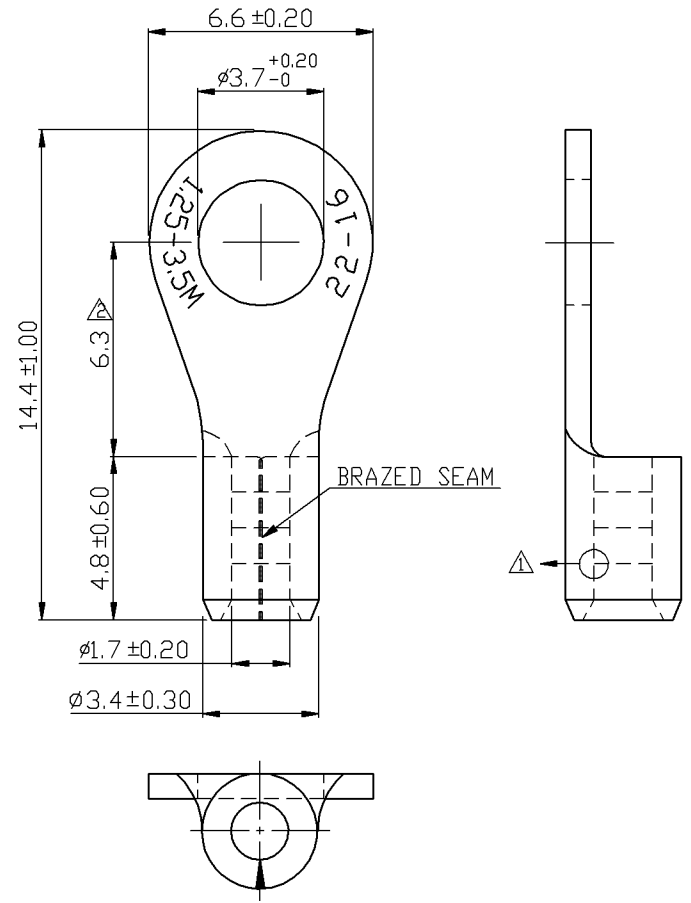
UL Yes
cUL Yes
RoHS Yes

Morris Products 53 Carey Road, Queensbury, NY 12804

www.morrisproducts.com



REV	DESCRIPTION	DATE
△	RDK-96036	2007/08/09
△	RDK-97127	2008/10/17
△	RDK-98020	2009/01/19



NOTE:

- MAXIMUM ELECTRIC CURRENT :

A.W.G.	22	20	18	16
AMP.	9	12	17	18
- WIRE RANGE : 22-16 A.W.G. (0.5-1.5mm²)
- SURFACE TREATMENT : TIN PLATED
- THICKNESS : 0.75 mm

△	Tolerance Unless Otherwise Specified	
0 >	mm ±	ANGLE
>	mm ±	0° > ° REF ±
>	mm ±	° > ° ±
>	mm ±	° > ° ±

NAME	NON-INSULATED RING TERMINALS			UNIT	mm	
PART NO.	11014	MATERIAL	COPPER	APPROVE		
NUMBER		SCALE	SHEET	PAGE	CHECKED	
DATE	2006/09/27	5/1	1-3	10F2	DRAWN	

Morris Products Inc.