



**Catalog Number** 11038  
**UPC Number** 60198611038  
**Description** Non-Insulated Ring Terminals  
 16-14 AWG



**Features**

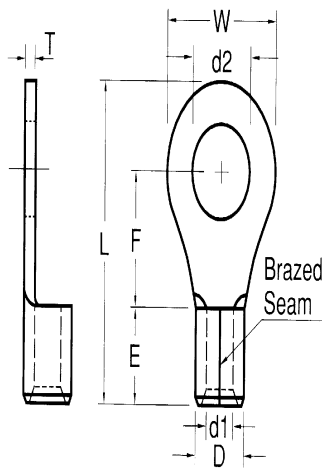
- Non-Insulated
- Manufactured from high strength copper alloy
- Electro-tin plated for corrosion resistance
- Brazed seam prevents splitting under maximum pressure
- Wire range stamped on the surface for easy interpretation

**General**

**Insulation Type** None  
**Material** Copper  
**Finish** Electro-tin plated  
**Color** N/A  
**Wire Range** 16-14  
**Stud Size** #8

**Dimension Information**

**L Inches (mm)** 0.661  
**W Inches (mm)** 0.335  
**D Inches (mm)** 0.161  
**d1 Inches (mm)** 0.091  
**d2 Inches (mm)** 0.169  
**E Inches (mm)** 0.189  
**F Inches (mm)** 0.307  
**T Inches (mm)** 0.031



**Specifications**

**Temperature Rating** 150°C  
**Voltage Rating** 600 V  
**Flammability Rating** N/A  
**Amp Rating** 16 AWG 18 Amps  
 14 AWG 30 Amps

**Packaging**

**Bag Qty** 100  
**Master Bag Qty** 1000

**Certifications**

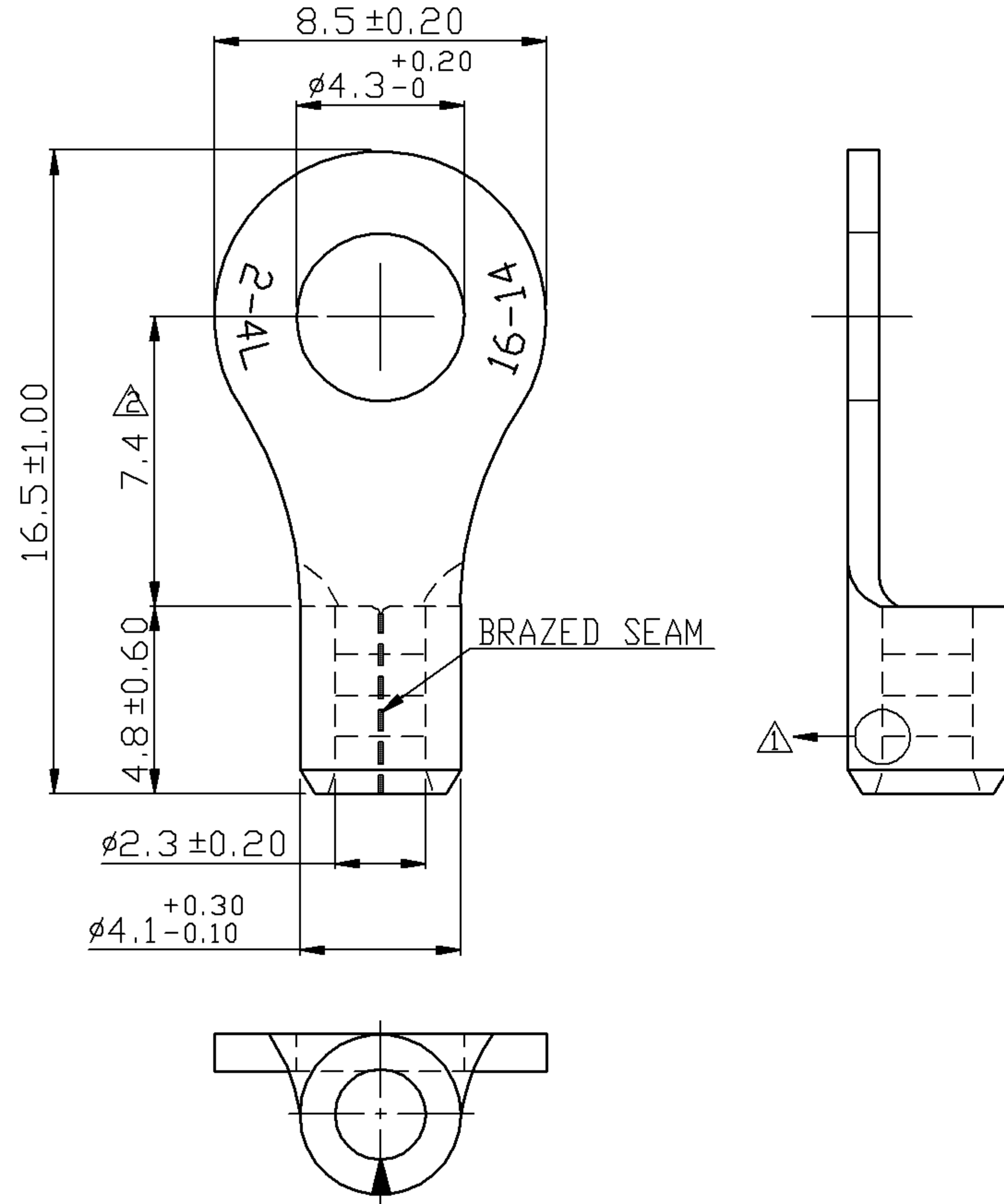
**UL** Yes  
**cUL** Yes  
**Morris Products 53 Ca RoHS** Yes

Morris Products 53 Ca RoHS

[www.morrisproducts.com](http://www.morrisproducts.com)



REV	DESCRIPTION	DATE
△	RDK-96036	2007/09/12
△	RDK-97127	2008/10/20



- NOTE :
1. MAXIMUM ELECTRIC CURRENT : 

A.W.G.	16	14	
AMP.	18	30	
  2. WIRE RANGE : 16-14 A.W.G. ( 1.5-2.5 mm<sup>2</sup> )
  3. SURFACE TREATMENT : TIN PLATED
  4. THICKNESS : 0.80 mm

Tolerance Unless Otherwise Specified	
0 > 6 mm ± 0.20	ANGLE
6 > 18 mm ± 0.30	0° > ° REF ±
18 > 30 mm ± 0.40	° > ° ±
30 > 75 mm ± 0.50	° > ° ±

NAME	NON-INSULATED RING TERMINALS				UNIT	
PART NO.	11038	MATERIAL	COPPER	APPROVE		
NUMBER		SCALE	SHEET	PAGE	CHECKED	
DATE	2006/09/26	4/1	1-2	10F2	DRAWN	

Morris Products Inc.  
 53 Carey Rd. Queensbury, NY 12804