



**Catalog Number** 11044  
**UPC Number** 60198611044  
**Description** Non-Insulated Ring Terminals  
 16-14 AWG

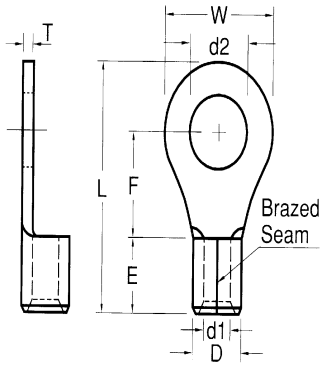


### Features

- Non-Insulated
- Manufactured from high strength copper alloy
- Electro-tin plated for corrosion resistance
- Brazed seam prevents splitting under maximum pressure
- Wire range stamped on the surface for easy interpretation

### General

**Insulation Type** None  
**Material** Copper  
**Finish** Electro-tin plated  
**Color** N/A  
**Wire Range** 16-14  
**Stud Size** 5/16



### Dimension Information

**L Inches (mm)** 0.858  
**W Inches (mm)** 0.472  
**D Inches (mm)** 0.161  
**d1 Inches (mm)** 0.091  
**d2 Inches (mm)** 0.331  
**E Inches (mm)** 0.189  
**F Inches (mm)** 0.433  
**T Inches (mm)** 0.031

### Specifications

**Temperature Rating** 150°C  
**Voltage Rating** 600 V  
**Flammability Rating** N/A  
**Amp Rating** 16 AWG 18 Amps  
 14 AWG 30 Amps

### Packaging

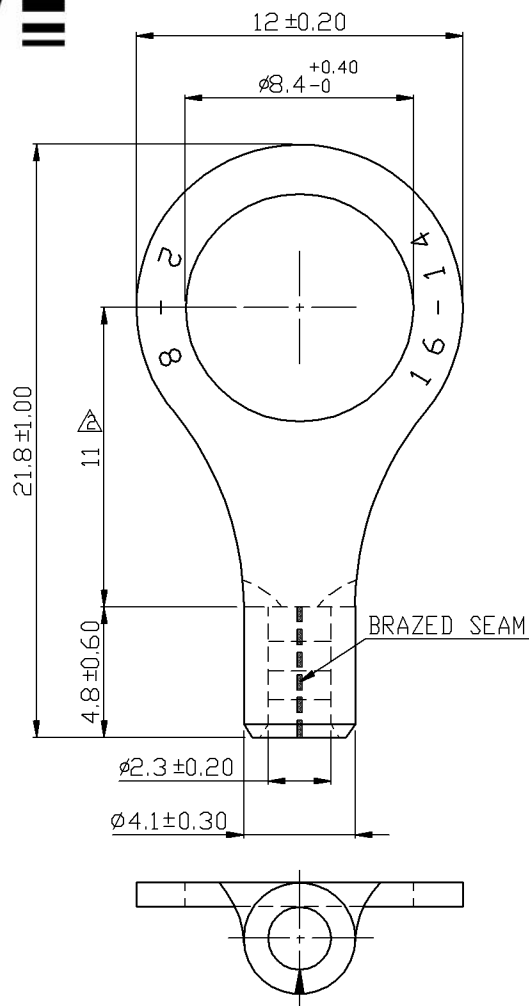
**Bag Qty** 100  
**Master Bag Qty** 1000

### Certifications

**UL** Yes  
**cUL** Yes  
**RoHS** Yes

Morris Products 53 Carey Road, Queensbury, NY 12804

[www.morrisproducts.com](http://www.morrisproducts.com)



REV	DESCRIPTION	DATE
△	RDK-96036	2007/09/12
△	RDK-97127	2008/10/20
△	RDK-98020	2009/09/30

NOTE :

- MAXIMUM ELECTRIC CURRENT : 

A.W.G.	16	14	
AMP.	18	30	
- WIRE RANGE : 16-14 A.W.G. (  $1.5-2.5 \text{ mm}^2$  )
- SURFACE TREATMENT : TIN PLATED
- THICKNESS : 0.80 mm

Tolerance Unless Otherwise Specified			
0 >	mm ±	ANGLE	
>	mm ±	0°	° REF ±
>	mm ±	°	° ±
>	mm ±	°	° ±

NAME	NON-INSULATED RING TERMINALS			UNIT	mm	
PART NO.	11044	MATERIAL	COPPER	APPROVE		
NUMBER		SCALE	SHEET	PAGE	CHECKED	
DATE	2006/09/26	4/1	1-3	10F2	DRAWN	

Morris Products Inc.