



Catalog Number 11048
UPC Number 60198611048
Description Non-Insulated Ring Terminals
 16-14 AWG



Features

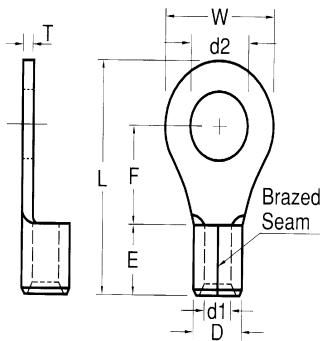
- Non-Insulated
- Manufactured from high strength copper alloy
- Electro-tin plated for corrosion resistance
- Brazed seam prevents splitting under maximum pressure
- Wire range stamped on the surface for easy interpretation

General

Insulation Type None
Material Copper
Finish Electro-tin plated
Color N/A
Wire Range 16-14
Stud Size 1/2

Dimension Information

L Inches (mm) 1.197
W Inches (mm) 0.756
D Inches (mm) 0.161
d1 Inches (mm) 0.091
d2 Inches (mm) 0.512
E Inches (mm) 0.189
F Inches (mm) 0.63
T Inches (mm) 0.031



Specifications

Temperature Rating 150°C
Voltage Rating 600 V
Flammability Rating N/A
Amp Rating 16 AWG 18 Amps
 14 AWG 30 Amps

Packaging

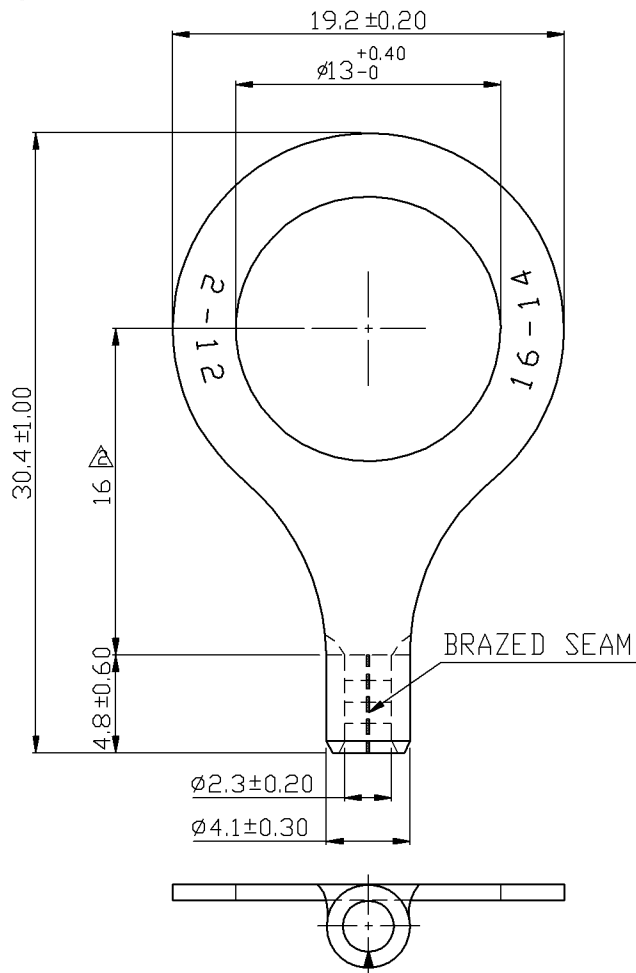
Bag Qty 100
Master Bag Qty 1000

Certifications

UL Yes
cUL Yes
RoHS Yes



REV	DESCRIPTION	DATE
△	RDK-96036	2007/09/12
△	RDK-97127	2008/10/20
△	RDK-98020	2009/09/30



NOTE :

- MAXIMUM ELECTRIC CURRENT :

A.W.G.	16	14	
AMP.	18	30	
- WIRE RANGE : 16-14 A.W.G. (1.5-2.5 mm²)
- SURFACE TREATMENT : TIN PLATED
- THICKNESS : 0.80 mm

Tolerance Unless Otherwise Specified			
0 >	mm ±	ANGLE	
>	mm ±	0°	° REF ±
>	mm ±	°	° ±
>	mm ±	°	° ±

NAME	NON-INSULATED RING TERMINALS			UNIT	mm	
PART NO.	11048	MATERIAL	COPPER	APPROVE		
NUMBER		SCALE	SHEET	PAGE	CHECKED	
DATE	2006/09/26	3/1	1-3	10F2	DRAWN	

Morris Products Inc.