



**Catalog Number** 11060  
**UPC Number** 60198611060  
**Description** Non-Insulated Ring Terminals  
 12-10 AWG



**Features**

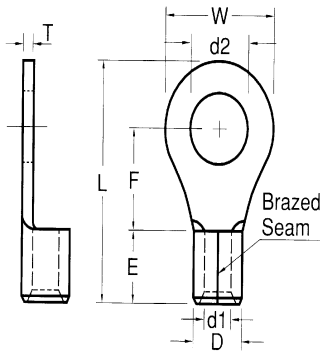
- Non-Insulated
- Manufactured from high strength copper alloy
- Electro-tin plated for corrosion resistance
- Brazed seam prevents splitting under maximum pressure
- Wire range stamped on the surface for easy interpretation

**General**

**Insulation Type** None  
**Material** Copper  
**Finish** Electro-tin plated  
**Color** N/A  
**Wire Range** 12-10  
**Stud Size** #10

**Dimension Information**

**L Inches (mm)** 0.772  
**W Inches (mm)** 0.374  
**D Inches (mm)** 0.22  
**d1 Inches (mm)** 0.134  
**d2 Inches (mm)** 0.209  
**E Inches (mm)** 0.236  
**F Inches (mm)** 0.374  
**T Inches (mm)** 0.039



**Specifications**

**Temperature Rating** 150°C  
**Voltage Rating** 600 V  
**Flammability Rating** N/A  
**Amp Rating** 12 AWG 35 Amps  
 10 AWG 50 Amps

**Packaging**

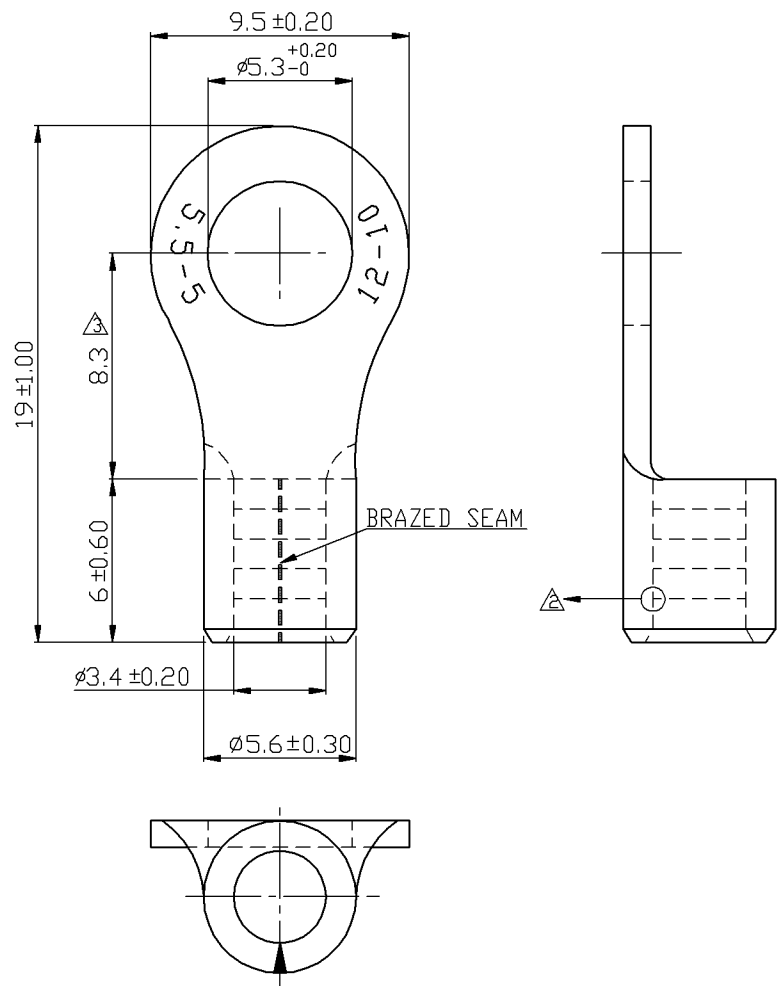
**Bag Qty** 100  
**Master Bag Qty** 1000

**Certifications**

**UL** Yes  
**cUL** Yes  
**RoHS** Yes



REV	DESCRIPTION	DATE
△ RDK-96036		2007/06/25
△ RDK-97127		2008/10/15
△ RDK-98020		2009/09/22



- NOTE :
- MAXIMUM ELECTRIC CURRENT : 

A.W.G.	12	10	
AMP.	35	50	
  - WIRE RANGE : 12-10 A.W.G. ( 4 - 6 mm<sup>2</sup> )
  - SURFACE TREATMENT : TIN PLATED
  - THICKNESS : 1.00 mm

Tolerance Unless Otherwise Specified	
0 >	mm ± ANGLE
>	mm ± 0° ° REF ±
>	mm ± ° ° ±
>	mm ± ° ° ±

NAME	NON-INSULATED RING TERMINALS			UNIT	mm	
PART NO.	11060	MATERIAL	COPPER	APPROVE		
NUMBER		SCALE	SHEET	PAGE	CHECKED	
DATE	2006/09/25	4/1	1-4	10F2	DRAWN	

Morris Products Inc.