



Catalog Number 11074
UPC Number 60198611074
Description Non-Insulated Ring Terminals
 12-10 AWG



Features

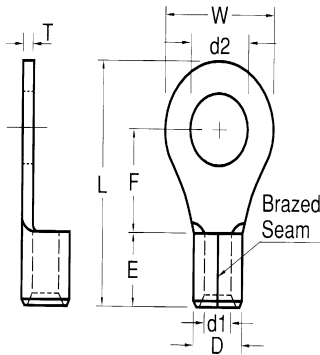
- Non-Insulated
- Manufactured from high strength copper alloy
- Electro-tin plated for corrosion resistance
- Brazed seam prevents splitting under maximum pressure
- Wire range stamped on the surface for easy interpretation

General

Insulation Type None
Material Copper
Finish Electro-tin plated
Color N/A
Wire Range 12-10
Stud Size 3/4

Dimension Information

L Inches (mm) 1.858
W Inches (mm) 1.26
D Inches (mm) 0.22
d1 Inches (mm) 0.134
d2 Inches (mm) 0.827
E Inches (mm) 0.236
F Inches (mm) 0.992
T Inches (mm) 0.039



Specifications

Temperature Rating 150°C
Voltage Rating 600 V
Flammability Rating N/A
Amp Rating 12 AWG 35 Amps
 10 AWG 50 Amps

Packaging

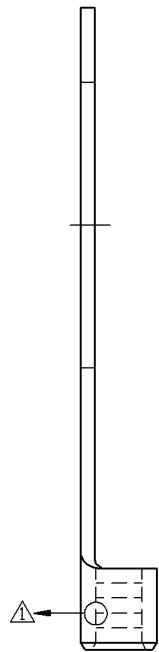
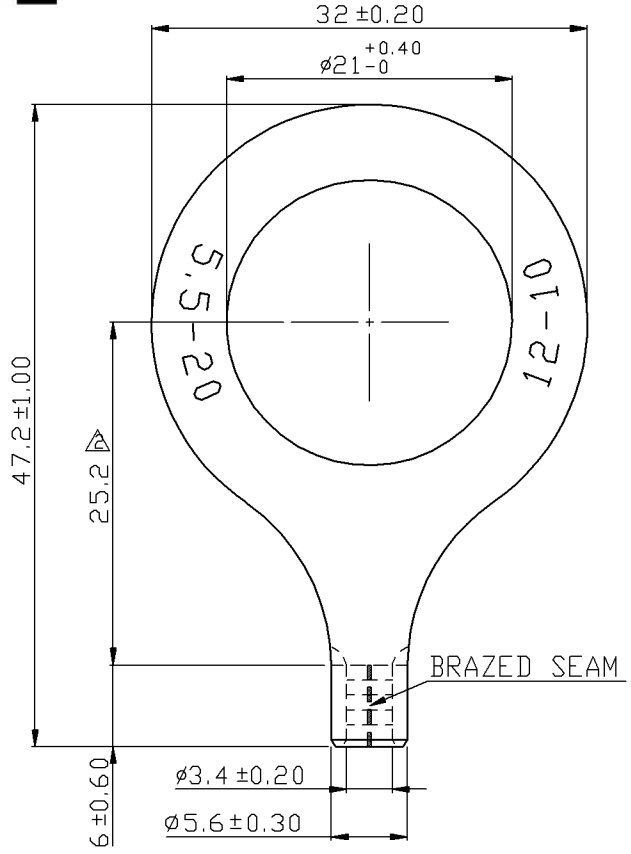
Bag Qty 100
Master Bag Qty 1000

Certifications

UL Yes
cUL Yes
RoHS Yes



REV	DESCRIPTION	DATE
△ RDK-96036		2007/10/18
△ RDK-97127		2008/10/15
△ RDK-98020		2009/09/22



- NOTE :
- MAXIMUM ELECTRIC CURRENT :

A.W.G.	12	10	
AMP.	35	50	
 - WIRE RANGE : 12-10 A.W.G. (4 - 6 mm²)
 - SURFACE TREATMENT : TIN PLATED
 - THICKNESS : 1.00 mm

Tolerance Unless Otherwise Specified	
0 >	mm ± ANGLE
>	mm ± 0° ° REF ±
>	mm ± ° ° ±
>	mm ± ° ° ±

NAME	NON-INSULATED PRINTING TERMINALS			UNIT	mm	
PART NO.	11074	MATERIAL	COPPER	APPROVE		
NUMBER		SCALE	SHEET	PAGE	CHECKED	
DATE	2006/09/26	2/1	1-3	10F2	DRAWN	

Morris Products Inc.