



Catalog Number 11118
UPC Number 60198611118
Description Non-Insulated Ring Terminals
 2 AWG

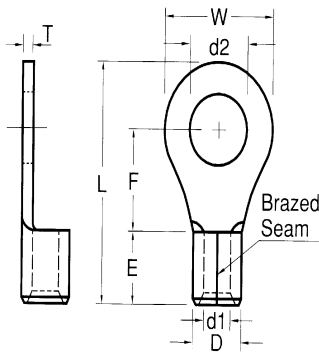


Features

- Non-Insulated
- Manufactured from high strength copper alloy
- Electro-tin plated for corrosion resistance
- Brazed seam prevents splitting under maximum pressure
- Wire range stamped on the surface for easy interpretation

General

Insulation Type None
Material Copper
Finish Electro-tin plated
Color N/A
Wire Range 2 AWG
Stud Size #10



Dimension Information

L Inches (mm) 1.535
W Inches (mm) 0.602
D Inches (mm) 0.524
d1 Inches (mm) 0.37
d2 Inches (mm) 0.209
E Inches (mm) 0.551
F Inches (mm) 0.685
T Inches (mm) 0.071

Specifications

Temperature Rating 150°C
Voltage Rating 600 V
Flammability Rating N/A
Amp Rating 2 AWG 170 Amps

Packaging

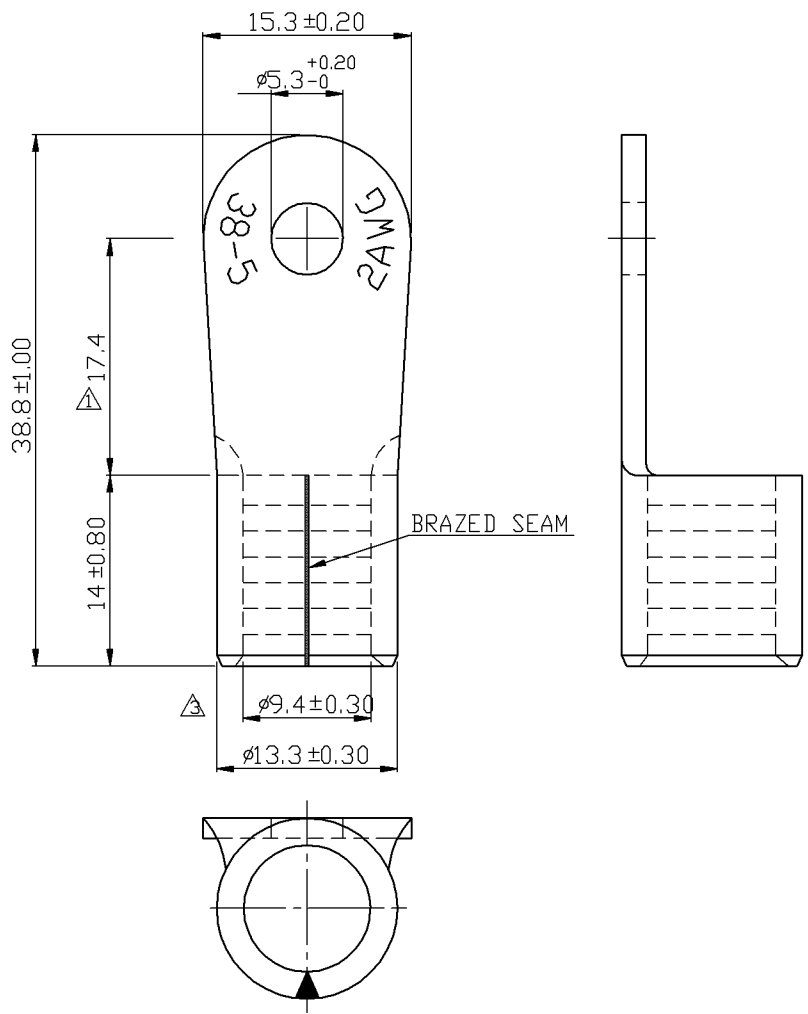
Bag Qty 100
Master Bag Qty 1000

Certifications

UL Yes
cUL Yes
RoHS Yes



REV	DESCRIPTION	DATE
△	RDK-97132	2008/07/09
△	RDK-98020	2009/09/18
△	RDC-99169	2010/04/29



- NOTE :
- MAXIMUM ELECTRIC CURRENT :

A.W.G.	2		
AMP.	170		
 - WIRE RANGE : 2 A.W.G. (38 mm^2)
 - SURFACE TREATMENT : TIN PLATED
 - THICKNESS : 1.80 mm

△ Tolerance Unless Otherwise Specified	
0 >	mm ± ANGLE
>	mm ± 0° ° REF ±
>	mm ± ° ° ±
>	mm ± ° ° ±

NAME	NON-INSULATED RING TERMINALS			UNIT	mm	
PART NO.	11118	MATERIAL	COPPER	APPROVE		
NUMBER		SCALE	SHEET	PAGE	CHECKED	
DATE	2006/04/20	2/1	1-3	10F2	DRAWN	

Morris Products Inc.