



Catalog Number 11120
UPC Number 60198611120
Description Non-Insulated Ring Terminals
2 AWG



Features

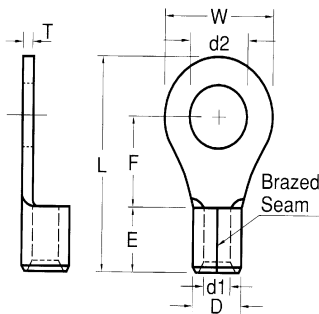
- Non-Insulated
- Manufactured from high strength copper alloy
- Electro-tin plated for corrosion resistance
- Brazed seam prevents splitting under maximum pressure
- Wire range stamped on the surface for easy interpretation

General

Insulation Type None
Material Copper
Finish Electro-tin plated
Color N/A
Wire Range 2 AWG
Stud Size 1/4

Dimension Information

L Inches (mm) 1.535
W Inches (mm) 0.602
D Inches (mm) 0.524
d1 Inches (mm) 0.37
d2 Inches (mm) 0.252
E Inches (mm) 0.551
F Inches (mm) 0.685
T Inches (mm) 0.071



Specifications

Temperature Rating 150°C
Voltage Rating 600 V
Flammability Rating N/A
Amp Rating 2 AWG 170 Amps

Packaging

Bag Qty 100
Master Bag Qty 1000

Certifications

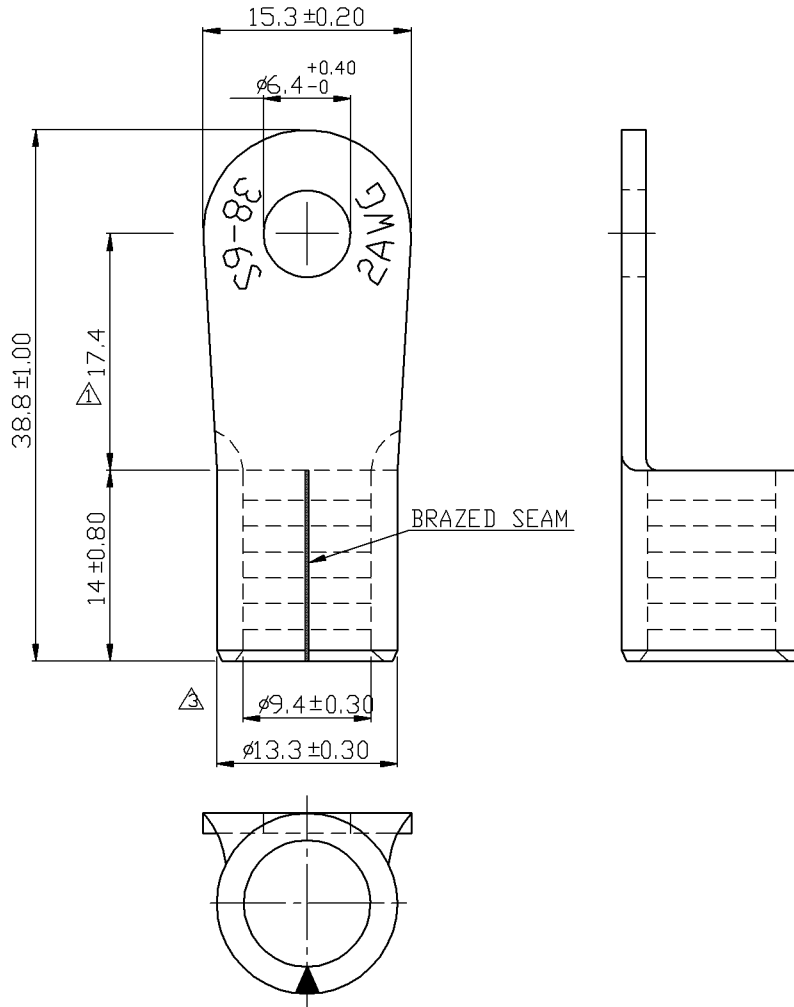
UL Yes
cUL Yes
RoHS Yes

Morris Products 53 Carey Road, Queensbury, NY 12804

www.morrisproducts.com



REV	DESCRIPTION	DATE
△	RDK-97132	2008/07/09
△	RDK-98020	2009/09/18
△	RDC-99169	2010/04/29



NOTE :

- MAXIMUM ELECTRIC CURRENT :

A.W.G.	2		
AMP.	170		
- WIRE RANGE : 2 A.W.G. (38 mm^2)
- SURFACE TREATMENT : TIN PLATED
- THICKNESS : 1.80 mm

Tolerance Unless Otherwise Specified	
0 >	mm ± ANGLE
>	mm ± 0° ° REF ±
>	mm ± ° ° ±
>	mm ± ° ° ±

NAME	NON-INSULATED RING TERMINALS			UNIT	mm	
PART NO.	11120	MATERIAL	COPPER	APPROVE		
NUMBER		SCALE	SHEET	PAGE	CHECKED	
DATE	2006/04/20	2/1	1-3	10F2	DRAWN	

Morris Products Inc.