



**Catalog Number** 11126  
**UPC Number** 60198611126  
**Description** Non-Insulated Ring Terminals  
 2 AWG



#### Features

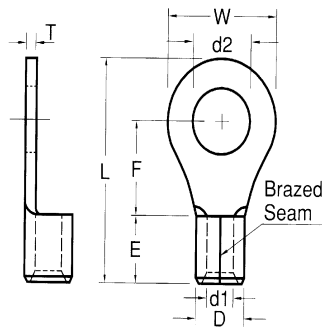
- Non-Insulated
- Manufactured from high strength copper alloy
- Electro-tin plated for corrosion resistance
- Brazed seam prevents splitting under maximum pressure
- Wire range stamped on the surface for easy interpretation

#### General

**Insulation Type** None  
**Material** Copper  
**Finish** Electro-tin plated  
**Color** N/A  
**Wire Range** 2 AWG  
**Stud Size** 7/16

#### Dimension Information

**L Inches (mm)** 1.681  
**W Inches (mm)** 0.866  
**D Inches (mm)** 0.524  
**d1 Inches (mm)** 0.37  
**d2 Inches (mm)** 0.453  
**E Inches (mm)** 0.551  
**F Inches (mm)** 0.697  
**T Inches (mm)** 0.071



#### Specifications

**Temperature Rating** 150°C  
**Voltage Rating** 600 V  
**Flammability Rating** N/A  
**Amp Rating** 2 AWG 170 Amps

#### Packaging

**Bag Qty** 100  
**Master Bag Qty** 1000

#### Certifications

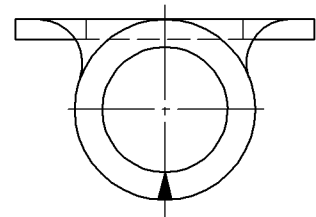
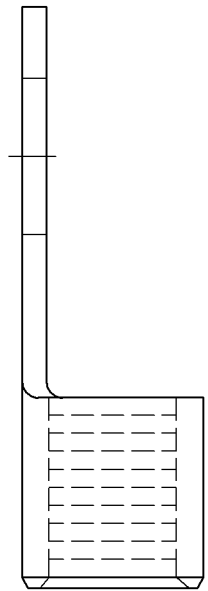
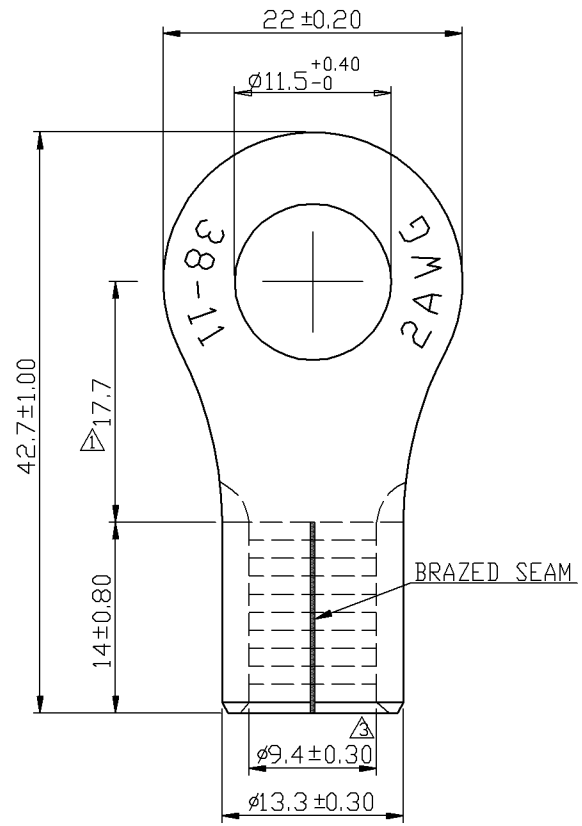
**UL** Yes  
**cUL** Yes  
**RoHS** Yes

Morris Products 53 Carey Road, Queensbury, NY 12804

[www.morrisproducts.com](http://www.morrisproducts.com)



REV	DESCRIPTION	DATE
△	RDK-97132	2008/07/09
△	RDK-98020	2009/09/18
△	RDC-99169	2010/05/04



- NOTE :
1. MAXIMUM ELECTRIC CURRENT : 

A.W.G.	2		
AMP.	170		
  2. WIRE RANGE : 2 A.W.G. (  $38 \text{ mm}^2$  )
  3. SURFACE TREATMENT : TIN PLATED
  4. THICKNESS : 1.80 mm

Tolerance Unless Otherwise Specified			
0 >	mm ±		ANGLE
>	mm ±	0°	REF ±
>	mm ±	°	±
>	mm ±	°	±

NAME	NON-INSULATED RING TERMINALS				UNIT	mm	mm
PART NO.	11126	MATERIAL	COPPER	APPROVE			
NUMBER		SCALE	SHEET	PAGE	CHECKED		
DATE	2006/04/20	2/1	1-3	10F2	DRAWN		

Morris Products Inc.