

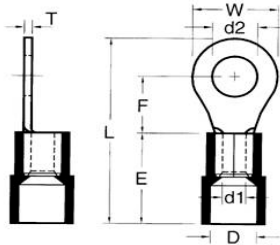


Catalog Number 11334
UPC Number 60198611334
Description Nylon Insulated Ring Terminals
 16-14 AWG



Features

- Color Coded insulation for easy identification
- Manufactured from high strength copper alloy
- Electro-tin plated for corrosion resistance
- Expanded Insulation funnel entry eliminates strand “Hang Up”, increases the crimping rates and the reliability of the termination
- Wire range stamped on the surface for easy interpretation
- Brazed seam prevent splitting under maximum pressure
- Serrated barrel & flared position of sleeve provides excellent contact & mechanical stress relief at insulation & barrel junction



General

Insulation Type Nylon
Material Copper
Finish Electro-tin plated
Color Blue
Wire Range 16-14 AWG
Stud Size #4

Dimension Information

L Inches (mm) 0.74
W Inches (mm) 0.26
D Inches (mm) 0.177
d1 Inches (mm) 0.091
d2 Inches (mm) 0.126
E Inches (mm) 0.433
F Inches (mm) 0.189
T Inches (mm) 0.031

Specifications

Temperature Rating 105°C
Voltage Rating 600 V
Flammability Rating UL94V-O
Amp Rating 16 AWG 18 Amps
 14 AWG 30 Amps

Packaging

Bag Qty 100
Master Bag Qty 1000

Certifications

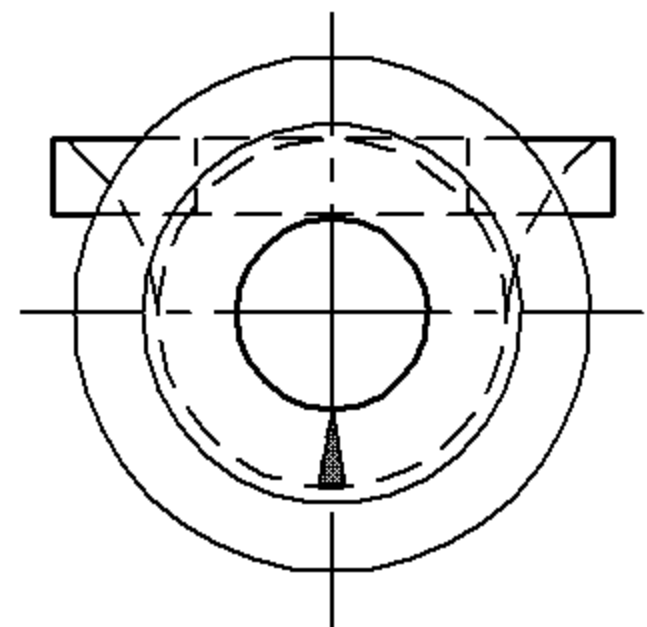
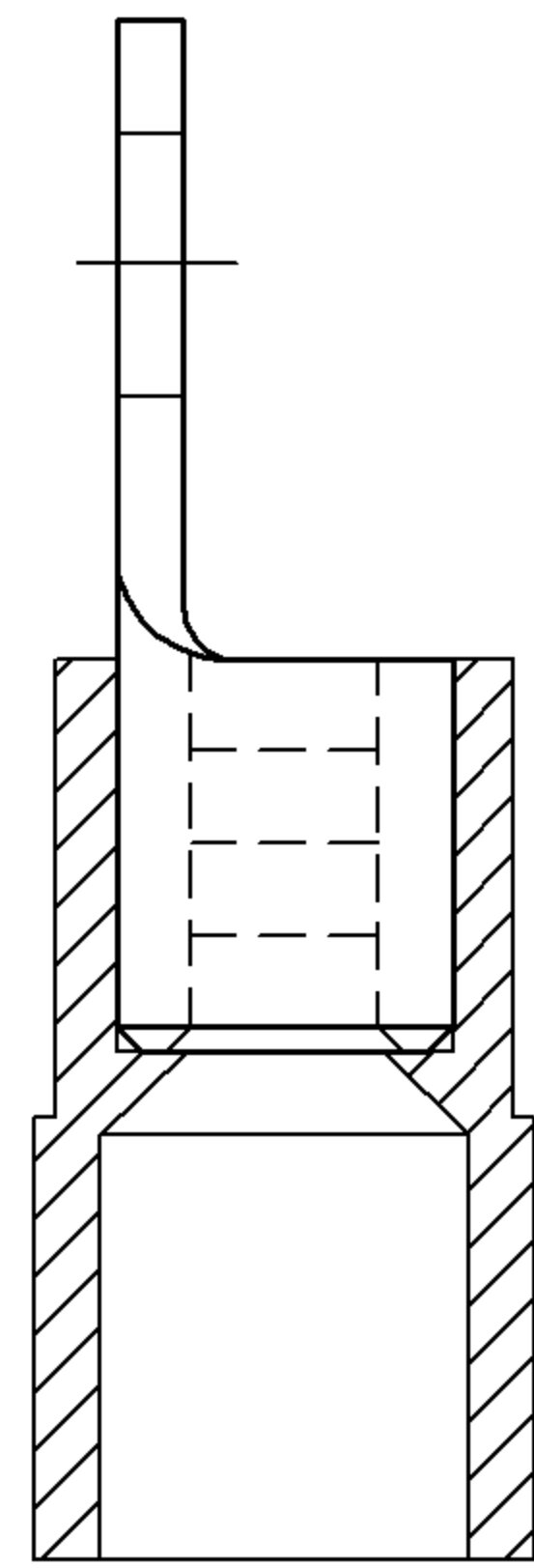
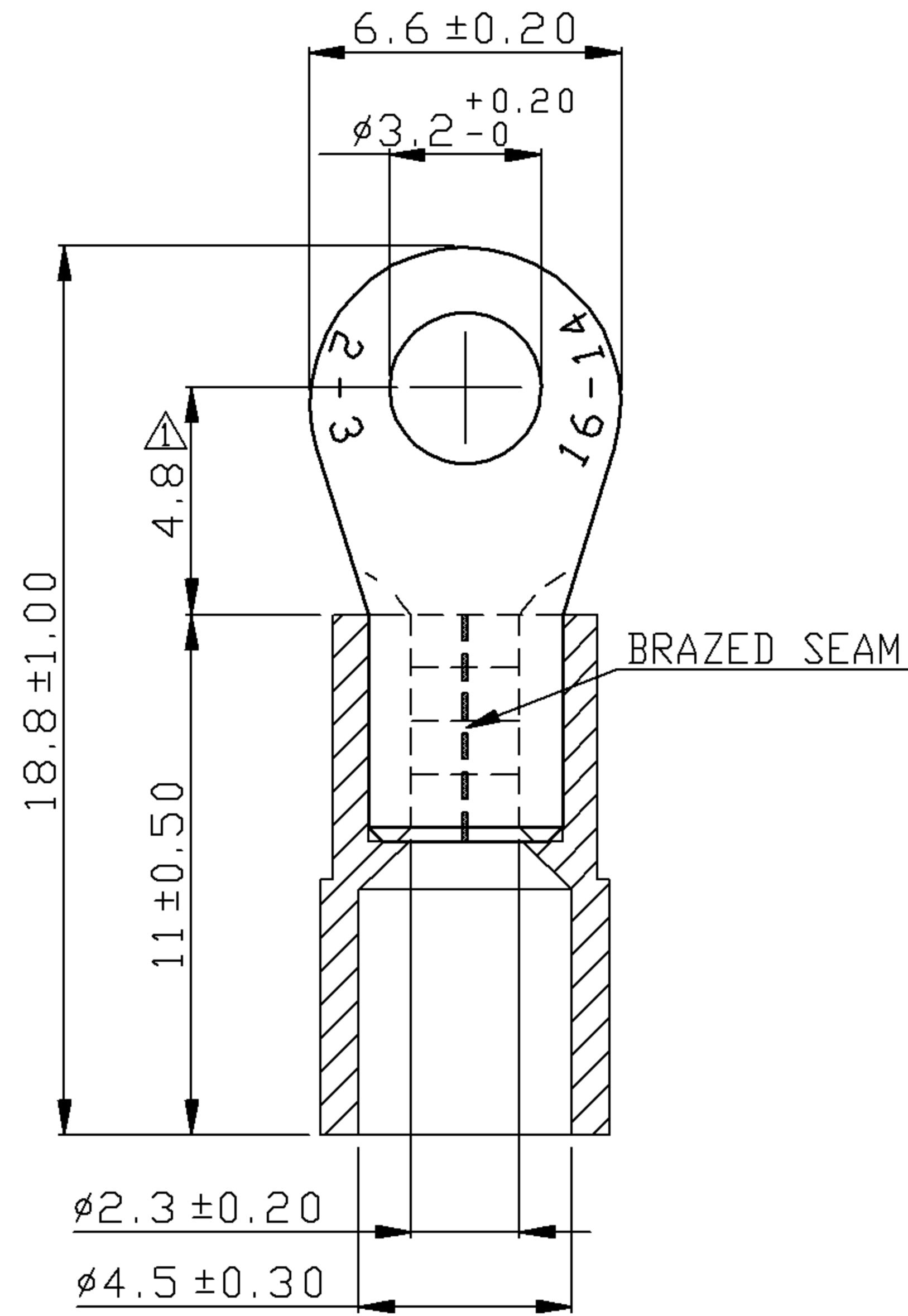
UL Yes
cUL Yes
RoHS Yes

Morris Products 53 Carey Road, Queensbury, NY 12804

www.morrisproducts.com



REV	DESCRIPTION	DATE
△	RDK-97127	2009/09/15
△	RDK-98020	2009/09/15



NOTE:

- MAXIMUM ELECTRIC CURRENT :

A.W.G.	16	14	
AMP.	18	30	
- MAXIMUM ELECTRICAL RATING : 105°C 600 VOLTS MAX.
- INSULATION MATERIAL : NYLON
- INSULATION COLOR : BLUE
- TERMINAL MATERIAL : COPPER
- WIRE RANGE : 16-14 A.W.G.(1.5-2.5mm²)
- TERMINAL SURFACE TREATMENT : TIN PLATED
- TERMINAL THICKNESS : 0.8 mm

△	Tolerance Unless Otherwise Specified		
0 >	mm ±	ANGLE	
>	mm ±	0° >	° REF ±
>	mm ±	° >	° ±
>	mm ±	° >	° ±

NAME	NYLON-INSULATED RING TERMINALS				UNIT	mm	
PART NO.	11334	MATERIAL	-----	APPROVE			
NUMBER		SCALE	SHEET	PAGE	CHECKED		
DATE	2006/08/21	4/1	1-2	10F2	DRAWN		

Morris Products Inc.
53 Carey Rd. Queensbury, NY 12804