



**Catalog Number** 11404  
**UPC Number** 60198611404  
**Description** Nylon Insulated Ring Terminals  
4 AWG

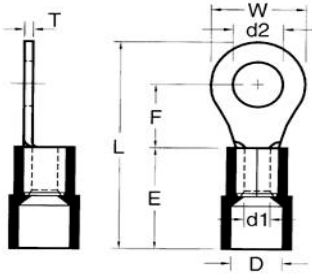


#### Features

Color Coded insulation for easy identification  
Manufactured from high strength copper alloy  
Electro-tin plated for corrosion resistance  
Expanded Insulation funnel entry eliminates strand “Hang Up”, increases the crimping rates and the reliability of the termination  
Wire range stamped on the surface for easy interpretation  
Brazed seam prevent splitting under maximum pressure  
Serrated barrel & flared position of sleeve provides excellent contact & mechanical stress relief at insulation & barrel junction

#### General

**Insulation Type** Nylon  
**Material** Copper  
**Finish** Electro-tin plated  
**Color** Yellow  
**Wire Range** 4 AWG  
**Stud Size** #8



#### Dimension Information

L Inches (mm) 1.78  
W Inches (mm) 0.48  
D Inches (mm) 0.512  
d1 Inches (mm) 0.303  
d2 Inches (mm) 0.169  
E Inches (mm) 0.945  
F Inches (mm) 0.614  
T Inches (mm) 0.067

#### Specifications

**Temperature Rating** 105°C  
**Voltage Rating** 600 V  
**Flammability Rating** UL94V-O  
**Amp Rating** 4 AWG 125 Amps

#### Packaging

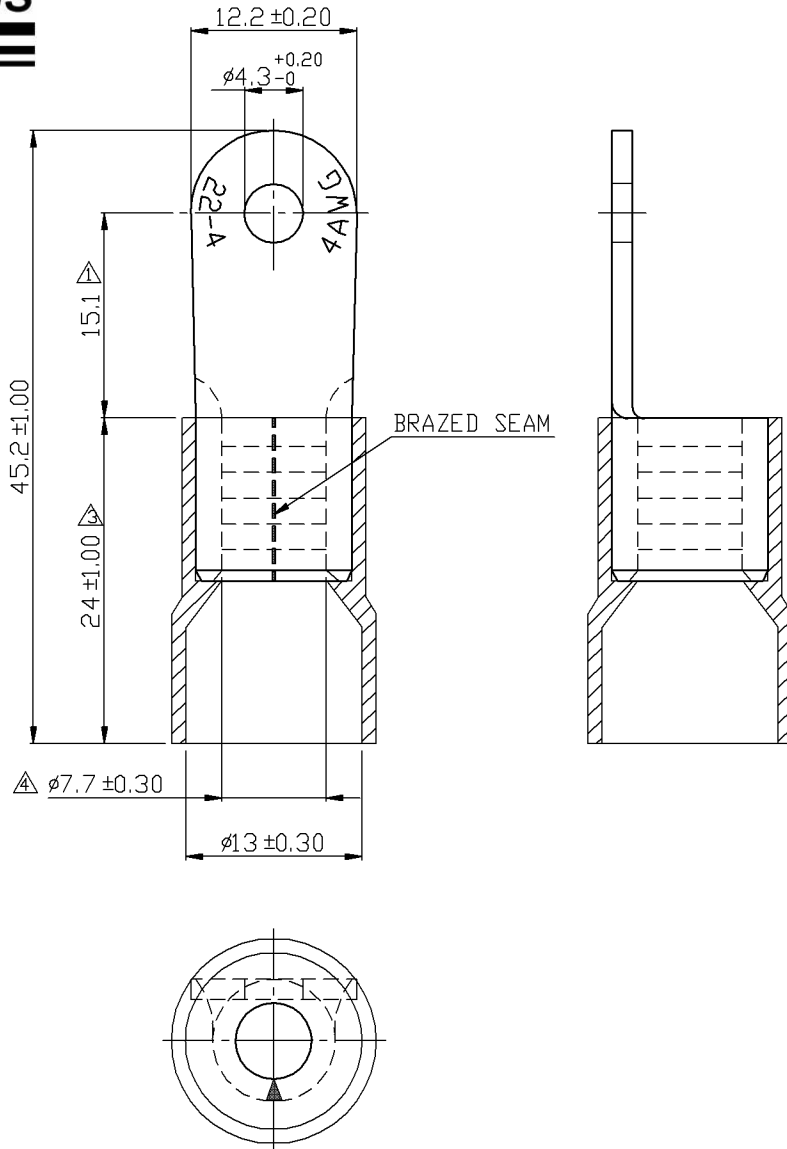
**Bag Qty** 100  
**Master Bag Qty** 1000

#### Certifications

**UL** Yes  
**cUL** Yes  
**RoHS** Yes

Morris Products 53 Carey Road, Queensbury, NY 12804

[www.morrisproducts.com](http://www.morrisproducts.com)



REV	DESCRIPTION	DATE
△	RDK-98020	2009/08/31
△	B210- -91018	2009/09/02
△	RDC-99171	2010/06/15

- NOTE:
1. MAXIMUM ELECTRIC CURRENT : 

A.W.G.	4		
AMP.	125		
  2. MAXIMUM ELECTRICAL RATING : 105°C 600 VOLTS MAX.
  3. INSULATION MATERIAL : NYLON
  4. INSULATION COLOR : YELLOW
  5. TERMINAL MATERIAL : COPPER
  6. WIRE RANGE : 4 A.W.G.( 22 mm<sup>2</sup>)
  7. TERMINAL SURFACE TREATMENT : TIN PLATED
  8. TERMINAL THICKNESS : 1.7 mm

△ Tolerance Unless Otherwise Specified	
0 >	mm ±
>	mm ±
>	mm ±
>	mm ±
ANGLE	
0°	° REF ±
°	° ±
°	° ±

NAME	NYLON-INSULATED RING TERMINALS			UNIT	mm	
PART NO.	11404	MATERIAL	----	APPROVE		
NUMBER		SCALE	SHEET	PAGE	CHECKED	
DATE	2006/05/29	2/1	1-4	10F2	DRAWN	

Morris Products Inc.