



Catalog Number 11456
UPC Number 60198611456
Description Vinyl Insulated Multi-Stud Ring Terminals
 12-10 AWG

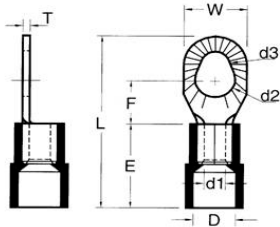


Features

Color Coded insulation for easy identification
 Manufactured from high strength copper alloy
 Electro-tin plated for corrosion resistance
 Expanded Insulation funnel entry eliminates strand “Hang Up”, increases the crimping rates and the reliability of the termination
 Wire range stamped on the surface for easy interpretation
 Butted seam prevent splitting under maximum pressure
 Serrated barrel & flared position of sleeve provides excellent contact & mechanical stress relief at insulation & barrel junction

General

Insulation Type Vinyl
Material Copper
Finish Electro-tin plated
Color Yellow
Wire Range 12-10 AWG
Stud Size #6 #8 #10



Dimension Information

L Inches (mm) 1.205
W Inches (mm) 0.39
D Inches (mm) 0.248
d1 Inches (mm) 0.134
d2 Inches (mm) 0.209
E Inches (mm) 0.555
F Inches (mm) 0.35
T Inches (mm) 0.039

Specifications

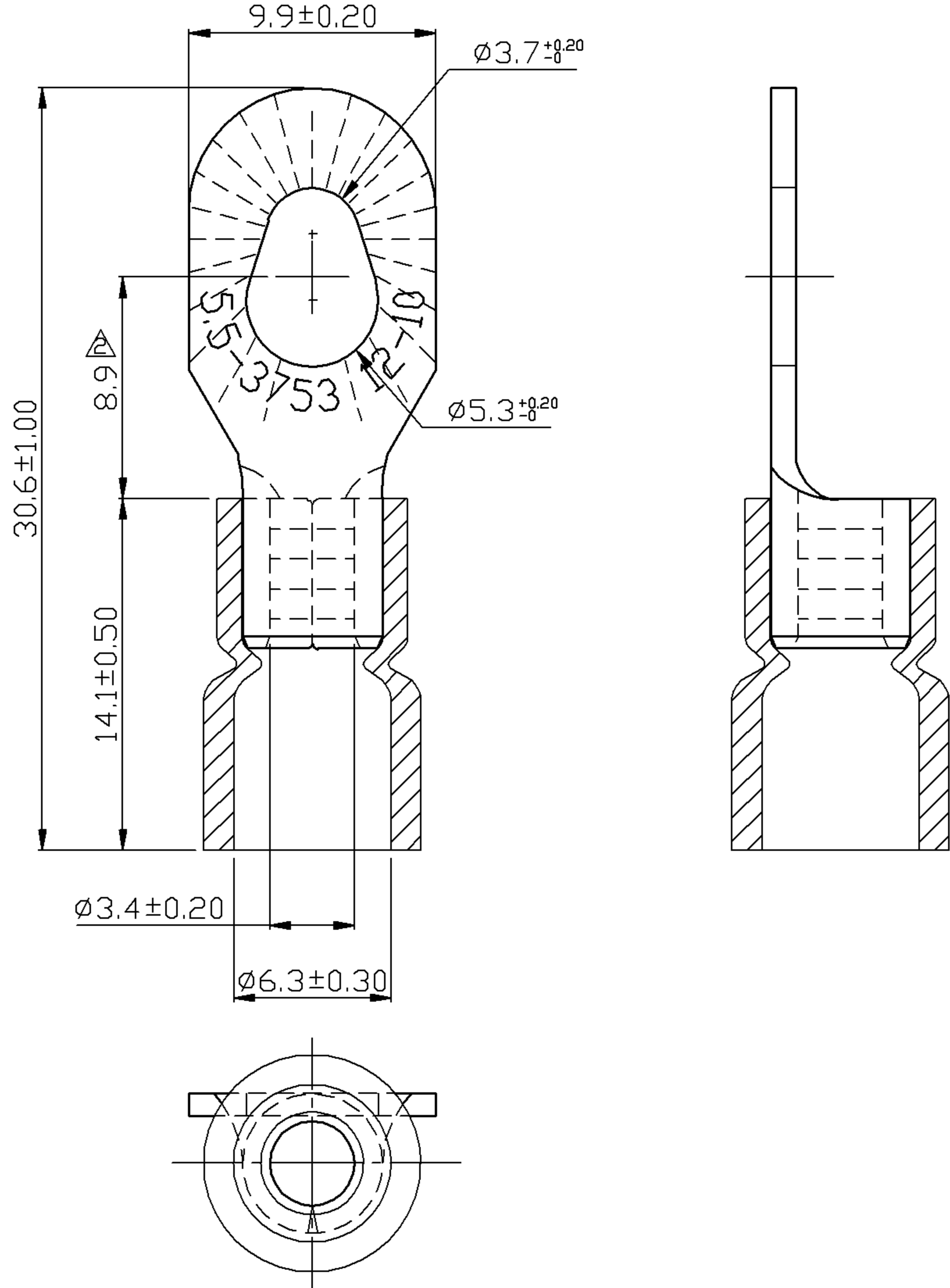
Temperature Rating 105°C
Voltage Rating 600 V
Flammability Rating UL94V-O
Amp Rating 12 AWG 35 Amps
 10 AWG 50 Amps

Packaging

Bag Qty 100
Master Bag Qty 1000

Certifications

UL Yes
cUL Yes
RoHS Yes



REV	DESCRIPTION	DATE
△	RDK-97048	2009/02/25
△	RDK-97127	2009/02/25
△	RDK-98202	2009/02/25

- NOTE:
1. MAXIMUM ELECTRIC CURRENT :

A.W.G.	12	10
AMP.	35	50
 2. MAXIMUM ELECTRICAL RATING : 105°C 600 VOLTS MAX.
 3. INSULATION MATERIAL : VINYL
 4. INSULATION COLOR : YELLOW
 5. TERMINAL MATERIAL : COPPER
 6. WIRE RANGE : 12-10 A.W.G.(4-6mm²)
 7. TERMINAL SURFACE TREATMENT : TIN PLATED
 8. TERMINAL THICKNESS : 1.0 mm

Tolerance Unless	
△	Otherwise Specified
0 >	mm ±
>	mm ±
>	mm ±
>	mm ±
	ANGLE
	0° >
	° REF ±
	° ±
	° ±

NAME	VINYL-INSULATED (EASY ENTRY) MULTIPLE-STUD RING TERMINALS			UNIT	
PART NO.	11456	MATERIAL	-----	APPROVE	
NUMBER		SCALE	SHEET	PAGE	CHECKED
DATE	2007/05/29	3/1	1-3	10F2	DRAWN

Morris Products Inc.
53 Carey Rd. Queensbury, NY 12804