



**Catalog Number** 11466  
**UPC Number** 60198611466  
**Description** Nylon Insulated Multi-Stud Ring Terminals  
 12-10 AWG

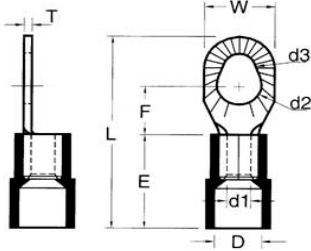


**Features**

Color Coded insulation for easy identification  
 Manufactured from high strength copper alloy  
 Electro-tin plated for corrosion resistance  
 Expanded Insulation funnel entry eliminates strand “Hang Up”, increases the crimping rates and the reliability of the termination  
 Wire range stamped on the surface for easy interpretation  
 Brazed seam prevent splitting under maximum pressure  
 Serrated barrel & flared position of sleeve provides excellent contact & mechanical stress relief at insulation & barrel junction

**General**

**Insulation Type** Nylon  
**Material** Copper  
**Finish** Electro-tin plated  
**Color** Yellow  
**Wire Range** 12-10 AWG  
**Stud Size** #6 #8 #10



**Dimension Information**

**L Inches (mm)** 1.154  
**W Inches (mm)** 0.39  
**D Inches (mm)** 0.252  
**d1 Inches (mm)** 0.134  
**d2 Inches (mm)** 0.209  
**E Inches (mm)** 0.512  
**F Inches (mm)** 0.35  
**T Inches (mm)** 0.039

**Specifications**

**Temperature Rating** 105°C  
**Voltage Rating** 600 V  
**Flammability Rating** UL94V-O  
**Amp Rating** 12 AWG 35 Amps  
 10 AWG 50 Amps

**Packaging**

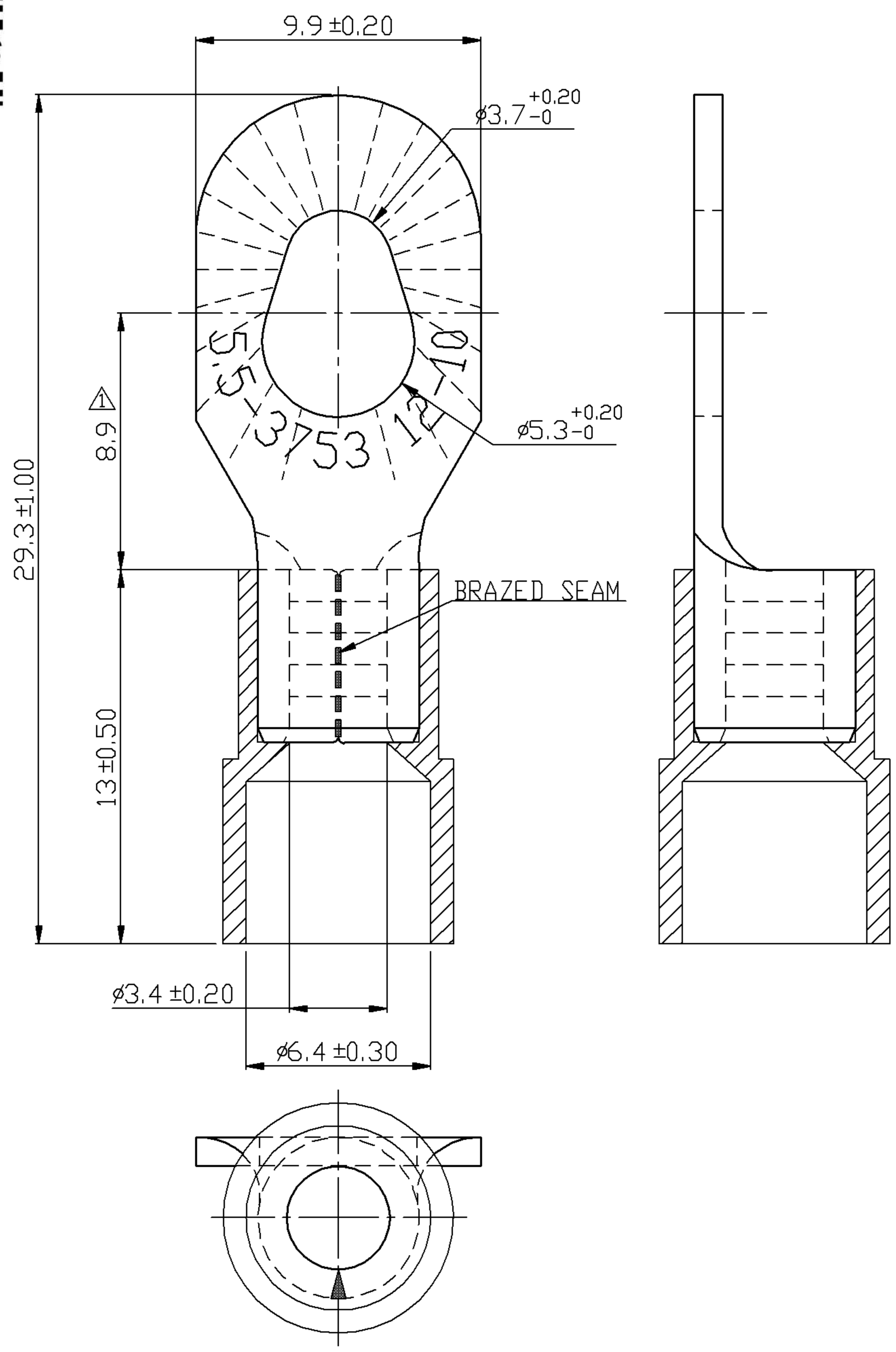
**Bag Qty** 100  
**Master Bag Qty** 1000

**Certifications**

**UL** Yes  
**cUL** Yes  
**RoHS** Yes



REV	DESCRIPTION	DATE
△	RDK-97127	2009/08/31
△	RDK-98020	2009/08/31



- NOTE :
1. MAXIMUM ELECTRIC CURRENT : 

A.W.G.	12	10	
AMP.	35	50	
  2. MAXIMUM ELECTRICAL RATING : 105°C 600 VOLTS MAX.
  3. INSULATION MATERIAL : NYLON
  4. INSULATION COLOR : YELLOW
  5. TERMINAL MATERIAL : COPPER
  6. WIRE RANGE : 12-10 A.W.G. ( 4 - 6 mm<sup>2</sup> )
  7. TERMINAL SURFACE TREATMENT : TIN PLATED
  8. TERMINAL THICKNESS : 1.00 mm

△ Tolerance Unless	
□ Otherwise Specified	
0 >	mm ± ANGLE
>	mm ± 0° ° REF ±
>	mm ± ° ° ±
>	mm ± ° ° ±

NAME	NYLON-INSULATED MULTIPLE-STUD RING TERMINALS			UNIT	mm	
PART NO.	11466	MATERIAL	-----	APPROVE		
NUMBER		SCALE	SHEET	PAGE	CHECKED	
DATE	2006/05/29	4/1	1-2	10F2	DRAWN	

Morris Products Inc.  
 53 Carey Rd. Queensbury, NY 12804