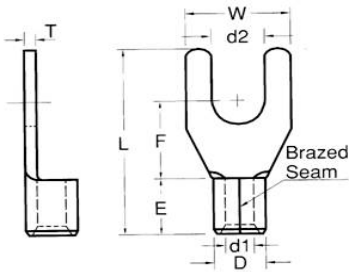




Catalog Number 11512
UPC Number 60198611512
Description Non-Insulated Fork Spade Terminals
 22-16 AWG



Features

Manufactured from high strength copper alloy
 Electro-tin plated for corrosion resistance
 Wire range stamped on the surface for easy interpretation
 Brazed seam prevents splitting under maximum pressure
 Serrated barrel provides excellent electrical contact and pull-out resistance characteristics at barrel

General

Insulation Type N/A
Material Copper
Finish Electro-tin plated
Color N/A
Wire Range 22-16 AWG
Stud Size #4

Dimension Information

L Inches (mm) 0.63
W Inches (mm) 0.323
D Inches (mm) 0.134
d1 Inches (mm) 0.067
d2 Inches (mm) 0.126
E Inches (mm) 0.189
F Inches (mm) 0.256
T Inches (mm) 0.03

Specifications

Temperature Rating 150°C
Voltage Rating 600 V
Flammability Rating N/A
Amp Rating

22 AWG	9 Amps
20 AWG	12 Amps
18 AWG	17 Amps
16 AWG	18 Amps

Packaging

Bag Qty 100
Master Bag Qty 1000

Certifications

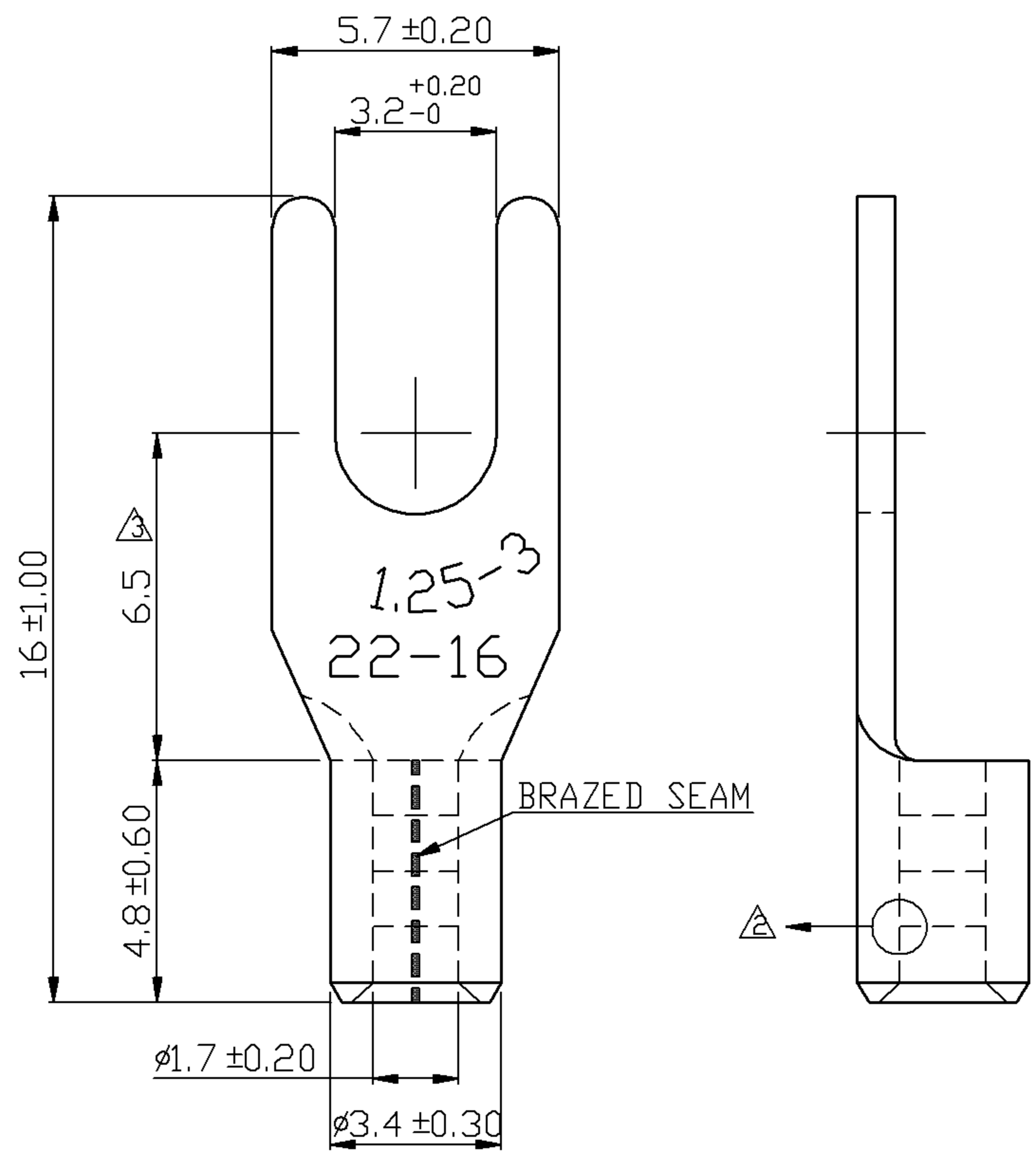
UL Yes
cUL Yes
RoHS Yes

Morris Products 53 Carey Road, Queensbury, NY 12804

www.morrisproducts.com



REV	DESCRIPTION	DATE
△	RDK-96036	2007/08/15
△	RDK-97127	2008/09/16
△	RDK-98020	2009/09/02



- NOTE :
- MAXIMUM ELECTRIC CURRENT :

A.W.G.	22	20	18	16
AMP.	9	12	17	18
 - WIRE RANGE : 22-16 A.W.G. (0.5-1.5 mm²)
 - SURFACE TREATMENT : TIN PLATED
 - THICKNESS : 0.75 mm

△ Tolerance Unless	
□ Otherwise Specified	
0 >	mm ±
>	mm ±
>	mm ±
>	mm ±
	ANGLE
	0° > ° REF ±
	° > ° ±
	° > ° ±

NAME	NON-INSULATED SPADE TERMINALS				UNIT	mm	
PART NO.	11512	MATERIAL	COPPER	APPROVE			
NUMBER		SCALE	SHEET	PAGE	CHECKED		
DATE	2007/08/16	5/1	1-4	10F2	DRAWN		

Morris Products Inc.
53 Carey Rd. Queensbury, NY 12804