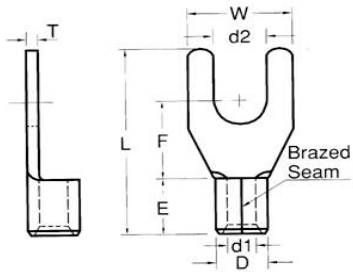




**Catalog Number** 11522  
**UPC Number** 60198611522  
**Description** Non-Insulated Fork Spade Terminals  
 16-14 AWG



**Features**

Manufactured from high strength copper alloy  
 Electro-tin plated for corrosion resistance  
 Wire range stamped on the surface for easy interpretation  
 Brazed seam prevents splitting under maximum pressure  
 Serrated barrel provides excellent electrical contact and pull-out resistance characteristics at barrel

**General**

**Insulation Type** N/A  
**Material** Copper  
**Finish** Electro-tin plated  
**Color** N/A  
**Wire Range** 16-14 AWG  
**Stud Size** #4

**Dimension Information**

**L Inches (mm)** 0.63  
**W Inches (mm)** 0.224  
**D Inches (mm)** 0.161  
**d1 Inches (mm)** 0.091  
**d2 Inches (mm)** 0.126  
**E Inches (mm)** 0.189  
**F Inches (mm)** 0.256  
**T Inches (mm)** 0.031

**Specifications**

**Temperature Rating** 150°C  
**Voltage Rating** 600 V  
**Flammability Rating** N/A  
**Amp Rating** 16 AWG 18 Amps  
 14 AWG 30 Amps

**Packaging**

**Bag Qty** 100  
**Master Bag Qty** 1000

**Certifications**

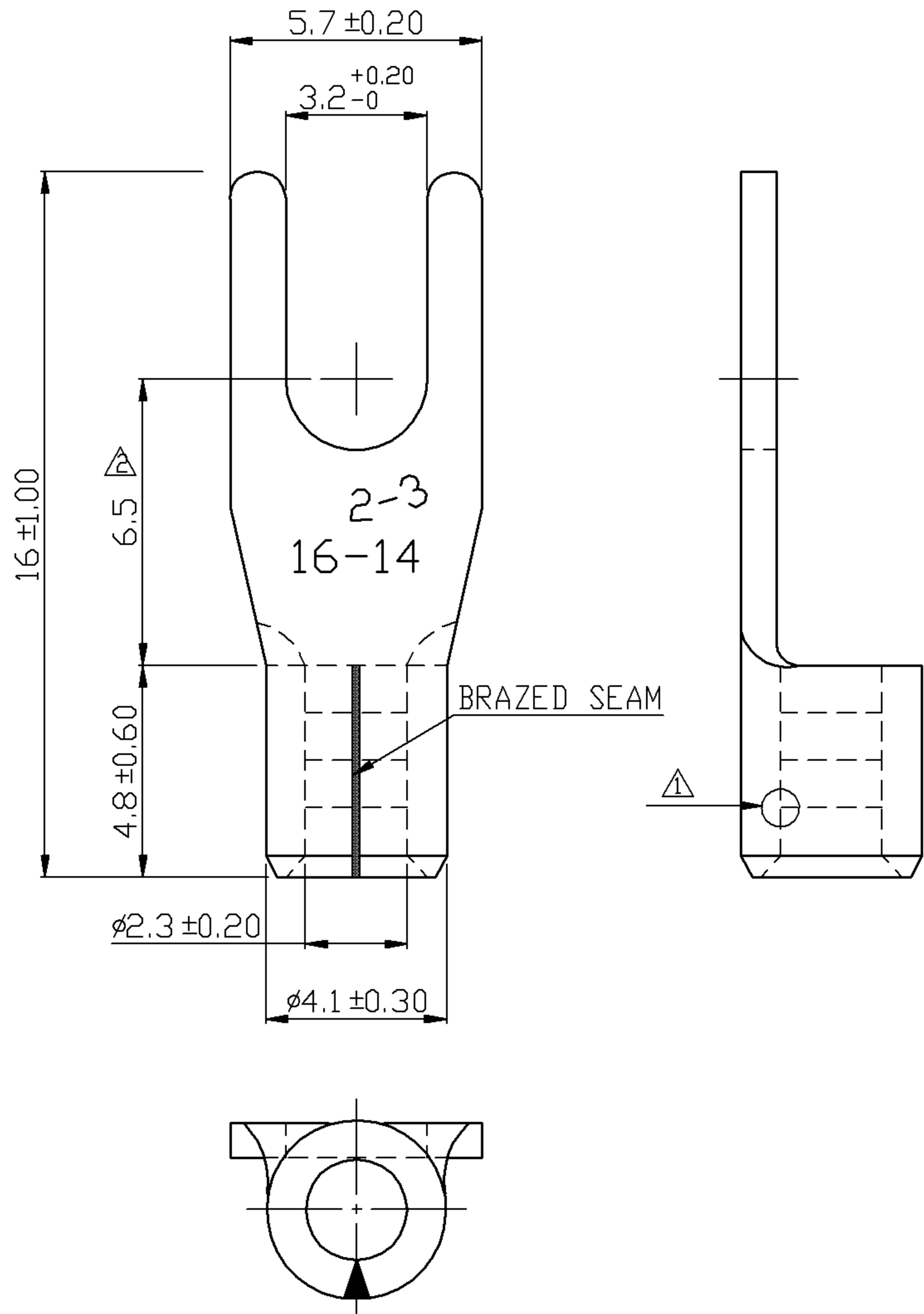
**UL** Yes  
**cUL** Yes  
**RoHS** Yes

Morris Products 53 Carey Road, Queensbury, NY 12804

[www.morrisproducts.com](http://www.morrisproducts.com)



| REV | DESCRIPTION | DATE       |
|-----|-------------|------------|
| △   | RDK-96036   | 2007/12/21 |
| △   | RDK-97127   | 2008/09/19 |
| △   | RDK-98020   | 2009/09/02 |



- NOTE :
1. MAXIMUM ELECTRIC CURRENT : 

|        |    |    |  |
|--------|----|----|--|
| A.W.G. | 16 | 14 |  |
| AMP.   | 18 | 30 |  |
  2. WIRE RANGE : 16-14 A.W.G. ( 1.5-2.5 mm<sup>2</sup> )
  3. SURFACE TREATMENT : TIN PLATED
  4. THICKNESS : 0.80 mm

|     |                                      |       |         |
|-----|--------------------------------------|-------|---------|
| △   | Tolerance Unless Otherwise Specified |       |         |
| 0 > | mm ±                                 | ANGLE |         |
| >   | mm ±                                 | 0° >  | ° REF ± |
| >   | mm ±                                 | ° >   | ° ±     |
| >   | mm ±                                 | ° >   | ° ±     |

|          |                               |          |        |         |         |    |  |
|----------|-------------------------------|----------|--------|---------|---------|----|--|
| NAME     | NON-INSULATED SPADE TERMINALS |          |        |         | UNIT    | mm |  |
| PART NO. | 11522                         | MATERIAL | COPPER | APPROVE |         |    |  |
| NUMBER   |                               | SCALE    | SHEET  | PAGE    | CHECKED |    |  |
| DATE     | 2006/12/14                    | 5/1      | 1-3    | 10F2    | DRAWN   |    |  |

Morris Products Inc.  
53 Carey Rd. Queensbury, NY 12804