



**Catalog Number** 11632  
**UPC Number** 60198611632  
**Description** Nylon Insulated Fork Spade Terminal  
 12-10 AWG

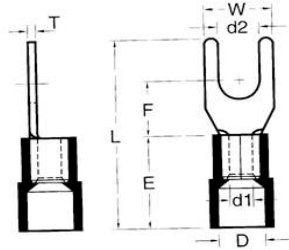


**Features**

- Color Coded insulation for easy identification
- Manufactured from high strength copper alloy
- Electro-tin plated for corrosion resistance
- Easy entry expanded insulation eliminates strand “Hang Up”, increases the crimping rates and the reliability of the termination
- Wire range stamped on the surface for easy interpretation
- Brazed seams prevent splitting under maximum pressure
- Serrated barrel & flared insulation sleeve provides excellent contact & mechanical stress relief at insulation & barrel junction

**General**

**Insulation Type** Nylon  
**Material** Copper Tubular/Copper Plate  
**Finish** Electro-Tin Plated  
**Color** Yellow  
**Wire Range** 12-10  
**Stud Size** #6



**Dimension Information**

**L Inches (mm)** 1.004  
**D Inches (mm)** 0.252  
**D1 Inches (mm)** 0.134  
**D2 Inches (mm)** 0.146  
**E Inches (mm)** 0.512  
**F Inches (mm)** 0.276  
**W Inches (mm)** 0.327  
**T Inches (mm)** 0.039

**Specifications**

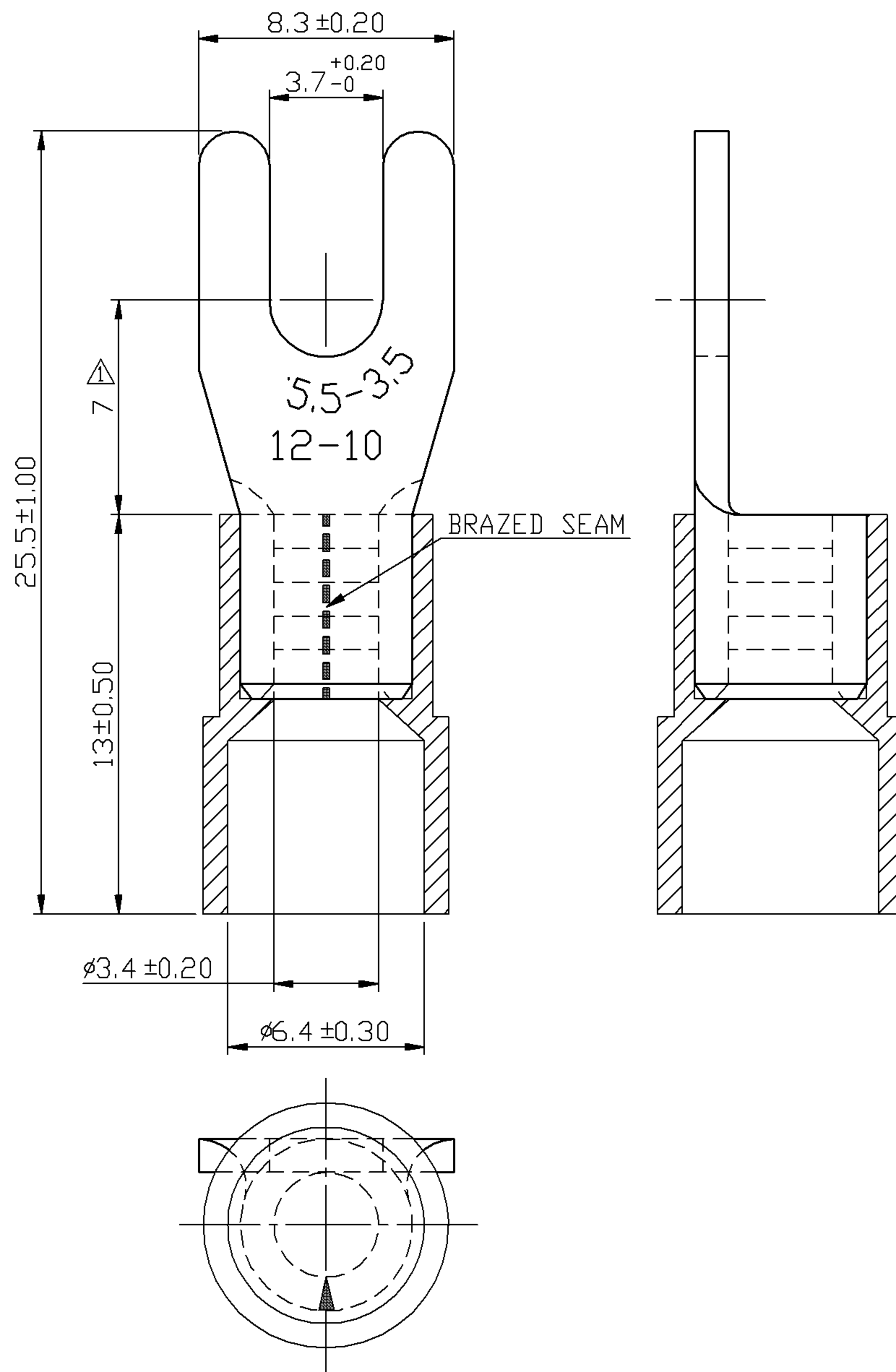
**Temperature Rating** 105°C  
**Voltage Rating** 600 V  
**Flammability Rating** UL94V-O  
**Amp Rating** 12 AWG 35 Amps  
 10 AWG 50 Amps

**Packaging**

**Bag Qty** 100  
**Master Bag Qty** 1000

**Certifications**

**UL** Yes  
**cUL** Yes  
**RoHS** Yes



REV	DESCRIPTION	DATE
△	RDK-97127	2009/09/04
△	RDK-98020	2009/09/04

- NOTE:
- MAXIMUM ELECTRIC CURRENT : 

A.W.G.	12	10
AMP.	35	50
  - MAXIMUM ELECTRICAL RATING : 105°C 600 VOLTS MAX.
  - INSULATION MATERIAL : NYLON
  - INSULATION COLOR : YELLOW
  - TERMINAL MATERIAL : COPPER
  - WIRE RANGE : 12-10 A.W.G. ( 4-6 mm<sup>2</sup>)
  - TERMINAL SURFACE TREATMENT : TIN PLATED
  - TERMINAL THICKNESS : 1.00 mm

△ Tolerance Unless	
□ Otherwise Specified	
0 >	mm ±
>	mm ±
>	mm ±
>	mm ±
	ANGLE
	0° > ° REF ±
	° > ° ±
	° > ° ±

NAME	NYLON-INSULATED SPADE TERMINALS			UNIT	mm	
PART NO.	11632	MATERIAL	-----	APPROVE		
NUMBER		SCALE	SHEET	PAGE	CHECKED	
DATE	2007/11/06	4/1	1-2	10F2	DRAWN	

Morris Products Inc.  
53 Carey Rd Queensbury, NY 12804