



**Catalog Number** 11702  
**UPC Number** 60198611702  
**Description** Vinyl Insulated Locking Fork Spade Terminal  
 22-16 AWG



#### Features

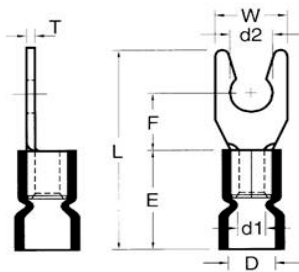
- Color Coded insulation for easy identification
- Manufactured from high strength copper alloy
- Electro-tin plated for corrosion resistance
- Easy entry expanded insulation eliminates strand “Hang Up”, increases the crimping rates and the reliability of the termination
- Wire range stamped on the surface for easy interpretation
- Butted seams prevent splitting under maximum pressure
- Serrated barrel & flared insulation sleeve provides excellent contact & mechanical stress relief at insulation & barrel junction

#### General

**Insulation Type** Vinyl  
**Material** Copper Tubular/Copper Plate  
**Finish** Electro-Tin Plated  
**Color** Red  
**Wire Range** 22-16  
**Stud Size** #6

#### Dimension Information

**L Inches (mm)** 0.874  
**D Inches (mm)** 0.134  
**D1 Inches (mm)** 0.067  
**D2 Inches (mm)** 0.146  
**E Inches (mm)** 0.441  
**F Inches (mm)** 0.256  
**W Inches (mm)** 0.252  
**T Inches (mm)** 0.03



#### Specifications

**Temperature Rating** 105°C  
**Voltage Rating** 600 V  
**Flammability Rating** UL94V-O  
**Amp Rating** 22 AWG 9 Amps  
 20 AWG 12 Amps  
 18 AWG 17 Amps  
 16 AWG 18 Amps

#### Packaging

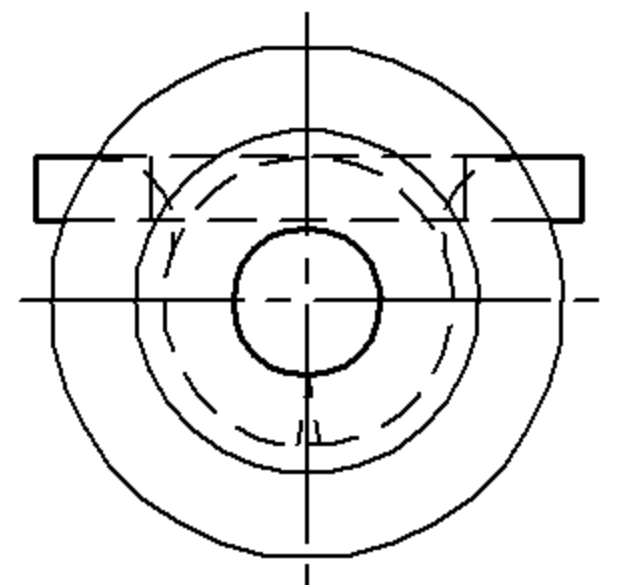
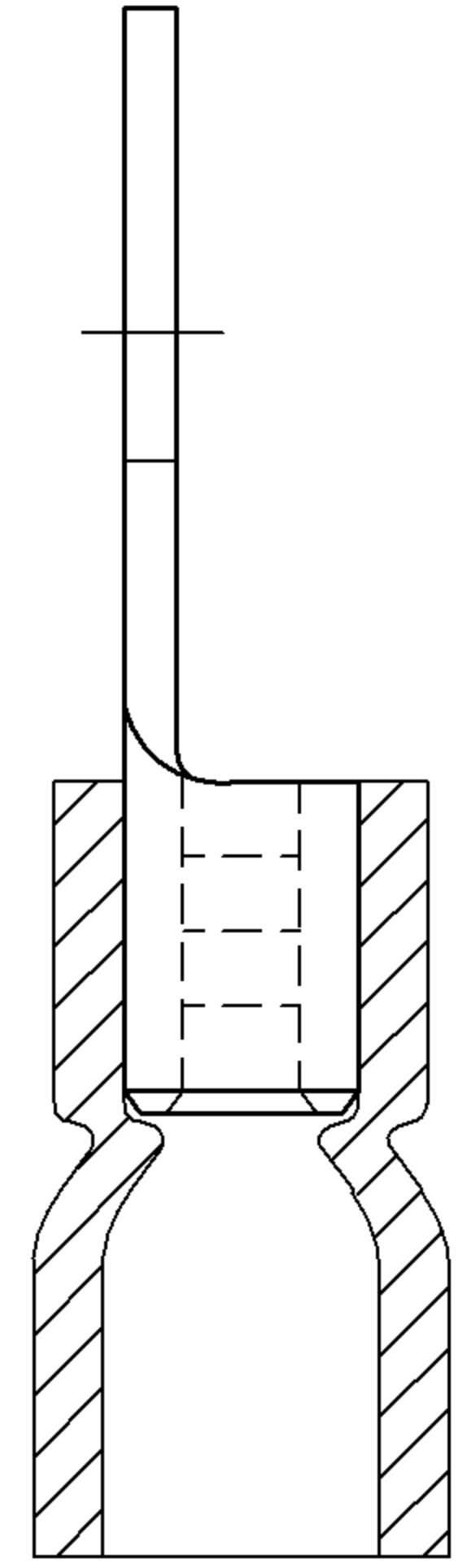
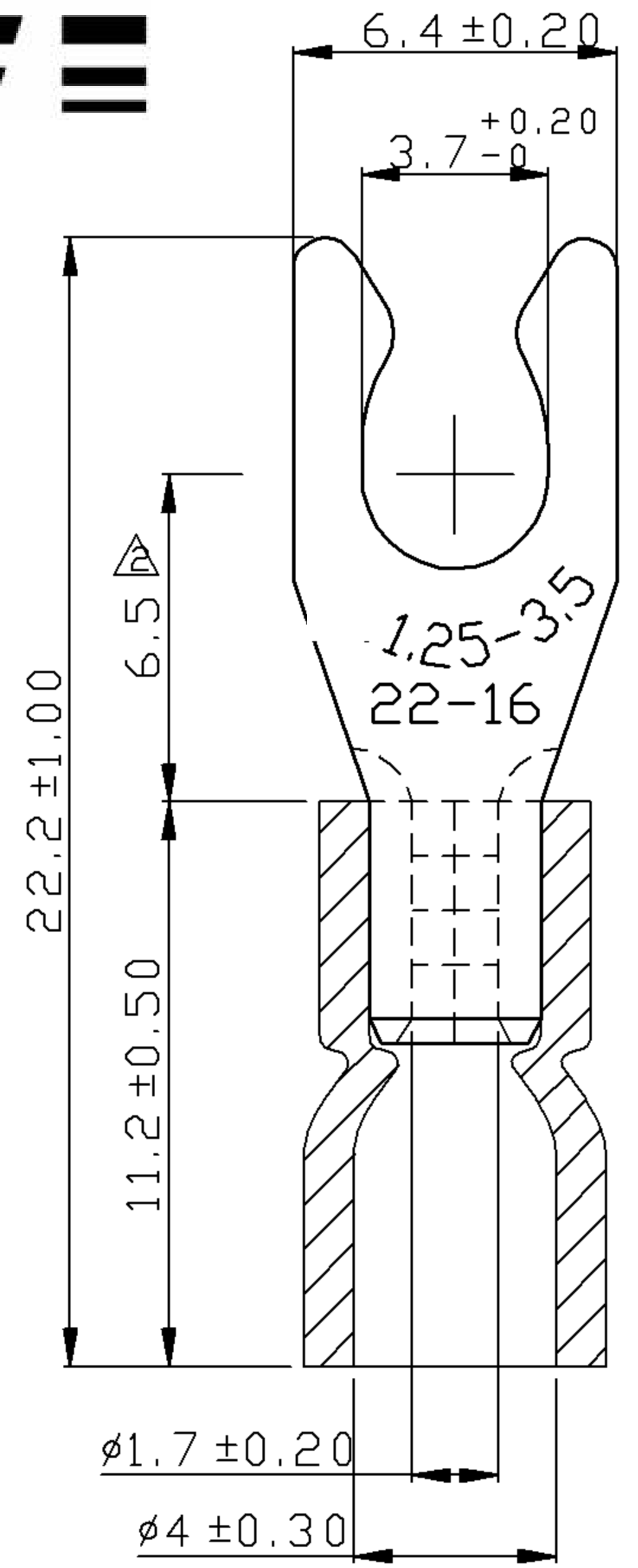
**Bag Qty** 100  
**Master Bag Qty** 1000

#### Certifications

**UL** Yes  
**cUL** Yes  
**RoHS** Yes

Morris Products 53 Carey Road, Queensbury, NY 12804

[www.morrisproducts.com](http://www.morrisproducts.com)



REV	DESCRIPTION	DATE
△	RDK-97048	2009/07/20
△	RDK-97127	2009/07/20
△	RDK-98020	2009/07/20

- NOTE :
1. MAXIMUM ELECTRIC CURRENT : 

A.W.G.	22	20	18	16
AMP.	9	12	17	18
  2. MAXIMUM ELECTRICAL RATING : 105°C 600 VOLTS MAX.
  3. INSULATION MATERIAL : VINYL
  4. INSULATION COLOR : RED
  5. TERMINAL MATERIAL : COPPER
  6. WIRE RANGE : 22-16 A.W.G. ( 0.5-1.5 mm<sup>2</sup> )
  7. TERMINAL SURFACE TREATMENT : TIN PLATED
  8. TERMINAL THICKNESS : 0.75 mm

△	Tolerance Unless Otherwise Specified		
0 >	mm ±	ANGLE	
>	mm ±	0° >	° REF ±
>	mm ±	° >	° ±
>	mm ±	° >	° ±

NAME	VINYL-INSULATED (EASY ENTRY) LOCKING SPADE TERMINALS			UNIT	mm	
PART NO.	11702	MATERIAL	-----	APPROVE		
NUMBER	.....	SCALE	SHEET	PAGE	CHECKED	
DATE	2006/06/21	4/1	1-3	10F2	DRAWN	

Morris Products Inc.  
 53 Carey Rd Queensbury, NY 12804