



Catalog Number 11714
UPC Number 60198611714
Description Vinyl Insulated Locking Fork Spade Terminal
 12-10 AWG



Features

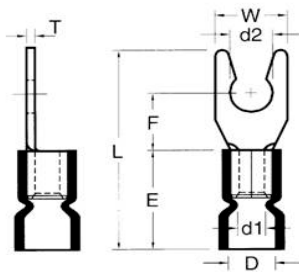
- Color Coded insulation for easy identification
- Manufactured from high strength copper alloy
- Electro-tin plated for corrosion resistance
- Easy entry expanded insulation eliminates strand “Hang Up”, increases the crimping rates and the reliability of the termination
- Wire range stamped on the surface for easy interpretation
- Butted seams prevent splitting under maximum pressure
- Serrated barrel & flared insulation sleeve provides excellent contact & mechanical stress relief at insulation & barrel junction

General

Insulation Type Vinyl
Material Copper Tubular/Copper Plate
Finish Electro-Tin Plated
Color Yellow
Wire Range 12-10
Stud Size #6

Dimension Information

L Inches (mm) 1.035
D Inches (mm) 0.248
D1 Inches (mm) 0.134
D2 Inches (mm) 0.146
E Inches (mm) 0.555
F Inches (mm) 0.276
W Inches (mm) 0.327
T Inches (mm) 0.039



Specifications

Temperature Rating 105°C
Voltage Rating 600 V
Flammability Rating UL94V-O
Amp Rating 12 AWG 35 Amps
 10 AWG 50 Amps

Packaging

Bag Qty 100
Master Bag Qty 1000

Certifications

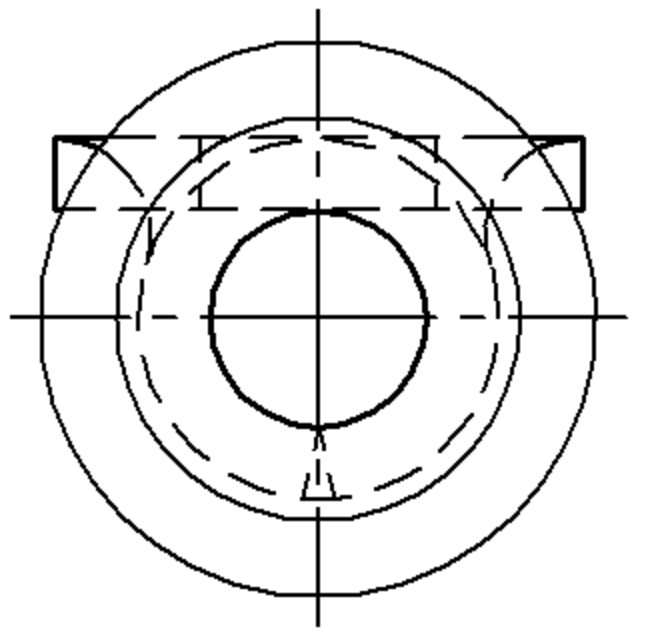
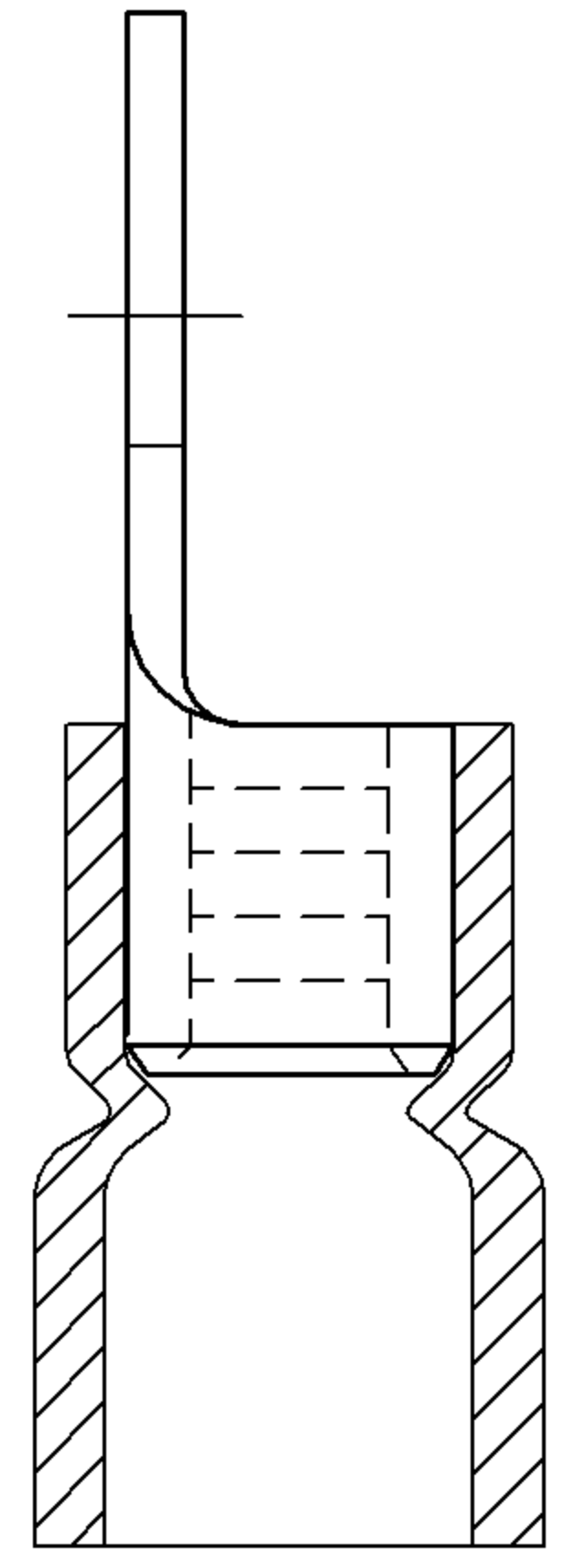
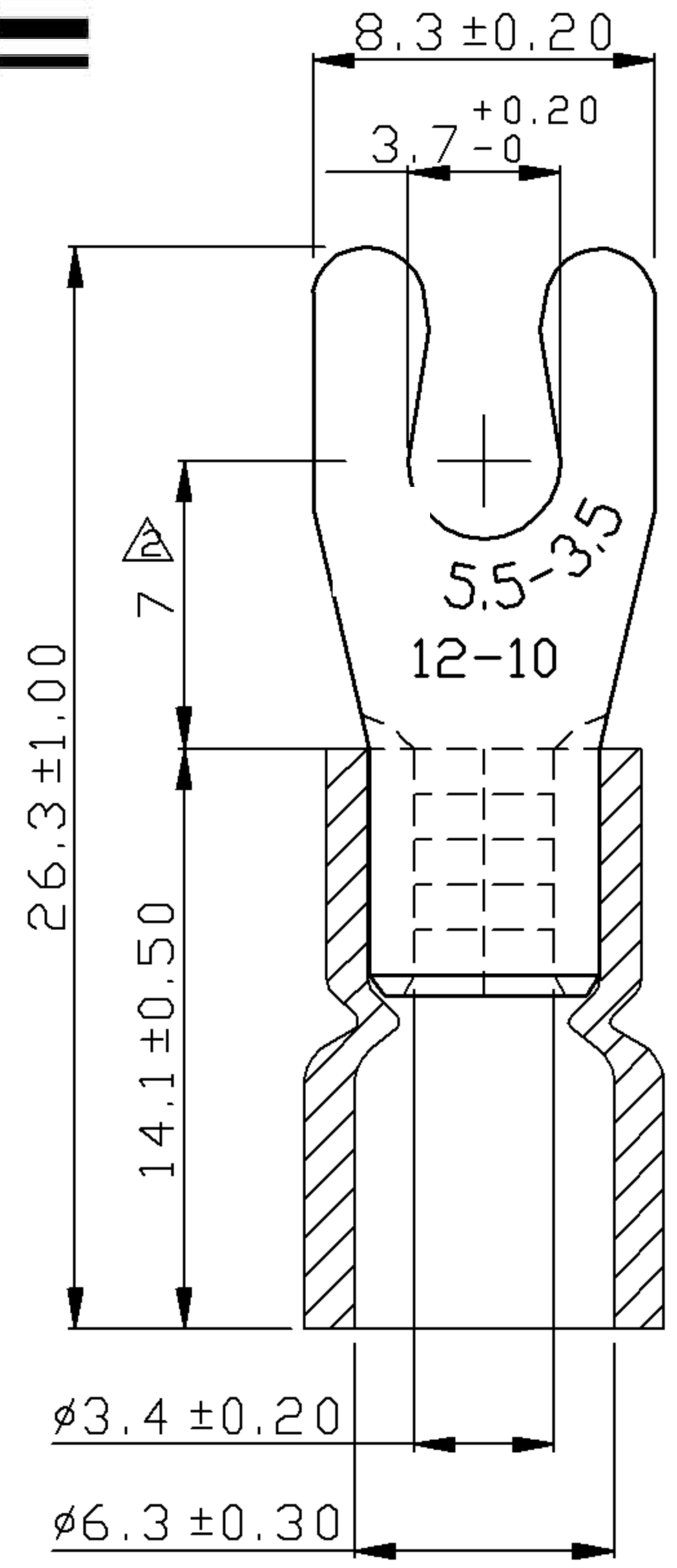
UL Yes
cUL Yes
RoHS Yes

Morris Products 53 Carey Road, Queensbury, NY 12804

www.morrisproducts.com



REV	DESCRIPTION	DATE
△	RDK-97048	2009/07/20
△	RDK-97127	2009/07/20
△	RDK-98020	2009/07/20



NOTE :

1. MAXIMUM ELECTRIC CURRENT :

A.W.G.	12	10	
AMP.	35	50	
2. MAXIMUM ELECTRICAL RATING : 105°C 600 VOLTS MAX.
3. INSULATION MATERIAL : VINYL
4. INSULATION COLOR : YELLOW
5. TERMINAL MATERIAL : COPPER
6. WIRE RANGE : 12-10 A.W.G. (4-6 mm²)
7. TERMINAL SURFACE TREATMENT : TIN PLATED
8. TERMINAL THICKNESS : 1.00 mm

△ Tolerance Unless Otherwise Specified	
0 >	mm ± ANGLE
>	mm ± 0° > ° REF ±
>	mm ± ° > ° ±
>	mm ± ° > ° ±

NAME	VINYL-INSULATED (EASY ENTRY) LOCKING SPADE TERMINALS			UNIT	mm	
PART NO.	11714	MATERIAL	-----	APPROVE		
NUMBER		SCALE	SHEET	PAGE	CHECKED	
DATE	2006/06/21	3/1	1-3	10F2	DRAWN	

Morris Products Inc.
53 Carey Rd Queensbury, NY 12804