



**Catalog Number** 11728  
**UPC Number** 60198611728  
**Description** Nylon Insulated Fork Spade Terminal  
 16-14 AWG

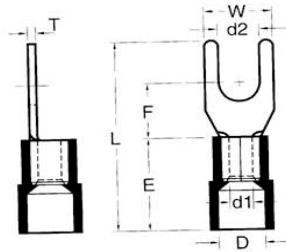


**Features**

- Color Coded insulation for easy identification
- Manufactured from high strength copper alloy
- Electro-tin plated for corrosion resistance
- Easy entry expanded insulation eliminates strand “Hang Up”, increases the crimping rates and the reliability of the termination
- Wire range stamped on the surface for easy interpretation
- Brazed seams prevent splitting under maximum pressure
- Serrated barrel & flared insulation sleeve provides excellent contact & mechanical stress relief at insulation & barrel junction

**General**

Insulation Type Nylon  
 Material Copper Tubular/Copper Plate  
 Finish Electro-Tin Plated  
 Color Blue  
 Wire Range 16-14  
 Stud Size #6



**Dimension Information**

L Inches (mm) 0.866  
 D Inches (mm) 0.161  
 D1 Inches (mm) 0.091  
 D2 Inches (mm) 0.146  
 E Inches (mm) 0.433  
 F Inches (mm) 0.256  
 W Inches (mm) 0.236  
 T Inches (mm) 0.031

**Specifications**

Temperature Rating 105°C  
 Voltage Rating 600 V  
 Flammability Rating UL94V-O  
 Amp Rating 16 AWG 18 Amps  
 14 AWG 30 Amps

**Packaging**

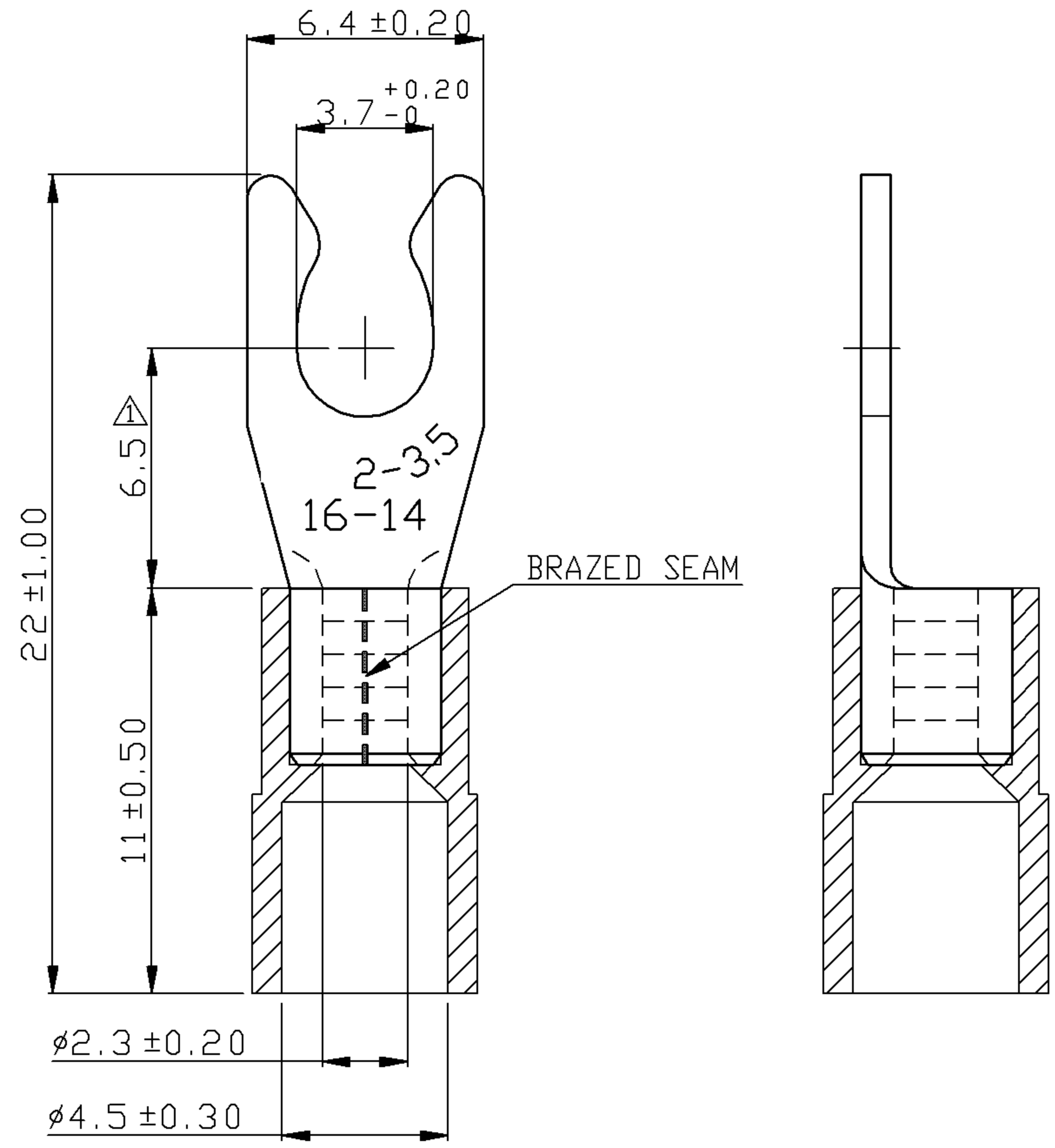
Bag Qty 100  
 Master Bag Qty 1000

**Certifications**

UL Yes  
 cUL Yes  
 RoHS Yes

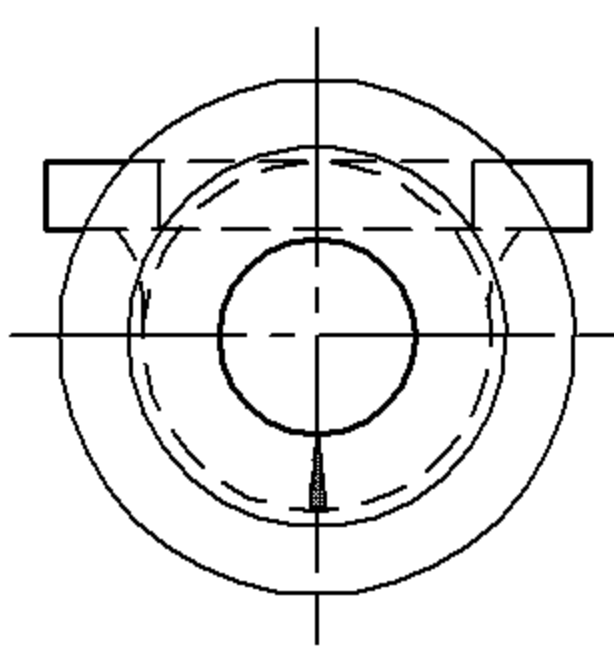


REV	DESCRIPTION	DATE
△	RDK-97127	2009/08/28
△	RDK-98020	2009/08/28



- NOTE :
- MAXIMUM ELECTRIC CURRENT : 

A.W.G.	16	14	
AMP.	18	30	
  - MAXIMUM ELECTRICAL RATING : 105°C 600 VOLTS MAX.
  - INSULATION MATERIAL : NYLON
  - INSULATION COLOR : BLUE
  - TERMINAL MATERIAL : COPPER
  - WIRE RANGE : 16-14 A.W.G. ( 1.5-2.5 mm<sup>2</sup>)
  - TERMINAL SURFACE TREATMENT : TIN PLATED
  - TERMINAL THICKNESS : 0.80 mm



△ Tolerance Unless	
□ Otherwise Specified	
0 >	mm ±
>	mm ±
>	mm ±
>	mm ±

NAME	NYLON-INSULATED LOCKING SPADE TERMINALS			UNIT	mm	
PART NO.	11728	MATERIAL	-----	APPROVE		
NUMBER		SCALE	SHEET	PAGE	CHECKED	
DATE	2007/01/29	4/1	1-2	10F2	DRAWN	

Morris Products Inc.  
53 Carey Rd -Queensbury, NY 12804