



Catalog Number 11734
UPC Number 60198611734
Description Nylon Insulated Fork Spade Terminal
 12-10 AWG



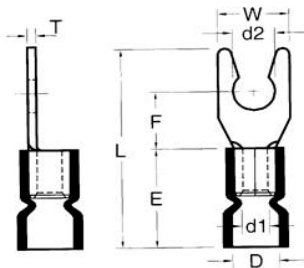
Features

- Color Coded insulation for easy identification
- Manufactured from high strength copper alloy
- Electro-tin plated for corrosion resistance
- Easy entry expanded insulation eliminates strand “Hang Up”, increases the crimping rates and the reliability of the termination
- Wire range stamped on the surface for easy interpretation
- Brazed seams prevent splitting under maximum pressure
- Serrated barrel & flared insulation sleeve provides excellent contact & mechanical stress relief at insulation & barrel junction

General

Insulation Type Nylon
Material Copper Tubular/Copper Plate
Finish Electro-Tin Plated
Color Yellow
Wire Range 12-10
Stud Size #6

Dimension Information



L Inches (mm) 0.992
D Inches (mm) 0.252
D1 Inches (mm) 0.134
D2 Inches (mm) 0.146
E Inches (mm) 0.512
F Inches (mm) 0.276
W Inches (mm) 0.327
T Inches (mm) 0.039

Specifications

Temperature Rating 105°C
Voltage Rating 600 V
Flammability Rating UL94V-O
Amp Rating 12 AWG 35 Amps
 10 AWG 50 Amps

Packaging

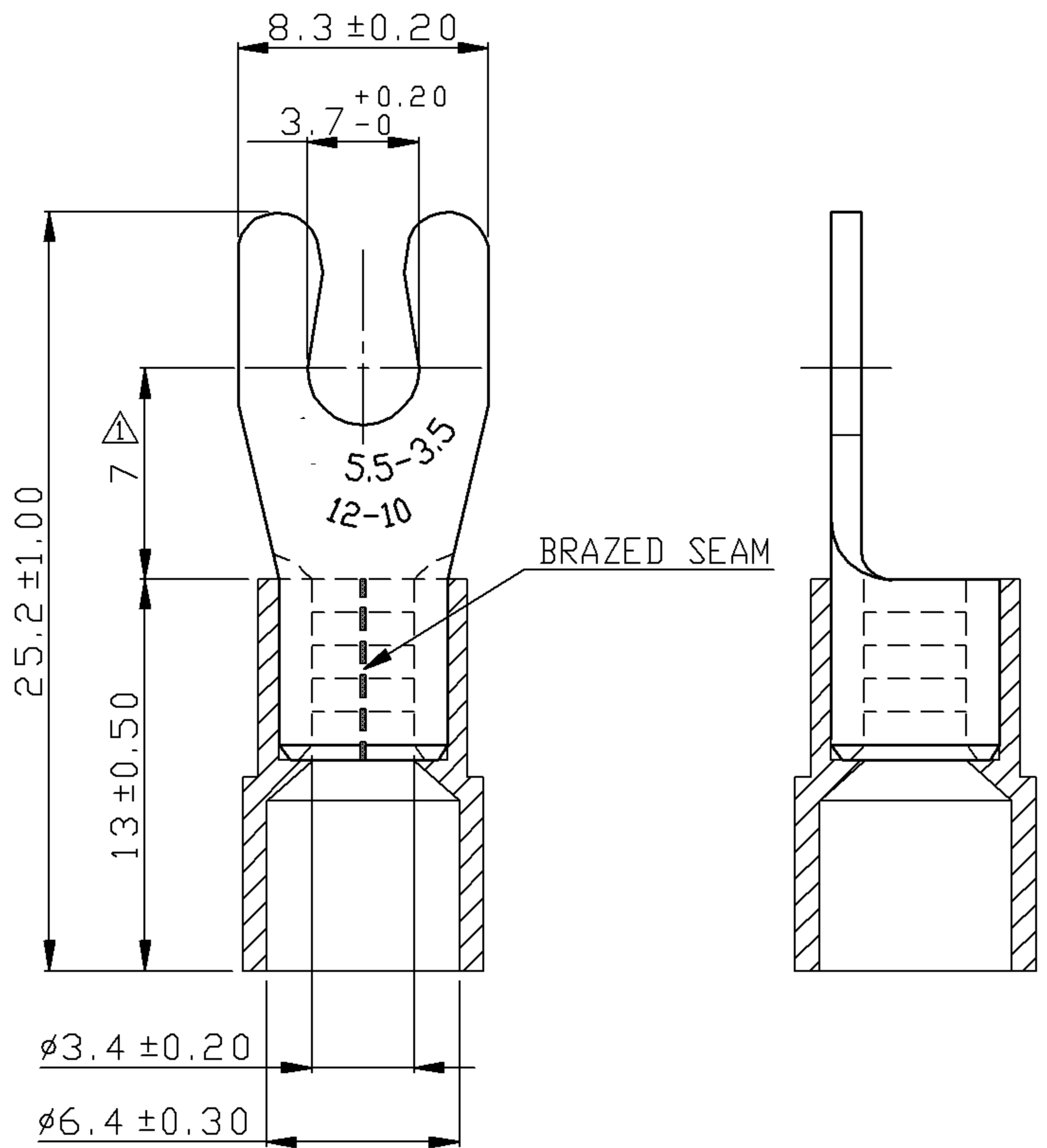
Bag Qty 100
Master Bag Qty 1000

Certifications

UL Yes
cUL Yes
RoHS Yes



REV	DESCRIPTION	DATE
△	RDK-97127	2009/08/28
△	RDK-98020	2009/08/28



- NOTE :
1. MAXIMUM ELECTRIC CURRENT :

A.W.G.	12	10	
AMP.	35	50	
 2. MAXIMUM ELECTRICAL RATING : 105°C 600 VOLTS MAX.
 3. INSULATION MATERIAL : NYLON
 4. INSULATION COLOR : YELLOW
 5. TERMINAL MATERIAL : COPPER
 6. WIRE RANGE : 12-10 A.W.G. (4-6 mm²)
 7. TERMINAL SURFACE TREATMENT : TIN PLATED
 8. TERMINAL THICKNESS : 1.00 mm

△ Tolerance Unless	
□ Otherwise Specified	
0 >	mm ±
>	mm ±
>	mm ±
>	mm ±

NAME	NYLON-INSULATED LOCKING SPADE TERMINALS				UNIT	mm	
PART NO.	11734	MATERIAL	-----	APPROVE			
NUMBER		SCALE	SHEET	PAGE	CHECKED		
DATE	2007/01/29	3/1	1-2	10F2	DRAWN		

Morris Products Inc
53 Carey Rd Queensbury NY 12804