



**Catalog Number** 11762  
**UPC Number** 60198611762  
**Description** Vinyl Insulated Flanged Fork Spade Terminal  
 22-16 AWG



**Features**

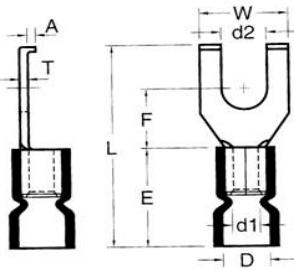
- Color Coded insulation for easy identification
- Manufactured from high strength copper alloy
- Electro-tin plated for corrosion resistance
- Easy entry expanded insulation eliminates strand “Hang Up”, increases the crimping rates and the reliability of the termination
- Wire range stamped on the surface for easy interpretation
- Butted seams prevent splitting under maximum pressure
- Serrated barrel & flared insulation sleeve provides excellent contact & mechanical stress relief at insulation & barrel junction
- Flanged tabs for increased pull-out force resistance

**General**

Insulation Type Vinyl  
 Material Copper Tubular/Copper Plate  
 Finish Electro-Tin Plated  
 Color Red  
 Wire Range 22-16  
 Stud Size #4

**Dimension Information**

L Inches (mm) 0.795  
 D Inches (mm) 0.157  
 D1 Inches (mm) 0.067  
 D2 Inches (mm) 0.126  
 E Inches (mm) 0.441  
 F Inches (mm) 0.201  
 W Inches (mm) 0.252  
 A Inches (mm) 0.059  
 T Inches (mm) 0.03



**Specifications**

Temperature Rating 105°C  
 Voltage Rating 600 V  
 Flammability Rating UL94V-O 9 Amps  
 Amp Rating 22 AWG 12 Amps  
 20 AWG 17 Amps  
 18 AWG 18 Amps  
 16 AWG

**Packaging**

Bag Qty 100  
 Master Bag Qty 1000

**Certifications**

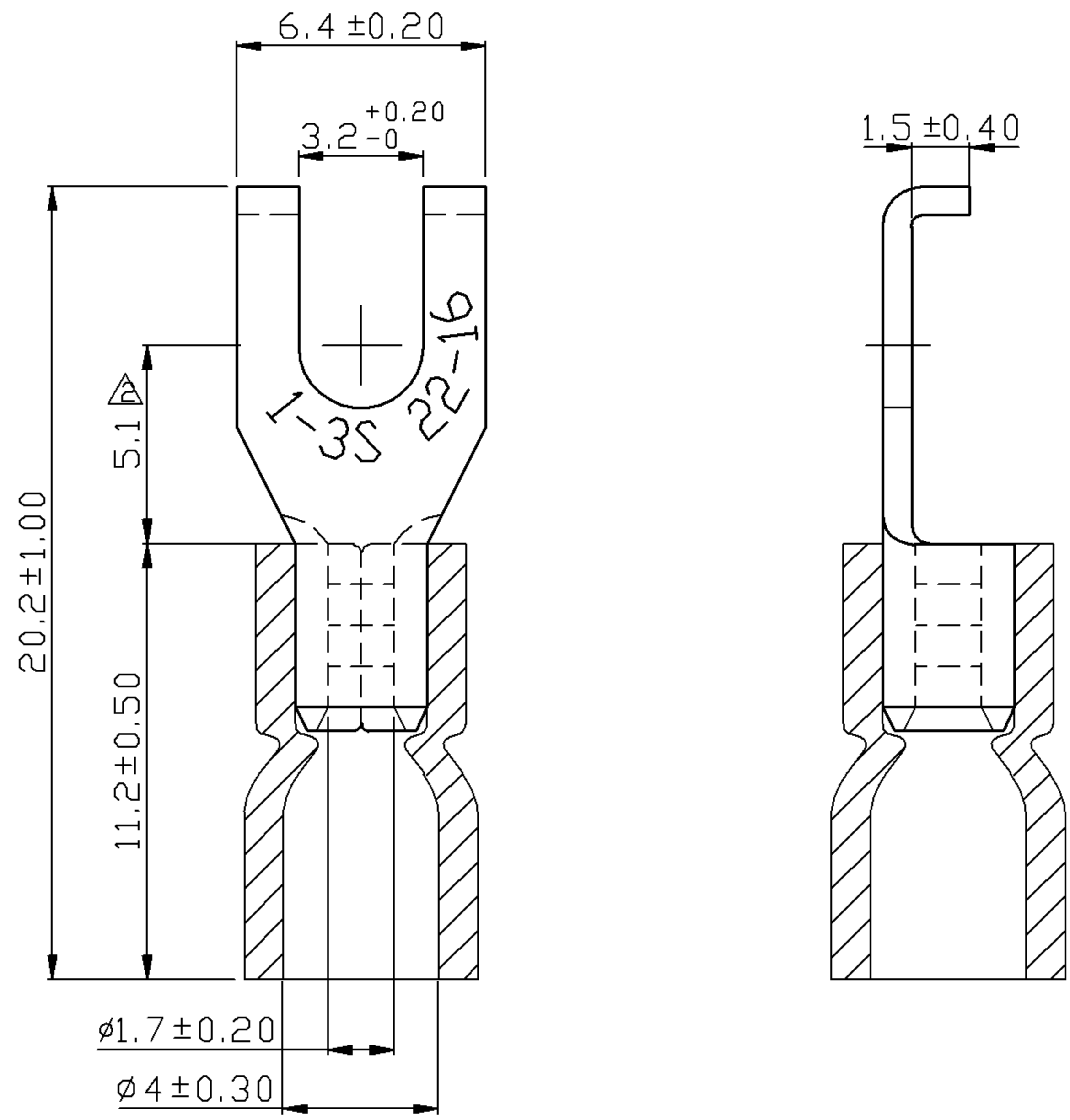
UL Yes  
 cUL Yes  
 RoHS Yes

Morris Products 53 Carey Road, Queensbury, NY 12804

[www.morrisproducts.com](http://www.morrisproducts.com)



REV	DESCRIPTION	DATE
△	RDK-97048	2009/07/14
△	RDK-97127	2009/07/14
△	RDK-98020	2009/07/14



- NOTE :
1. MAXIMUM ELECTRIC CURRENT : 

A.W.G.	22	20	18	16
AMP.	9	12	17	18
  2. MAXIMUM ELECTRICAL RATING :  $105^{\circ}\text{C}$  600 VOLTS MAX.
  3. INSULATION MATERIAL : VINYL
  4. INSULATION COLOR : RED
  5. TERMINAL MATERIAL : COPPER
  6. WIRE RANGE : 22-16 A.W.G. (  $0.5-1.5 \text{ mm}^2$  )
  7. TERMINAL SURFACE TREATMENT : TIN PLATED
  8. TERMINAL THICKNESS : 0.75 mm

△	Tolerance Unless Otherwise Specified		
0 >	mm ±	ANGLE	
>	mm ±	0° >	° REF ±
>	mm ±	° >	° ±
>	mm ±	° >	° ±

NAME	VINYL-INSULATED(EASY ENTRY) FLANGE SPADE TERMINALS			UNIT	mm	
PART NO.	11762	MATERIAL	-----	APPROVE		
NUMBER	.....	SCALE	SHEET	PAGE	CHECKED	
DATE	2008/01/03	4/1	1-3	10F2	DRAWN	

Morris Products Inc.  
53 Carey Rd Queensbury, NY 12804