



**Catalog Number** 11802  
**UPC Number** 60198611802  
**Description** Nylon Insulated Flanged Fork Spade Terminal  
 22-16 AWG



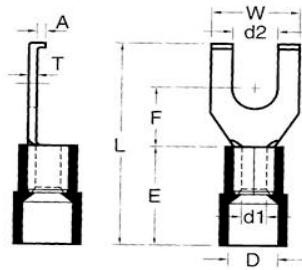
**Features**

- Color Coded insulation for easy identification
- Manufactured from high strength copper alloy
- Electro-tin plated for corrosion resistance
- Easy entry expanded insulation eliminates strand “Hang Up”, increases the crimping rates and the reliability of the termination
- Wire range stamped on the surface for easy interpretation
- Brazed seams prevent splitting under maximum pressure
- Serrated barrel & flared insulation sleeve provides excellent contact & mechanical stress relief at insulation & barrel junction
- Flanged tabs increase pull-out resistance

**General**

**Insulation Type** Nylon  
**Material** Copper Tubular/Copper Plate  
**Finish** Electro-Tin Plated  
**Color** Red  
**Wire Range** 22-16  
**Stud Size** #4

**Dimension Information**



**L Inches (mm)** 0.787  
**D Inches (mm)** 0.157  
**D1 Inches (mm)** 0.067  
**D2 Inches (mm)** 0.126  
**E Inches (mm)** 0.443  
**F Inches (mm)** 0.201  
**W Inches (mm)** 0.252  
**T Inches (mm)** 0.03

**Specifications**

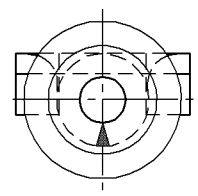
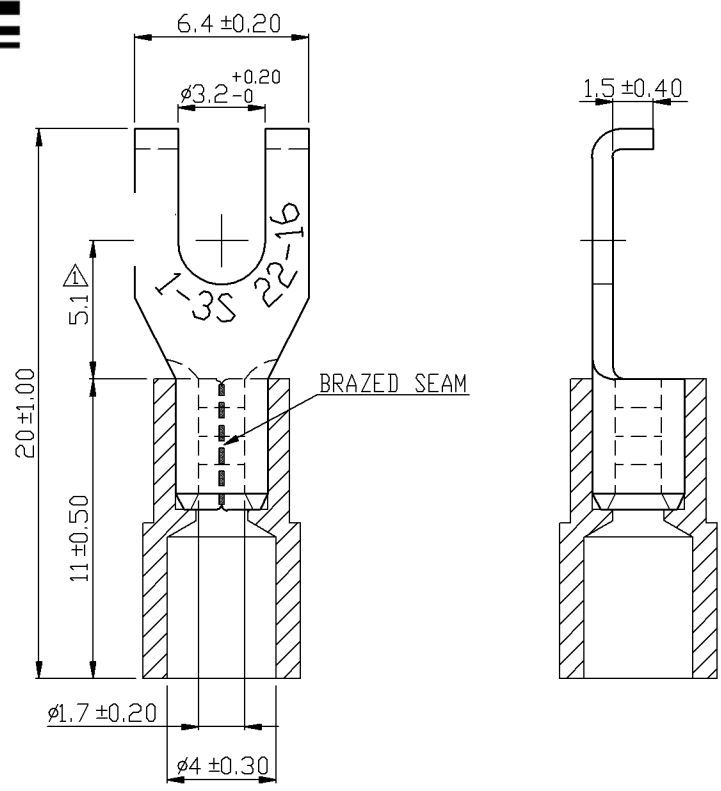
**Temperature Rating** 105°C  
**Voltage Rating** 600 V  
**Flammability Rating** UL94V-O  
**Amp Rating** 22 AWG 9 Amps  
 20 AWG 12 Amps  
 18 AWG 17 Amps  
 16 AWG 18 Amps

**Packaging**

**Bag Qty** 100  
**Master Bag Qty** 1000

**Certifications**

**UL** Yes  
**cUL** Yes  
**RoHS** Yes



REV	DESCRIPTION	DATE
△	RDK-97127	2009/10/22
△	RDK-98020	2009/10/22

NOTE :

1. MAXIMUM ELECTRIC CURRENT : 

A.W.G.	22	20	18	16
AMP.	9	12	17	18
2. MAXIMUM ELECTRICAL RATING : 105°C 600 VOLTS MAX.
3. INSULATION MATERIAL : NYLON
4. INSULATION COLOR : RED
5. TERMINAL MATERIAL : COPPER
6. WIRE RANGE : 22-16 A.W.G. ( 0.5-1.5 mm<sup>2</sup> )
7. TERMINAL SURFACE TREATMENT : TIN PLATED
8. TERMINAL THICKNESS : 0.75 mm

△ Tolerance Unless Otherwise Specified	
> mm ±	ANGLE
> mm ±	0° ° REF ±
> mm ±	° ±
> mm ±	° ±

NAME	NYLON-INSULATED FLANGE SPADE TERMINALS			UNIT	mm	
PART NO.	11802	MATERIAL	-----	APPROVE		
NUMBER		SCALE	SHEET	PAGE	CHECKED	
DATE	2006/06/19	4/1	1-2	10F2	DRAWN	

Morris Products Inc.