



Catalog Number 11822
UPC Number 60198611822
Description Non-Insulated Pin Terminal
 22-16 AWG



Features

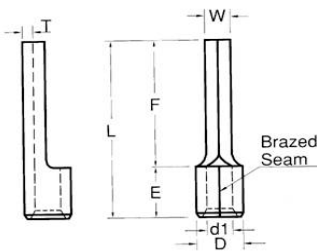
- Manufactured from high strength copper alloy
- Electro-tin plated for corrosion resistance
- Easy entry expanded barrel eliminates strand “Hang Up”, increases the crimping rates and the reliability of the termination
- Wire range stamped on the surface for easy interpretation
- Brazed seams prevent splitting under maximum pressure
- Serrated barrel provides excellent contact & mechanical pull-out force resistance
- Excellent for terminal block applications

General

Insulation Type N/A
 Material Copper Tubular/Copper Plate
 Finish Electro-Tin Plated
 Color N/A
 Wire Range 22-16
 Stud Size N/A

Dimension Information

L Inches (mm) 0.661
 D Inches (mm) 0.134
 D1 Inches (mm) 0.067
 E Inches (mm) 0.189
 F Inches (mm) 0.472
 W Inches (mm) 0.075
 T Inches (mm) 0.03



Specifications

Temperature Rating 150°C
 Voltage Rating 600 V
 Flammability Rating N/A
 Amp Rating 22 AWG 9 Amps
 20 AWG 12 Amps
 18 AWG 17 Amps
 16 AWG 18 Amps

Packaging

Bag Qty 100
 Master Bag Qty 1000

Certifications

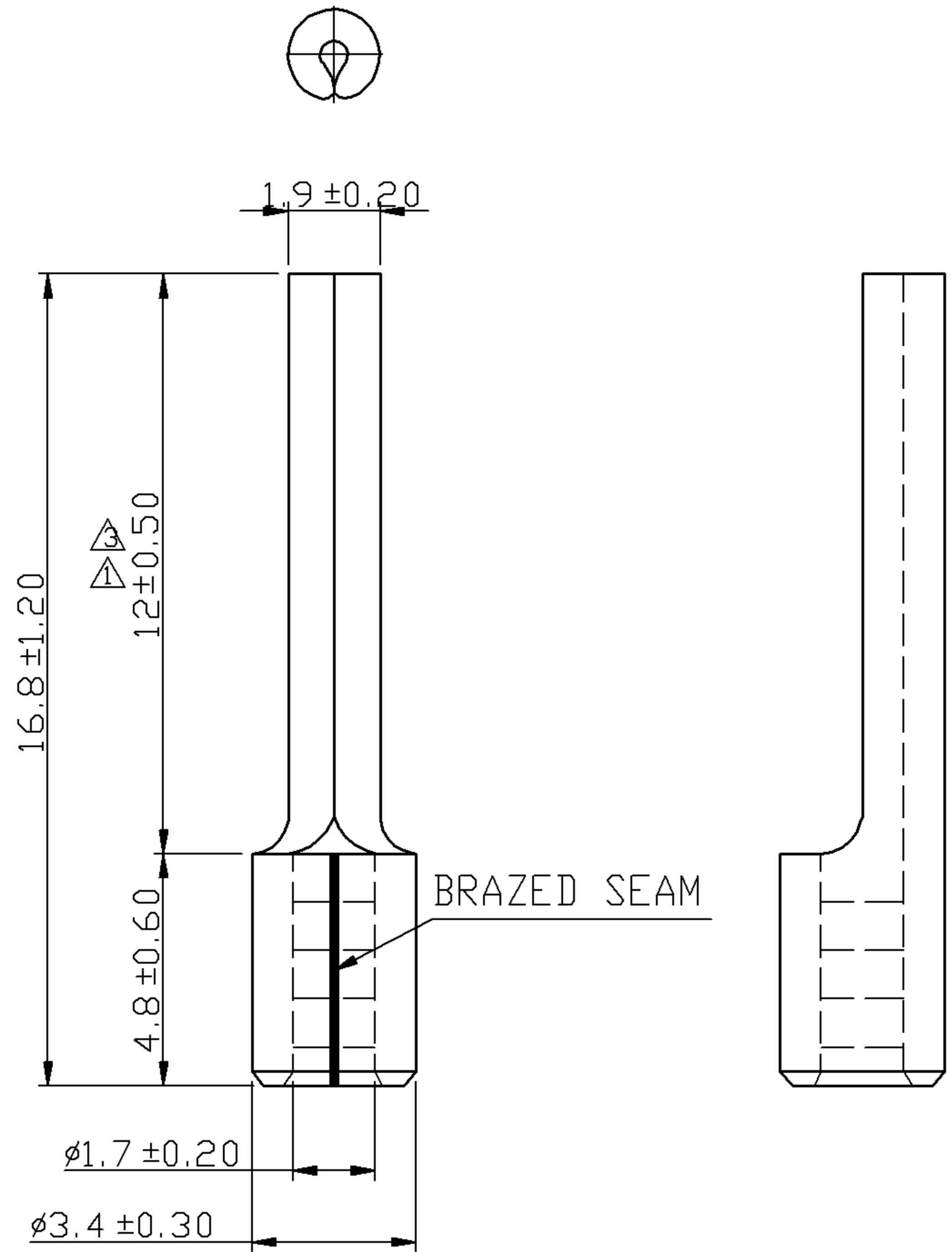
UL Yes
 cUL Yes
 RoHS Yes

Morris Products 53 Carey Road, Queensbury, NY 12804

www.morrisproducts.com



REV	DESCRIPTION	DATE
△	RDK-97127	2008/11/28
△	RDK-98020	2009/05/25
△	RDC-98308	2009/06/04



NOTE :

- MAXIMUM ELECTRIC CURRENT :

A.W.G.	22	20	18	16
AMP.	9	12	17	18
- WIRE RANGE : 22-16 A.W.G. (0.5-1.5 mm²)
- SURFACE TREATMENT : TIN PLATED
- THICKNESS : 0.75 mm

Tolerance Unless Otherwise Specified	
0 >	mm ±
>	mm ±
>	mm ±
>	mm ±

NAME	NON-INSULATED PIN TERMINALS				UNIT	
PART NO.	11822	MATERIAL	COPPER	APPROVE		
NUMBER		SCALE	SHEET	PAGE	CHECKED	
DATE	2006/11/23	5/1	1-3	10F1	DRAWN	

Morris Products Inc.
53 Carey Rd. Queensbury, NY 12020