



Catalog Number 11832
UPC Number 60198611832
Description Nylon Insulated Pin Terminal
 22-16 AWG

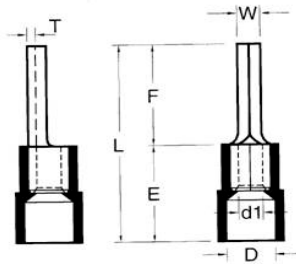


Features

- Manufactured from high strength copper alloy
- Electro-tin plated for corrosion resistance
- Expanded insulation eliminates strand “Hang Up”, provides strain relief & excellent High Temp, UV & chemical resistance
- Wire range stamped on the surface for easy interpretation
- Brazed seams prevent splitting under maximum pressure
- Serrated barrel provides excellent contact & mechanical pull-out force resistance characteristics
- Excellent for terminal block applications

General

Insulation Type Nylon
Material Copper Tubular/Copper Plate
Finish Electro-Tin Plated
Color Red
Wire Range 22-16
Stud Size N/A



Dimension Information

L Inches (mm) 0.898
D Inches (mm) 0.157
D1 Inches (mm) 0.067
E Inches (mm) 0.433
F Inches (mm) 0.472
W Inches (mm) 0.075
T Inches (mm) 0.03

Specifications

Temperature Rating 105°C
Voltage Rating 600 V
Flammability Rating N/A
Amp Rating

| | |
|--------|---------|
| 22 AWG | 9 Amps |
| 20 AWG | 12 Amps |
| 18 AWG | 17 Amps |
| 16 AWG | 18 Amps |

Packaging

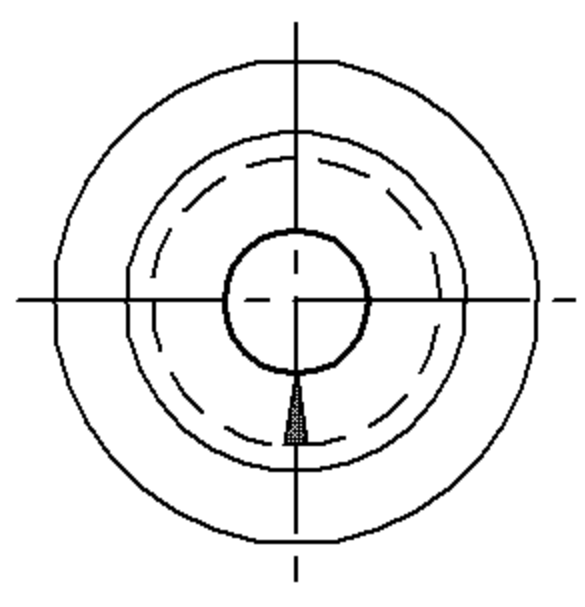
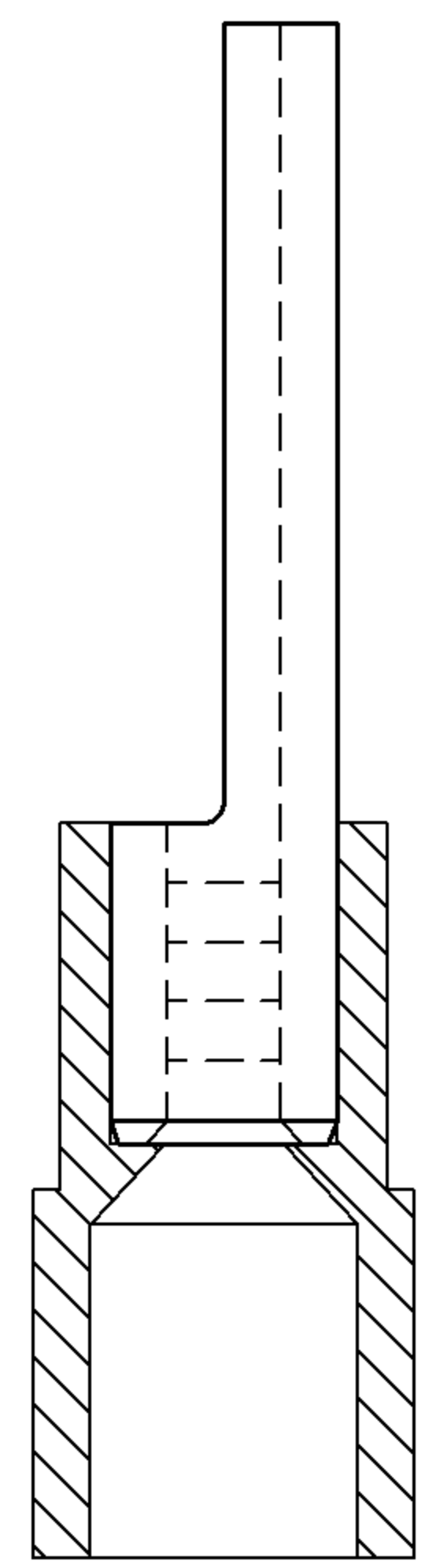
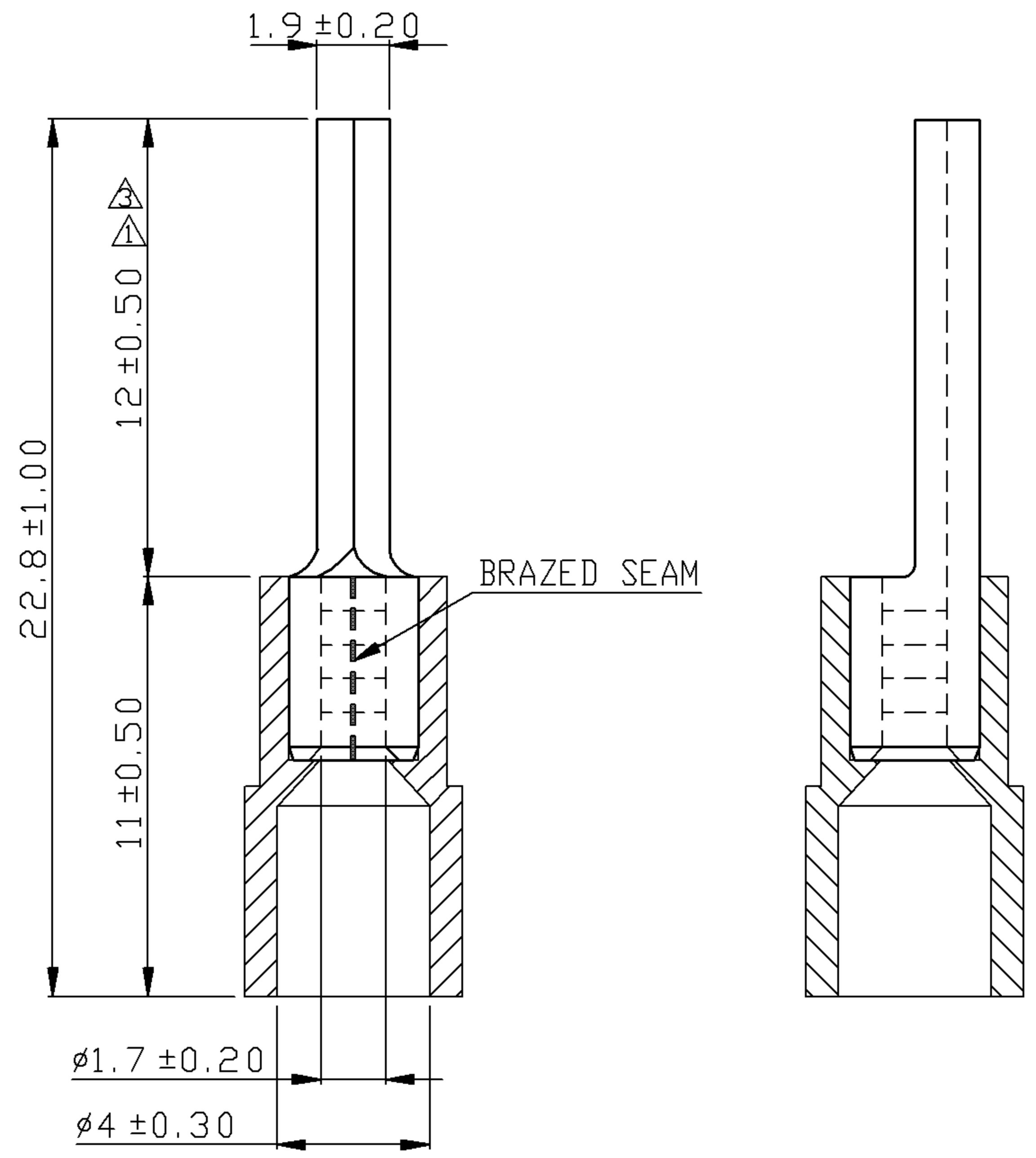
Bag Qty 100
Master Bag Qty 1000

Certifications

UL Yes
cUL Yes
RoHS Yes



| REV | DESCRIPTION | DATE |
|-----|-------------|------------|
| △ | RDK-97127 | 2008/11/24 |
| △ | RDK-98020 | 2009/06/11 |
| △ | RDC-98308 | 2009/06/11 |



- NOTE:
1. MAXIMUM ELECTRIC CURRENT :

| | | | | |
|--------|----|----|----|----|
| A.W.G. | 22 | 20 | 18 | 16 |
| AMP. | 9 | 12 | 17 | 18 |
 2. MAXIMUM ELECTRICAL RATING : 105°C 600 VOLTS MAX.
 3. INSULATION MATERIAL : NYLON
 4. INSULATION COLOR : RED
 5. TERMINAL MATERIAL : COPPER
 6. WIRE RANGE : 22-16 A.W.G.(0.5-1.5 mm²)
 7. TERMINALS SURFACE TREATMENT : TIN PLATED
 8. TERMINALS THICKNESS : 0.75 mm

| | |
|------------------|---------------------|
| Tolerance Unless | |
| △ | Otherwise Specified |
| 0 > | mm ± |
| > | mm ± |
| > | mm ± |
| > | mm ± |
| | ANGLE |
| | ° REF ± |
| | ° ± |
| | ° ± |

| | | | | | | |
|----------|-------------------------------|----------|-------|---------|---------|--|
| NAME | NYLON-INSULATED PIN TERMINALS | | | | UNIT | |
| PART NO. | 11832 | MATERIAL | ----- | APPROVE | | |
| NUMBER | | SCALE | SHEET | PAGE | CHECKED | |
| DATE | 2006/08/09 | 4/1 | 1-3 | 10F1 | DRAWN | |

Morris Products Inc.
53 Carey Rd. Queensbury, NY 12804