



**Catalog Number** 11906  
**UPC Number** 60198611906  
**Description** Nylon Insulated Female Disconnect Connectors  
22-16 AWG

#### Features

- Nylon Color Coded insulation for easy identification
- Manufactured from high strength copper alloy
- Electro-tin plated for corrosion resistance
- Expanded insulation eliminates strand “Hang Up”, provides strain relief & excellent UV, temperature and chemical resistance
- Wire range stamped on the surface for easy interpretation
- Brazed seams prevent splitting under maximum pressure
- Serrated barrel provides excellent electrical contact & pull-out force resistance

#### General

Insulation Type Nylon  
Material Brass  
Finish Electro-Tin Plated  
Color Red  
Wire Range 22-16  
Tab Size .020 X .187

#### Dimension Information

Stock Thickness 0.016  
L Inches (mm) 0.787  
B Inches (mm) 0.433  
C Inches (mm) 0.067  
D Inches (mm) 0.157  
F Inches (mm) 0.252  
W Inches (mm) 0.197

#### Specifications

Temperature Rating 105°C  
Voltage Rating 300 V  
Flammability Rating UL94V-O  
Amp Rating 22 AWG 9 Amps  
20 AWG 12 Amps  
18 AWG 17 Amps  
16 AWG 18 Amps

#### Packaging

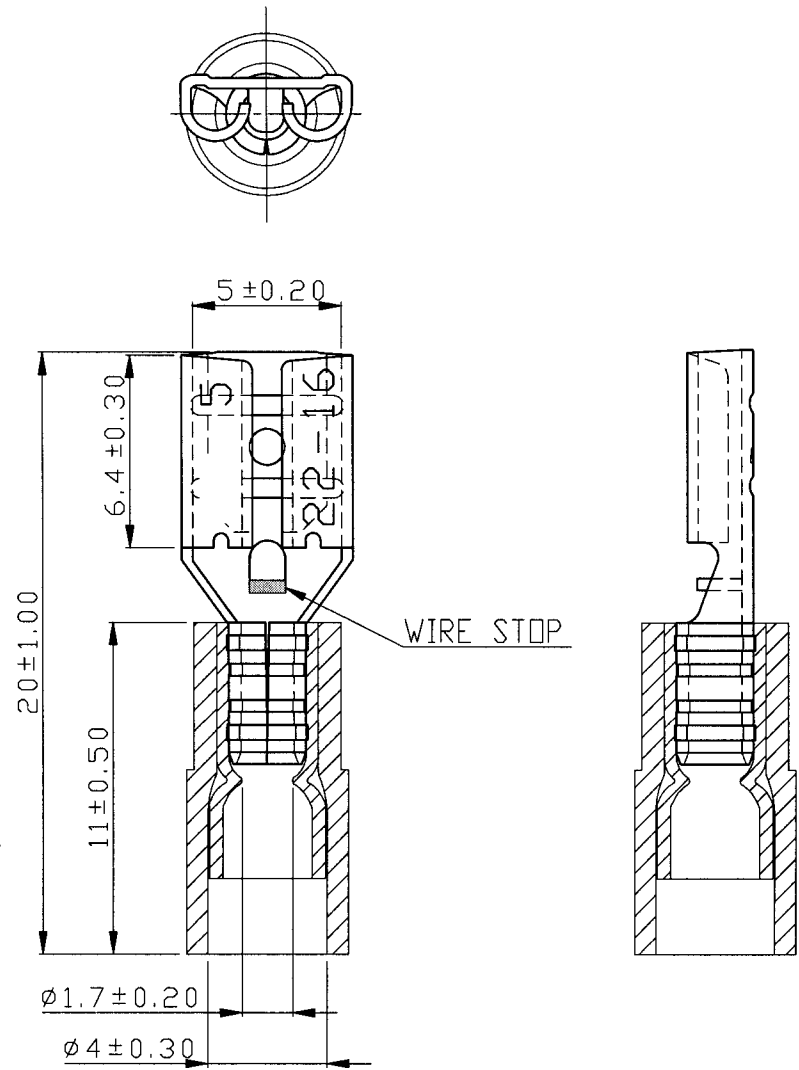
Bag Qty 100  
Master Bag Qty 1000

#### Certifications

UL Yes  
cUL Yes  
RoHS Yes



REV	DESCRIPTION	DATE
-----	-------------	------



NOTE :

1. MAXIMUM ELECTRIC CURRENT : 

A.W.G.	22	20	18	16
AMP.	3	4	7	10
2. MAXIMUM ELECTRICAL RATING : 105°C 600 VOLTS MAX.
3. INSULATION MATERIAL : NYLON
4. INSULATION COLOR : RED
5. TERMINAL MATERIAL : BRASS
6. WIRE RANGE : 22-16 A.W.G. ( 0.5-1.5 mm<sup>2</sup> )
7. NEMA TAB : 0.020 inch \* 0.187 inch ( 0.5 mm \* 4.75 mm )
8. DOUBLE CRIMP : WITH COPPER SLEEVE ON BARREL
9. TERMINAL SURFACE TREATMENT : TIN PLATED
10. TERMINAL THICKNESS : 0.35 mm

Tolerance Unless Otherwise Specified	
0 > 6 mm ± 0.20	ANGLE
6 > 18 mm ± 0.30	0° REF ±
18 > 30 mm ± 0.40	° ±
30 > 75 mm ± 0.50	° ±

NAME	NYLON-INSULATED DOUBLE CRIMP FEMALE DISCONNECTORS			UNIT	
PART NO.	11906	MATERIAL	-----	APPROVE	
NUMBER		SCALE	SHEET	PAGE	CHECKED
DATE	2006/09/06	4/1	1-0	10F2	DRAWN

Morris Products Inc.